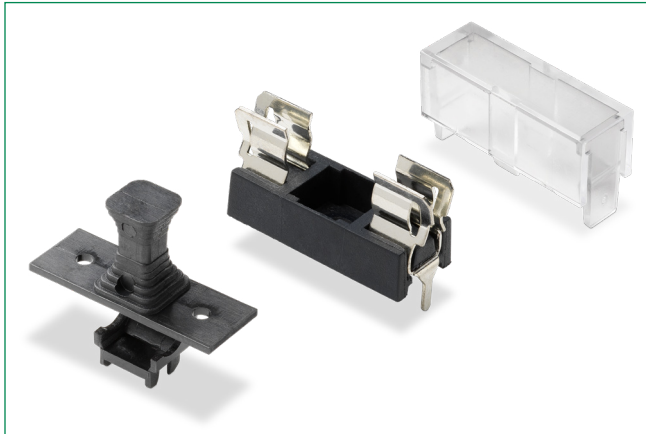


# 646 Series

## Molded Base Fuse Block For 5×20mm Fuses



### Product Characteristics

| Compatible Fuse Sizes         | For 5×20mm Fuses   |
|-------------------------------|--|
| <b>Materials</b>              | <b>Holder:</b> Black Thermoplastic, UL94 V-0 Polyamide PA 6.6                      |
|                               | <b>Cover:</b> Transparent Thermoplastic, UL94 V-0, Polycarbonate PC                |
|                               | <b>Adapter:</b> Polyester PBT, UL94 V-0  |
|                               | <b>Metal Parts:</b> Tin plated Copper alloy  |
| <b>Electrical Data (23°C)</b> | <b>Rated Voltage:</b> 250V   |
|                               | <b>Max. Current/Power:</b> 6.3A/2.5W 5A/1W (with No. 648) 6.3A/1.6W (with No. 640) |
| <b>Mounting</b>               | Solder pins 0.5mm×1.2mm Ø 3mm<br>screw hole may be used optionally                 |
| <b>Minimum Cross Section</b>  | Conducting path - 0.2mm <sup>2</sup>   |
| <b>Unit Weight</b>            | 1.6g (Holder), 1.0g (Cover),<br>1.0g (Adapter)                                     |

Note: If used with cover, refer to [Fuseology](#) for information on proper fuse block re-rating.

### Additional Information



Resources



Accessories



Samples

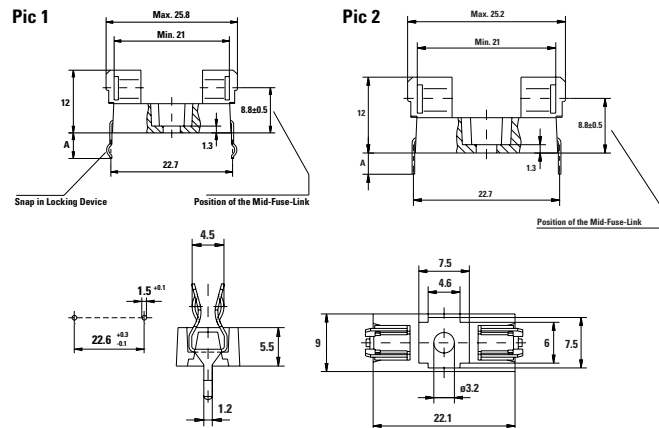
### Ordering Information

| Ordering PN | Description | Pic | Meas. "A" | For PCB-Thickness |
|-------------|-------------|-----|-----------|-------------------|
| 64600001003 | Fuse Block  | 1   | 5mm       | 3mm               |
| 64600001223 | Fuse Block  | 1   | 3.2mm     | 1.5mm             |
| 64600001233 | Fuse Block  | 2   | 3.3mm     | 1.5mm             |

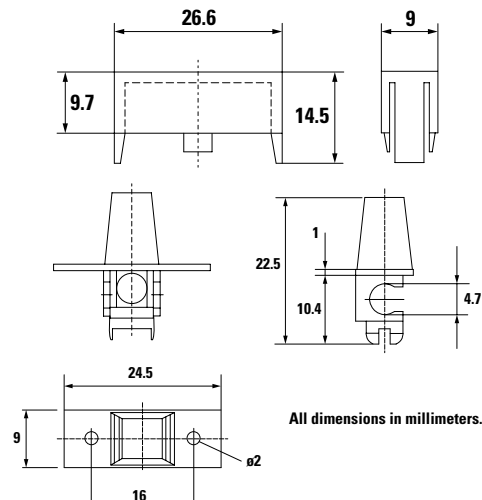
| Ordering PN | Description        | Fuse PN      | Block PN   |
|-------------|--------------------|--------------|------------|
| 64612007113 | Fuse & Block Assy. | 0215002.MXP  | 6460001233 |
| 64612007123 | Fuse & Block Assy. | 0219002.MXAP |            |
| 64614007143 | Fuse & Block Assy. | 0218004.MXP  |            |

| Ordering PN | Description      |
|-------------|------------------|
| 64000001003 | Adapter - Black  |
| 64000001403 | Adapter - Brown  |
| 64000001503 | Adapter - White  |
| 64000001603 | Adapter - Yellow |
| 64000001703 | Adapter - Green  |
| 64000001903 | Adapter - Blue   |
| 64800001009 | Clear Cover      |

### Dimensions



### Recommended Hole Pattern



Note: 1.00 means the number one with two decimal places. 1,000 means the number one thousand. Contact Littelfuse for an auto-insertable fuse, holder and adapter assembly.

**Disclaimer Notice** - Information furnished is believed to be accurate and reliable. However, users should independently evaluate the suitability of and test each product selected for their own applications. Littelfuse products are not designed for, and may not be used in, all applications. Read complete Disclaimer Notice at: [www.littelfuse.com/disclaimer-electronics](http://www.littelfuse.com/disclaimer-electronics).