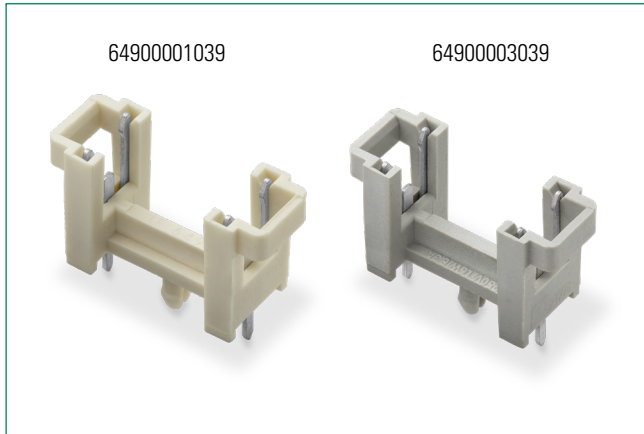


# 649 Series

## Molded Fuse Block, PC Mount for 5x20mm Fuses



### Product Specifications

<b>Compatible Fuse Size</b>	5 x 20 mm standard cartridge fuse	
<b>Ordering Number</b>	64900001039	64900003039
<b>Materials</b>	<b>Holder:</b> Tan thermoplastic PA66 UL94 V-0	<b>Holder:</b> Grey Thermoplastic, PA 66 UL94 V-0
	<b>Metal Parts:</b> Tin Plated Copper Alloy	
<b>Electrical Data</b>	<b>Rated Voltage:</b> 250V <b>Max. Current/Power:</b> 6.3A/1.6W	
<b>Mounting</b>	Solder pins 0.5 x 1.0mm and plastic stud	
<b>Operating Temperature</b>	-30°C to +85°C	
<b>Stock Conditions</b>	+10°C to +60°C relative humidity ≤ 75% yearly average, without dew, maximum value for 30 days - 95%	
<b>Contact Resistance</b>	≤ 5mΩ	
<b>Isolation Resistance</b>	10 <sup>2</sup> MΩ	
<b>Solderability</b>	235°C, 2 sec. (soldering bath; IEC 60068-2-20)	
<b>Soldering Heat Resistance</b>	260°C, 10 sec. (soldering bath; IEC 60068-2-20)	
<b>Minimum Cross Section</b>	Conducting path - 0.2mm <sup>2</sup>	
<b>Unit Weight</b>	1.2g	

### Additional Information



Resources



Accessories



Samples

### Agency Approvals

Agency	Agency File Number
	E14721
	40015067

### Ordering Information

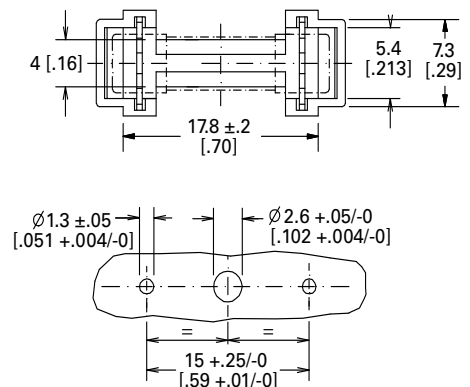
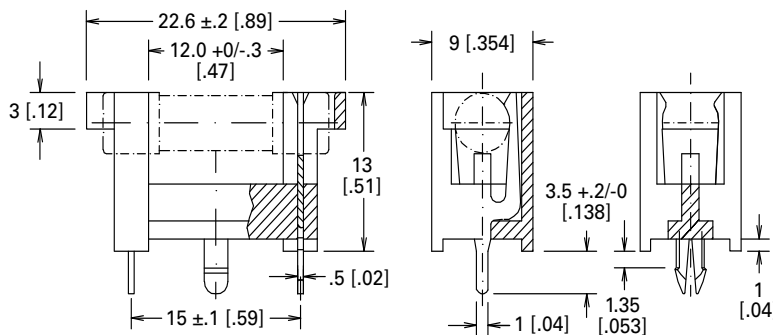
Ordering PN	Description	Packaging
64900001039	Block Holder for 5x20 big box	Bulk (3000pcs)
64900003039	Block Holder for 5x20 MM GW	Bulk (3000pcs)

**Notes:**

1. Ensure that proper fuse re-rating is factored in fuseholder selection.

### Dimensions

Dimensions in millimeter [inch]



Dimensions of holes in the printed circuit board.  
Thickness of printed circuit board: 1.6 ± 0.14 [0.063 ± 0.005]

**Disclaimer Notice** - Information furnished is believed to be accurate and reliable. However, users should independently evaluate the suitability of and test each product selected for their own applications. Littelfuse products are not designed for, and may not be used in, all applications. Read complete Disclaimer Notice at: [www.littelfuse.com/disclaimer-electronics](http://www.littelfuse.com/disclaimer-electronics).