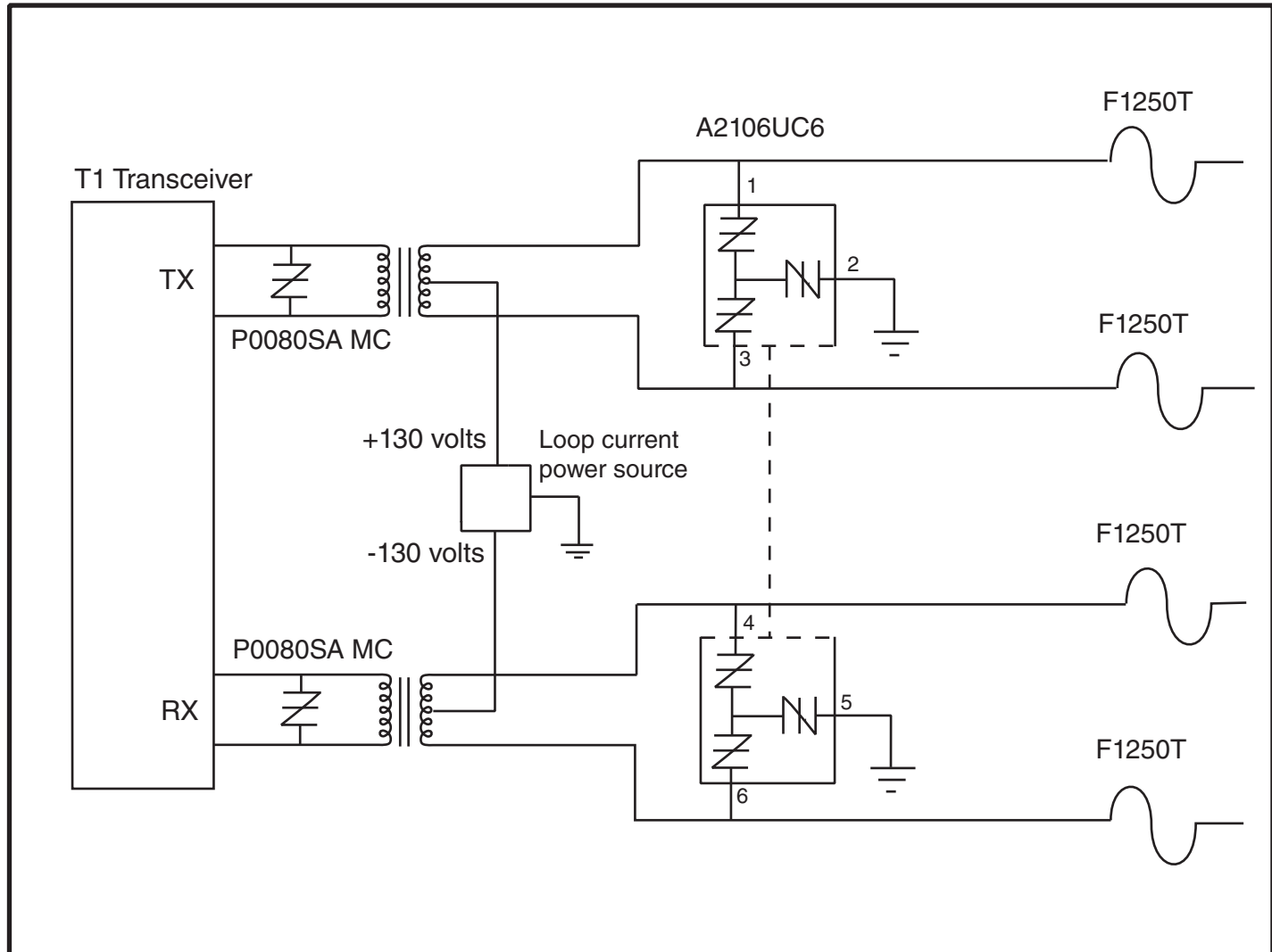


T1/E1/J1 Asymmetrical Protection



The A2106UC6 surface mount **SIDACTor**[®] device provides asymmetrical protection for T1/E1 transceivers. Longitudinal events will be limited to voltage levels less than 250 volts and metallic events will be limited to less than 80 volts on the line side of the transformer. The minimum turn on voltage for the A2106 is 170 volts from tip to ground and ring to ground. This is compliant with TIA-968 (formerly known as FCC Part 68) section 4.4.5.2 titled "Intentional paths to ground". The secondary side of the transformer has the P0080SA MC **SIDACTor**[®] device that will limit differential voltages to less than 25 volts.

The T1/E1 transceiver circuit is protected from AC power cross events (also known as over current events) by the F1250T **TeleLink**[®] fuses. The **TeleLink**[®] fuses in combination with the **SIDACTor**[®] devices provide a robust solution for compliance with the requirements of GR 1089, TIA-968, and UL 60950.

Littelfuse
 8755 Higgins Road
 Chicago Illinois 60631
 United States of America

Web site: <http://www.littelfuse.com>

Ref. data sheet: T1E1J1 Asymm Prot - 030529

Please call the factory for further information.

SIDACTor and TeleLink are registered trademarks of Littelfuse.