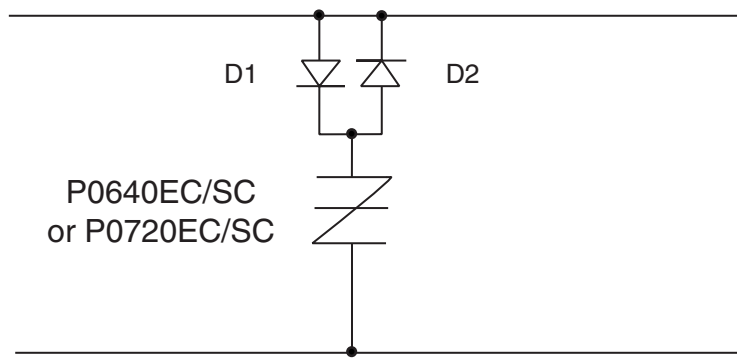




T3 PROTECTION



The capacitance across the pair of wires = (D1 || D2) + P0640EC/SC. The diode capacitance is approximately (10 pF || 10 pF) 20 pF. Then adding the capacitive effect of the P0640EC/SC, which is typically 120 pF, the total capacitance across the pair of wires is approximately 17 pF. The MUR 1100E diodes (the MURS160T3 is a surface mount equivalent) are fast switching diodes that will exhibit this level of capacitance.

TECCOR ELECTRONICS
1800 Hurd Drive
Irving, Texas 75038-4385
United States of America

Phone: +1 972-580-7777
Fax: +1 972-550-1309
E-mail: sidactor.techsales@teccor.com
Web site: <http://www.teccor.com>

Please call the factory for further information.
Data Sheet: T3 Protection
July 2003

SIDACTor[®] is a registered trademark
of Teccor Electronics