

Class J Fuse Blocks

600 Volt



Class J 600V

| Amp Rating | No. of Poles | Catalog Number | Connector Type (Add Suffix Shown) | | | Maximum Wire Size |
|------------|--------------|----------------|-----------------------------------|----------------|---------|-----------------------------|
| | | | Screw | Pressure Plate | Box Lug | |
| 30 | 1 | LJ60030-1 | S (R) | P (R) | C (R) | S & P = #10 CU C = #6 CU |
| | 2 | LJ60030-2 | S (R) | P (R) | C (R) | |
| | 3 | LJ60030-3 | S (R) | P (R) | C (R) | |
| | Adder | LJ60030-A | S (R) | P (R) | C (R) | |
| 60 | 1 | LJ60060-1 | | | C (R) | C = #2 CU-AL |
| | 2 | LJ60060-2 | | | C (R) | |
| | 3 | LJ60060-3 | | | C (R) | |
| 100 | 1 | LJ60100-1 | | | CR | #2/0 CU-AL |
| | 3 | LJ60100-3 | | | CR | |
| 200 | 1 | LJ60200-1 | | | C | 250 MCM CU-AL |
| | 3 | LJ60200-3 | | | C | |
| 400 | 1 | LJ60400-1 | | | CR | (2) 350 MCM CU-AL |
| | 3 | LJ60400-3 | | | CR | |
| 600 | 1 | LJ60600-1 | | | CR | (2) 500 MCM CU-AL |
| | 3 | LJ60600-3 | | | CR | |

Note: Reinforcing springs standard on all Class J fuse blocks rated 100A and above.

*For optional fuse block covers, refer to POWR-Covers section of this catalog. For reinforcing clips on blocks rated 30-60 amp, add "R" suffix to connector type.

Features/Benefits

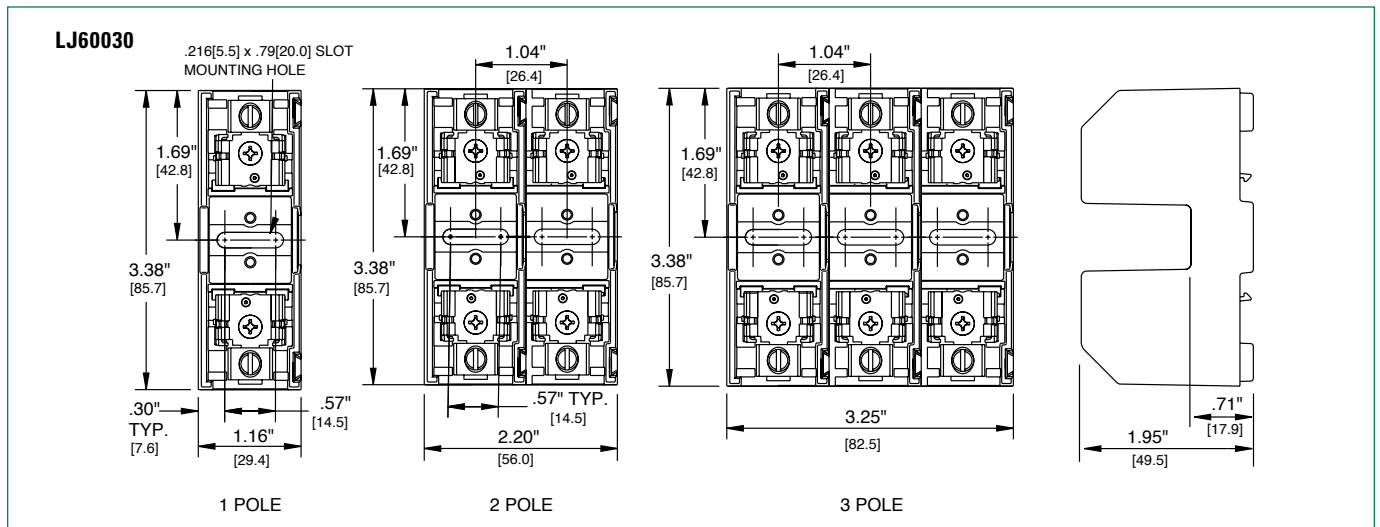
- Phenolic blocks have side barriers for isolation.
- Spring reinforced fuse clips are standard on 100A and larger blocks. Reinforcing springs are optional on 30 and 60 amp blocks.
- **Space saving 30A design** — Up to 45% smaller than existing 30A fuse blocks. 30A interlocking adder block available to create any number of poles (consult factory for availability). Integral DIN rail mount allows this block to be securely fastened to 35 mm "hat" type DIN rails without the use of tools.

Specifications

- Voltage Ratings:** 600 Volts
- Ampere Ratings:** 0 – 600 amperes
- Approvals:** UL Listed: File No. E14721
CSA Certified: File No. LR73091

Recommended Fuses

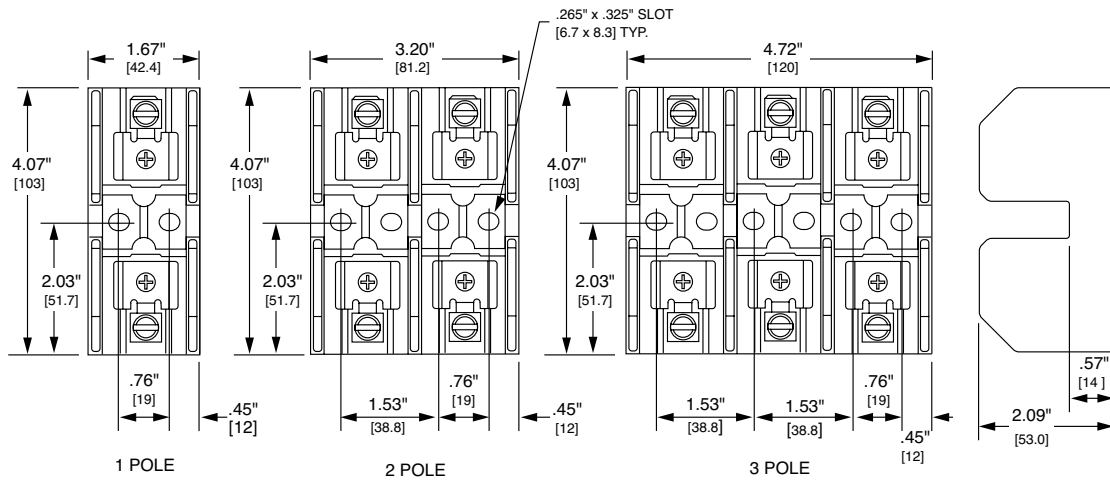
JTD_ID/JTD (time-delay) and JLS (fast acting) series fuses



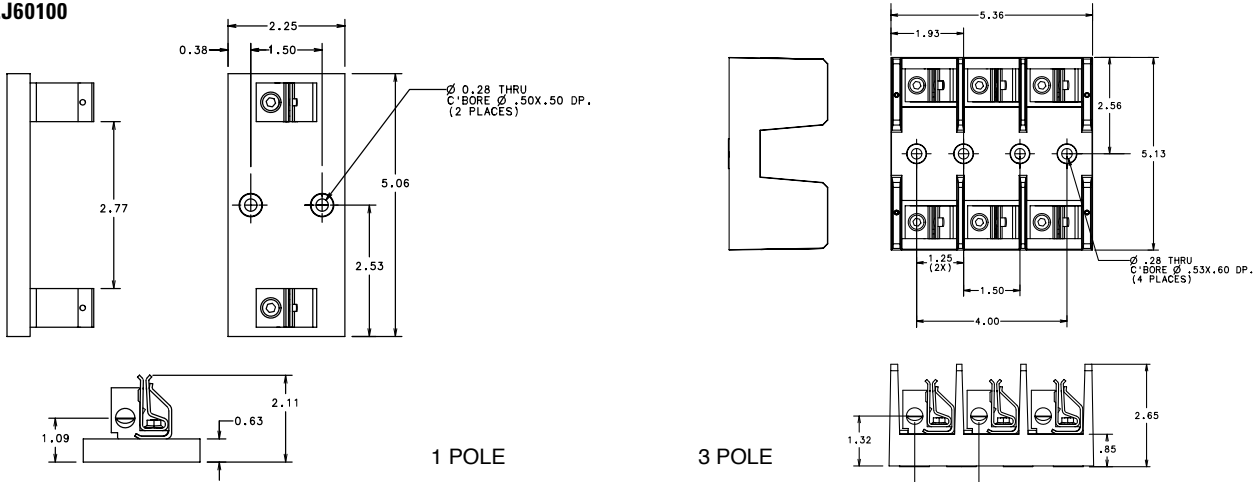
Class J Fuse Blocks

600 Volt

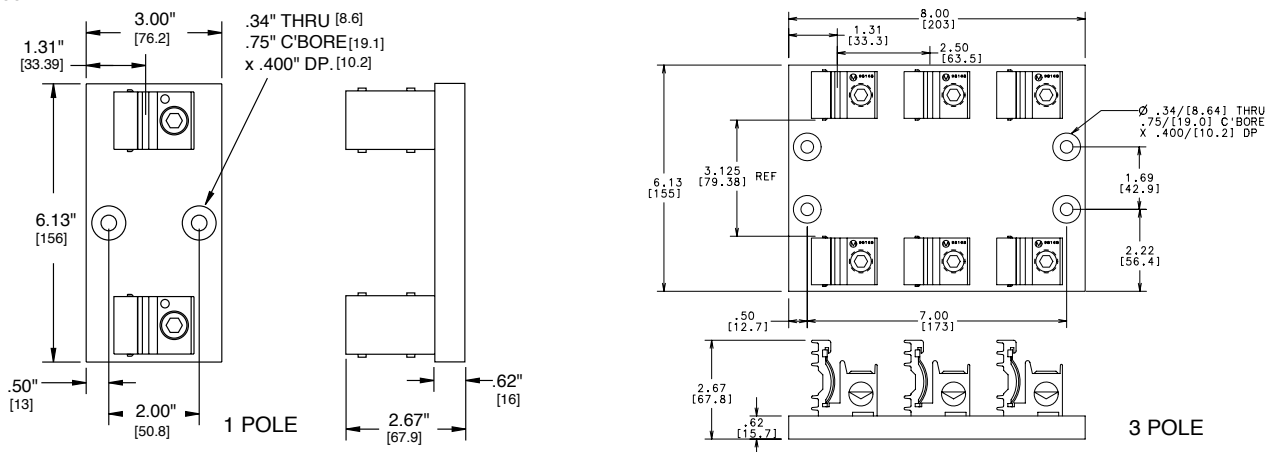
LJ60060



LJ60100



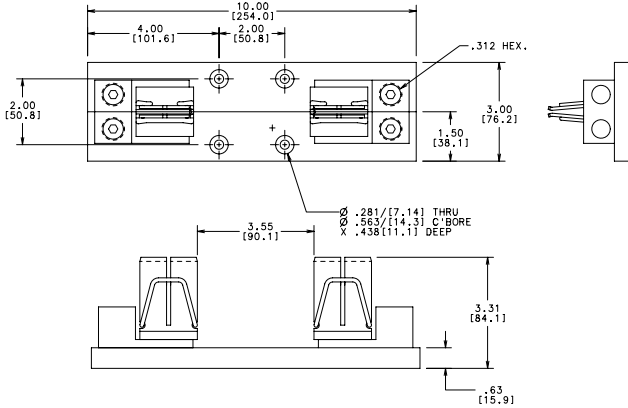
LJ60200



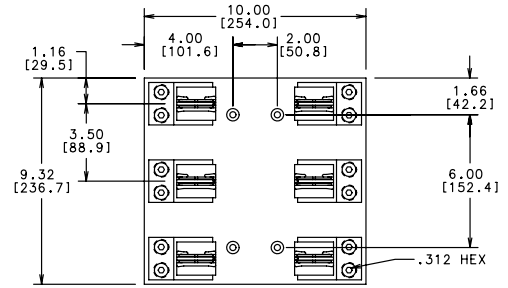
Class J Fuse Blocks

600 Volt

LJ60400

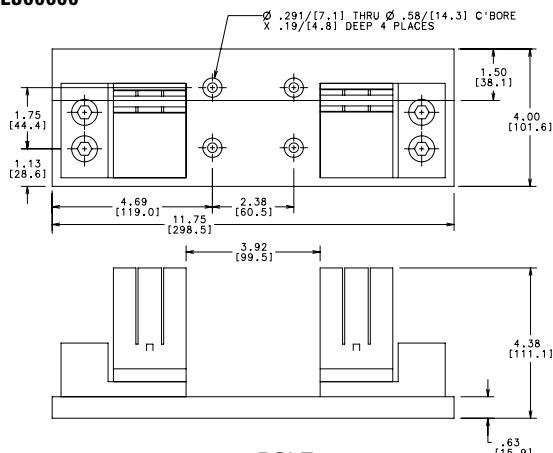


1 POLE

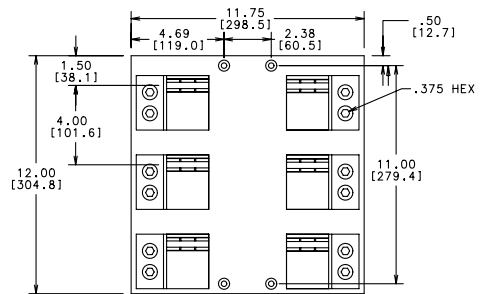


3 POLE

LJ60600



1 POLE



3 POLE