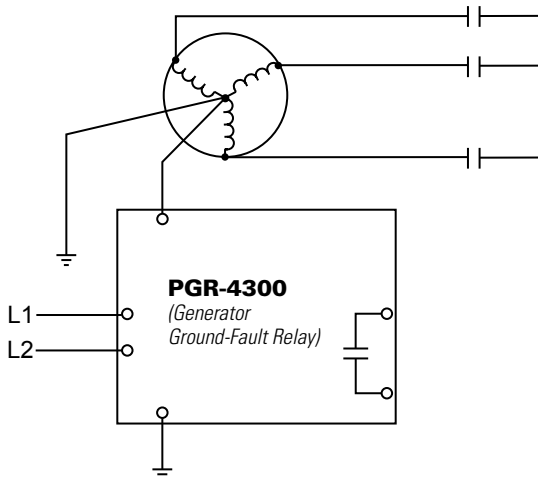


PGR-4300 SERIES

Generator Ground-Fault Relay



Simplified Circuit Diagram



Description

The PGR-4300 Generator Ground-Fault Relay provides a simple method for detecting a ground-fault condition on generators without the need for current transformers (CTs). This greatly simplifies the installation. In addition, it is compatible with both three- and four-pole transfer switches. This relay also monitors the neutral-to-ground path for continuity. The PGR-4300 is ideal for any generator or application where there is not sufficient space to install CTs.

Features & Benefits

FEATURES	BENEFITS
No CTs Required	Saves space and simplifies installation
Adjustable Pickup (100 - 1200 A)	Adjustable trip setting provides a wide range of protection and allows system coordination
Adjustable Time Delay (0 - 1.0 s)	Adjustable trip delay allows quick protection and system coordination
Output Contacts	Form C ground-fault output contacts for alarming or tripping purposes
Analog Output (0 - 1 mA)	Provides means for connecting to an optional meter (PGA-0500) or control system
N-G Continuity Alarm	Monitors neutral-to-ground integrity and alarms if ground path becomes open circuit
Passive Filtering	Eliminates nuisance tripping

Accessories



PGA-0500 Analog % Current Meter
Optional panel-mounted analog meter displays ground-fault current as a percentage of the set-point.

Ordering Information

CATALOG/SYSTEM NUMBER	CONTROL POWER
PGR-4300-12	12 Vdc
PGR-4300-24	24 Vdc
PGR-4300-120	120 Vac

ACCESSORIES	REQUIREMENT
PGA-0500	Optional
PMA-55	Optional
PMA-60	Optional

Note: For optional conformal coating please consult factory.

Specifications

IEEE Device Numbers	Ground Fault (50G/N, 51G/N)
Input Voltage	See ordering information
Dimensions	H 75 mm (3.0"); W 55 mm (2.2"); D 115 mm (4.5")
Trip Level Settings	100-1200 A
Trip Time Delay Settings	0-1.0 s
Contact Operating Mode	Non-fail-safe
Test Button	Local
Reset Button	Local and remote
Output Contacts	Form C
Approvals	UL listed
Analog Output	0-1 mA
Conformally Coated	Consult factory
Warranty	5 years
Mounting	DIN, Surface (standard) Panel (with PMA-55 or PMA-60 adapter)