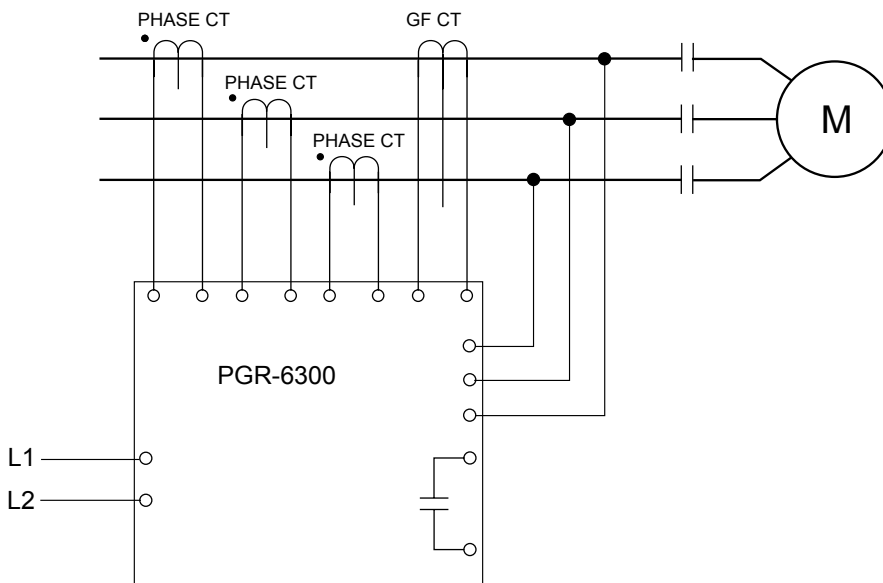
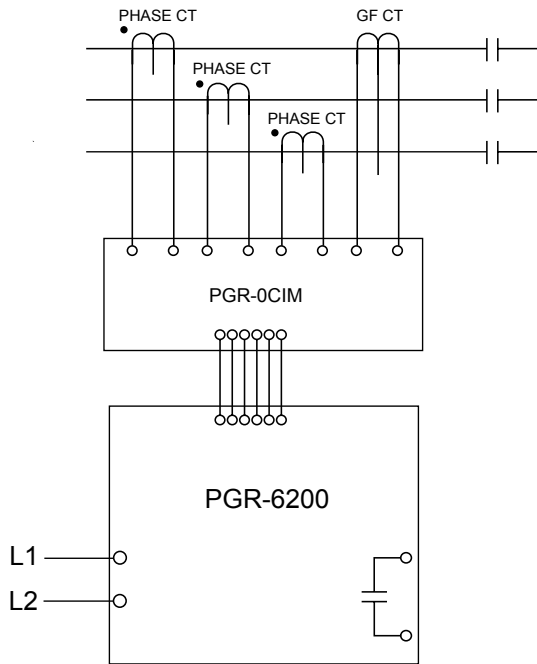




MOTOR PROTECTION

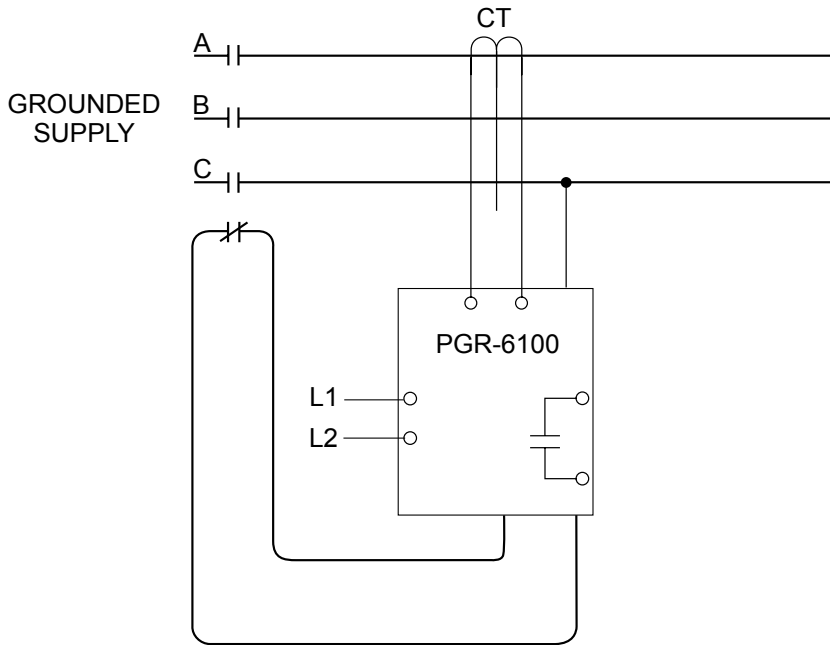
MOTOR PROTECTION UNIT



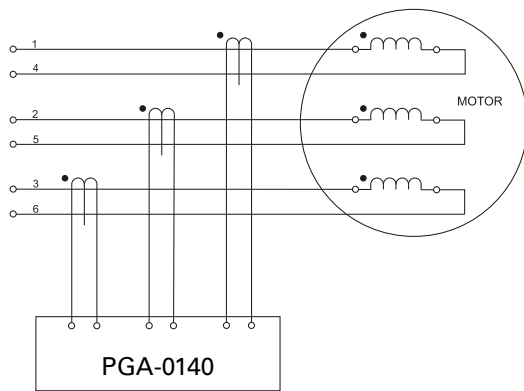


MOTOR PROTECTION

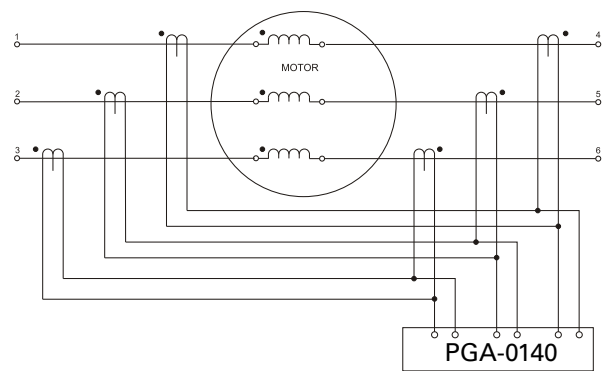
GROUND FAULT PROTECTION AND INSULATION MONITORING



MOTOR DIFFERENTIAL PROTECTION



Core-Balance Connection



Summation Connection