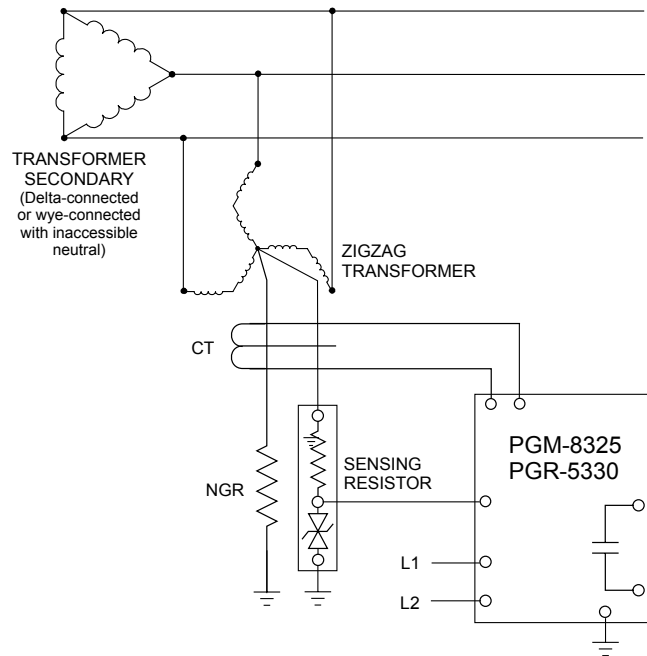
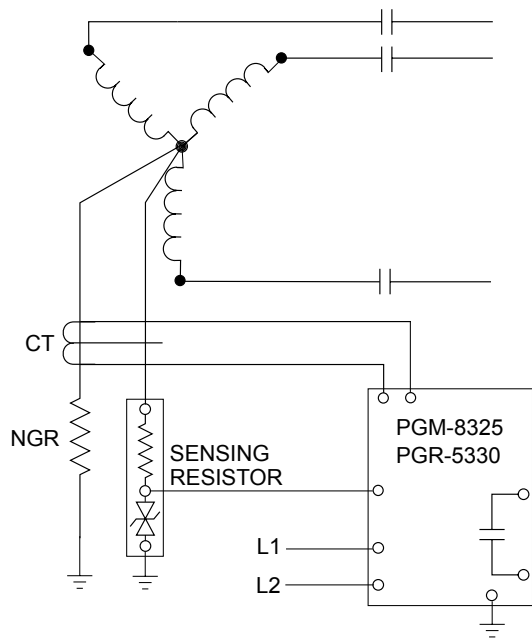


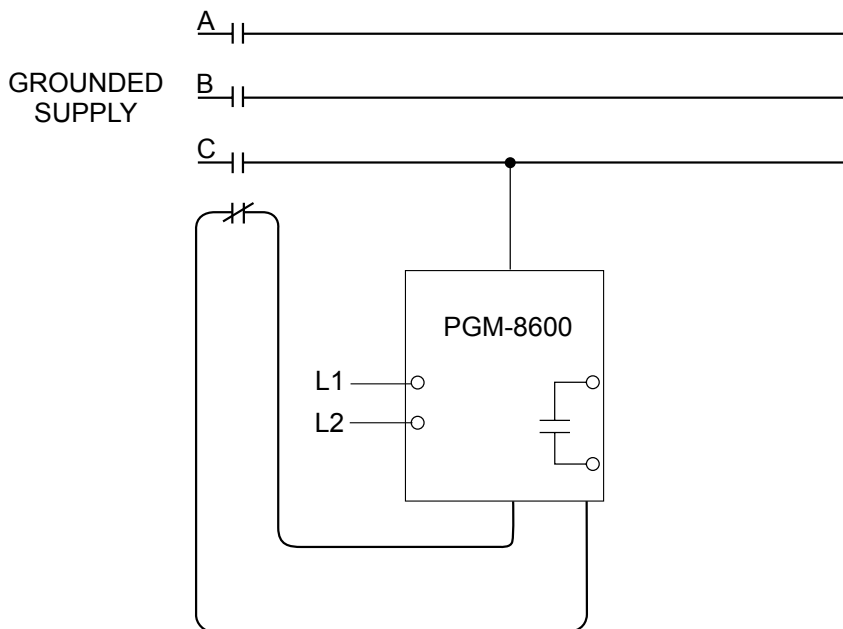


## SUPPLEMENTAL MONITORING

### RESISTOR MONITOR



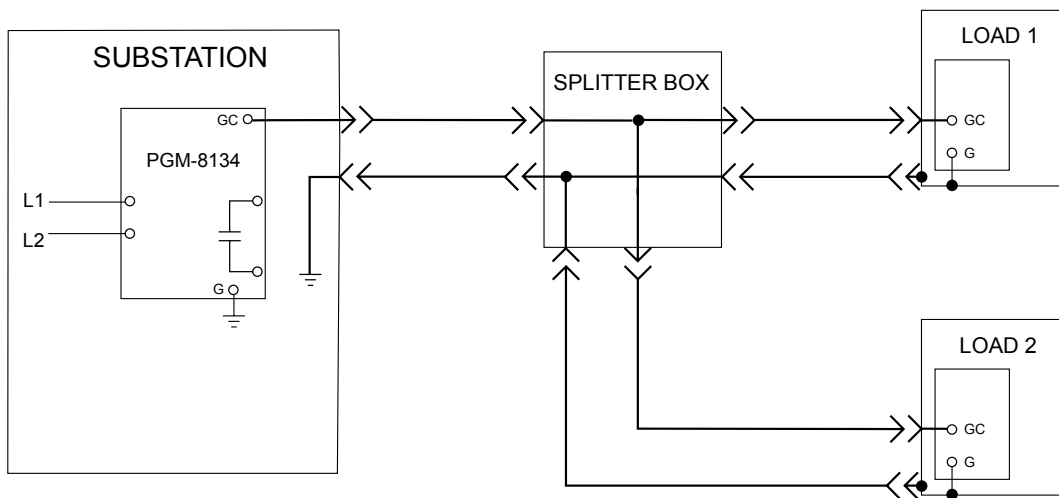
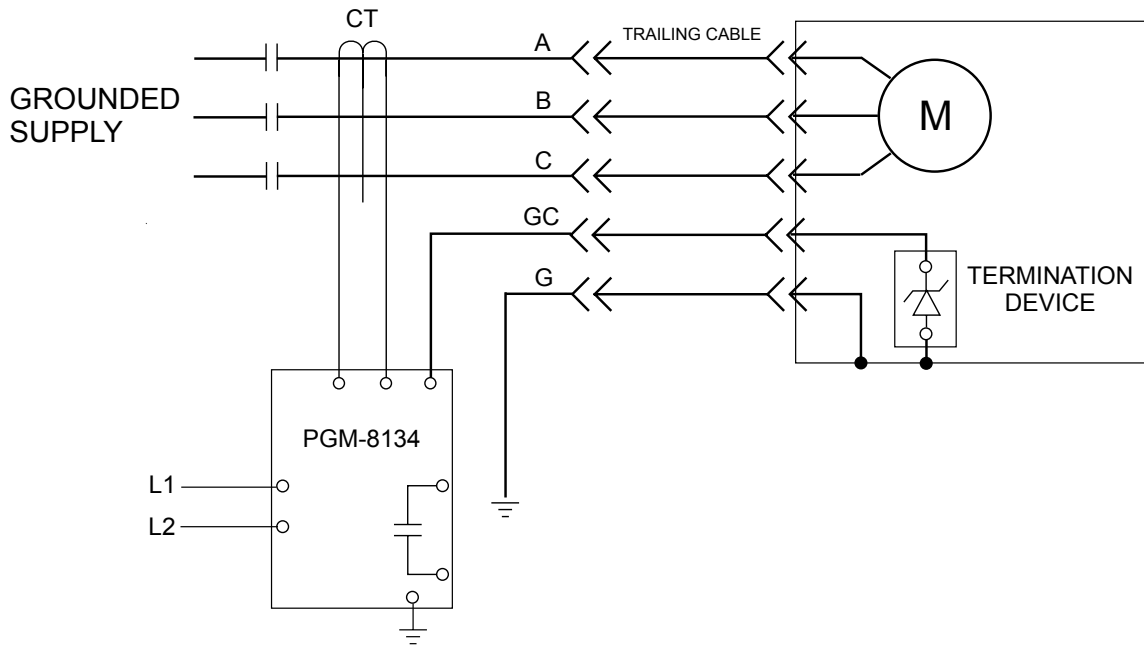
### INSULATION MONITOR





**SUPPLEMENTAL MONITORING**

**GROUND-FAULT GROUND-CHECK MONITOR**



**Note**  
Phase conductors not shown