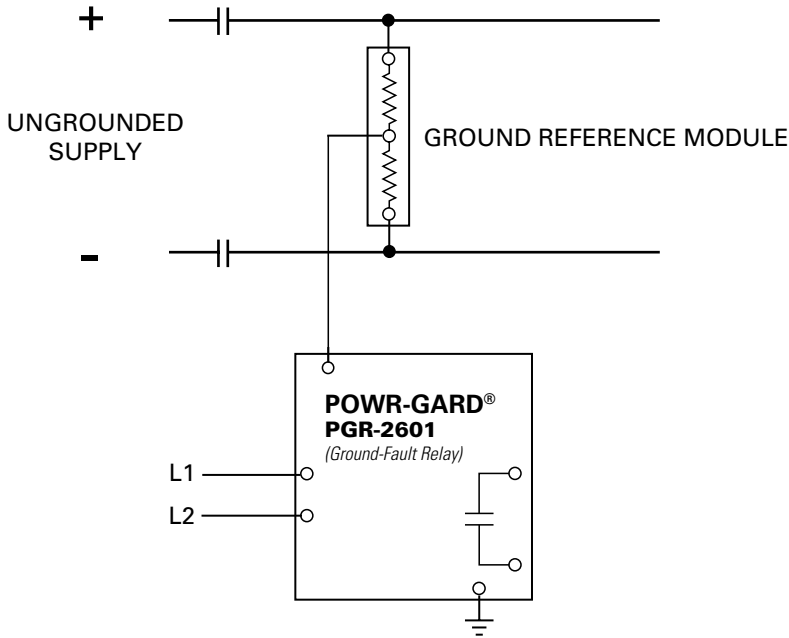


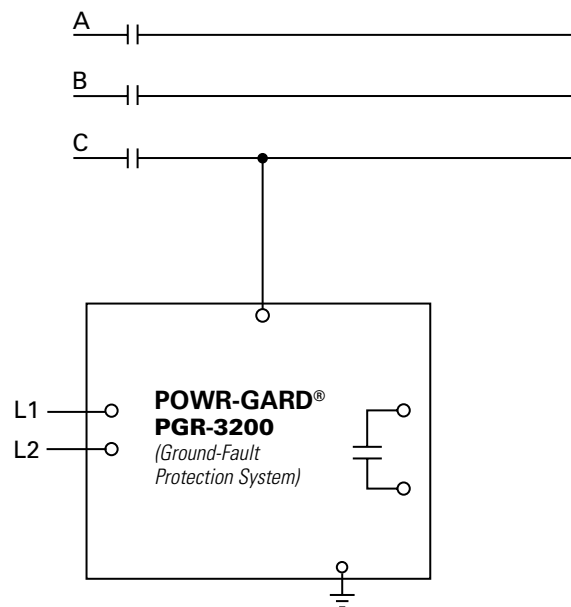
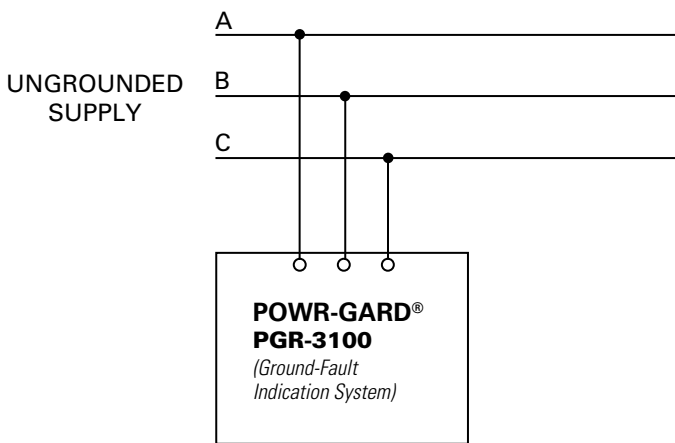


**GROUND FAULT PROTECTION**

**DC GROUND-FAULT PROTECTION**



**UNGROUNDED GROUND-FAULT DETECTION**

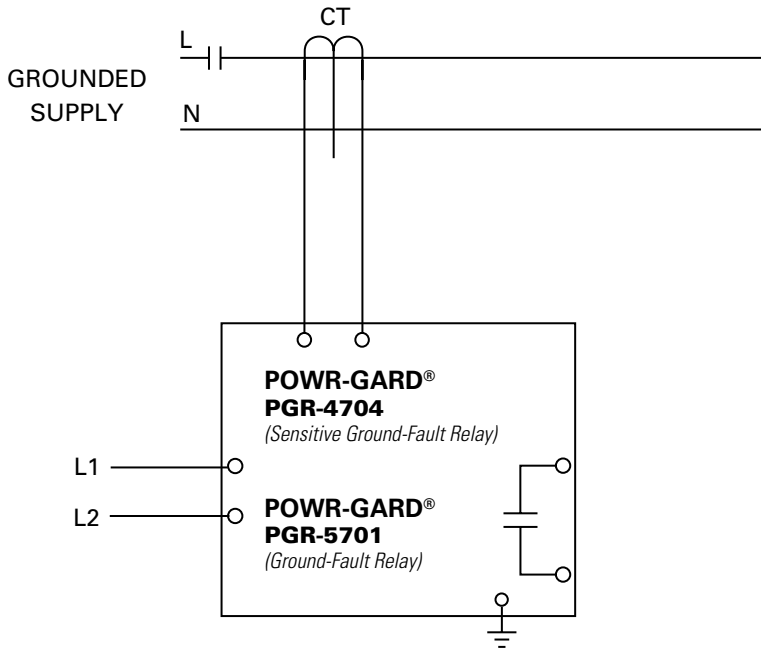


PROTECTION OVERVIEW

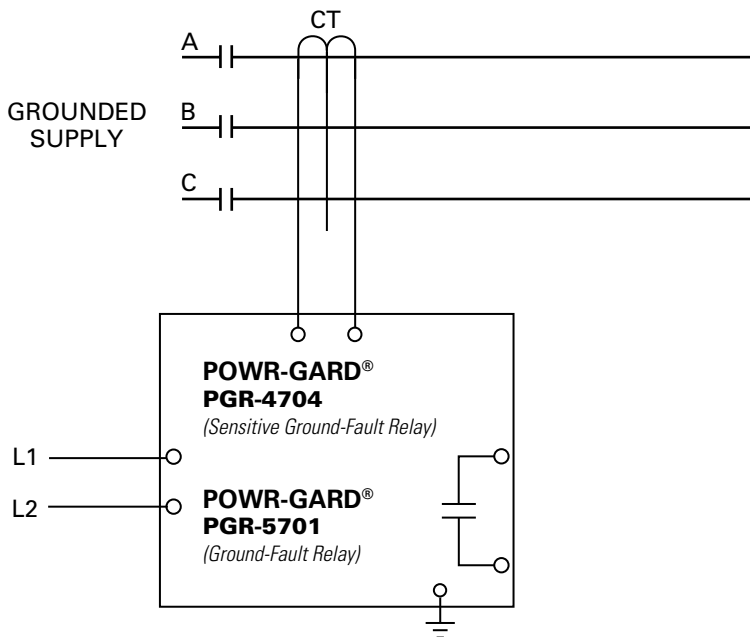


**GROUND FAULT PROTECTION**

**SINGLE-PHASE GROUND-FAULT PROTECTION**



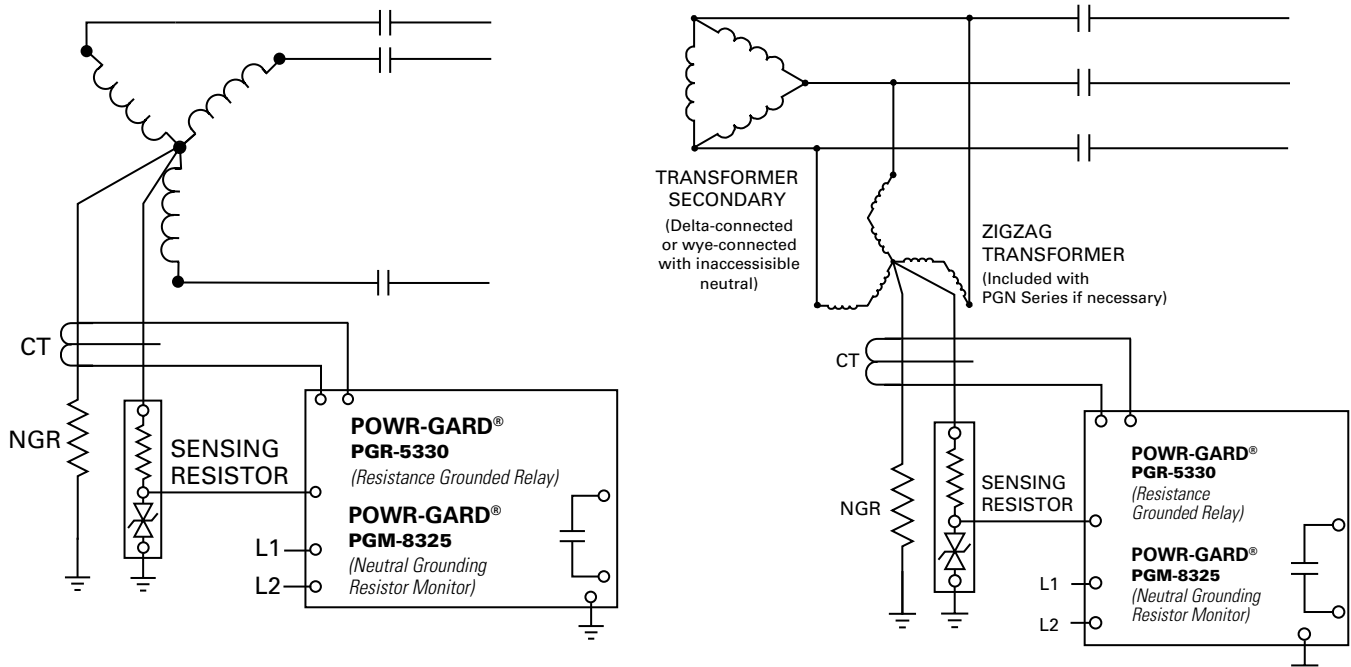
**THREE-PHASE GROUND-FAULT PROTECTION**



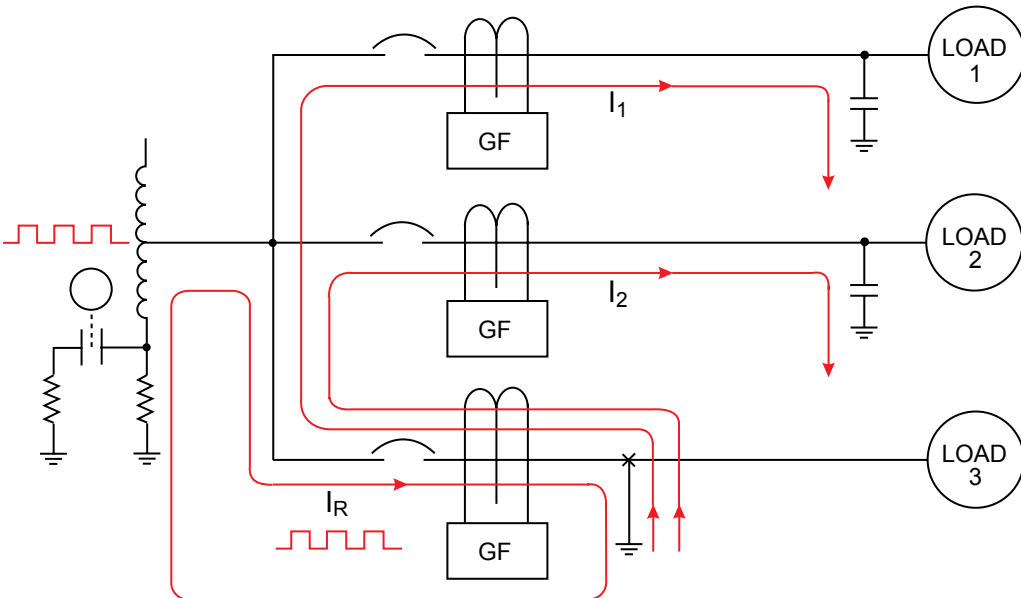
**GFP**

**GROUND FAULT PROTECTION**

**RESISTANCE GROUNDING**



**PULSING GROUND-FAULT SYSTEMS**

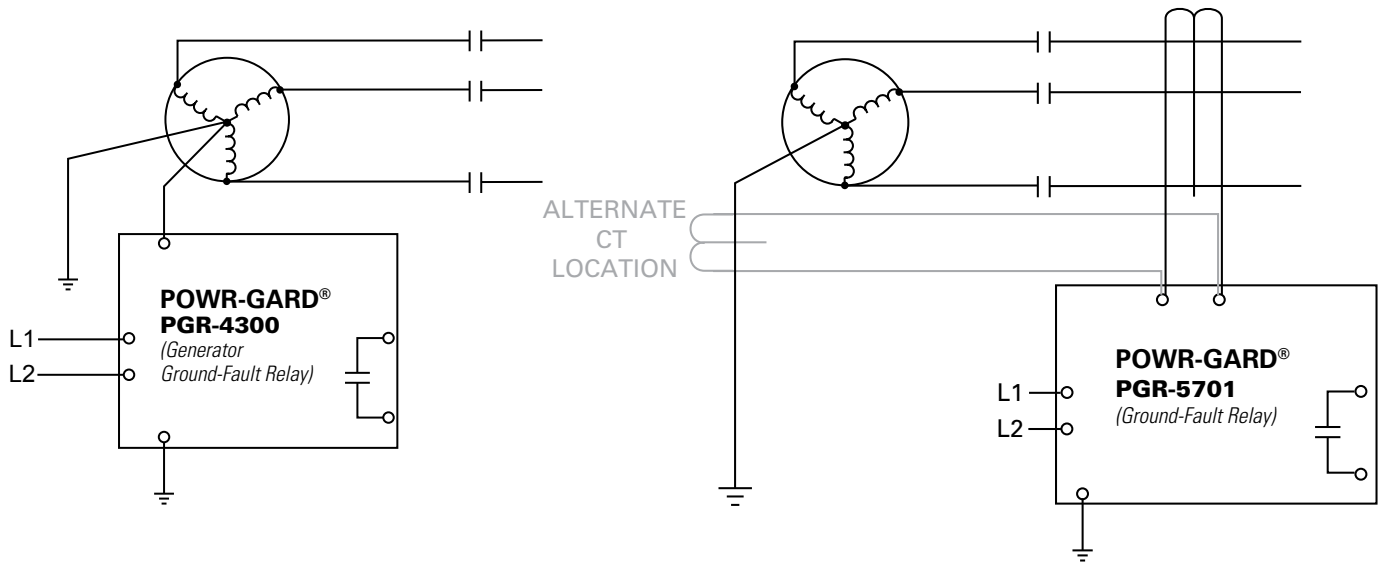


PROTECTION OVERVIEW

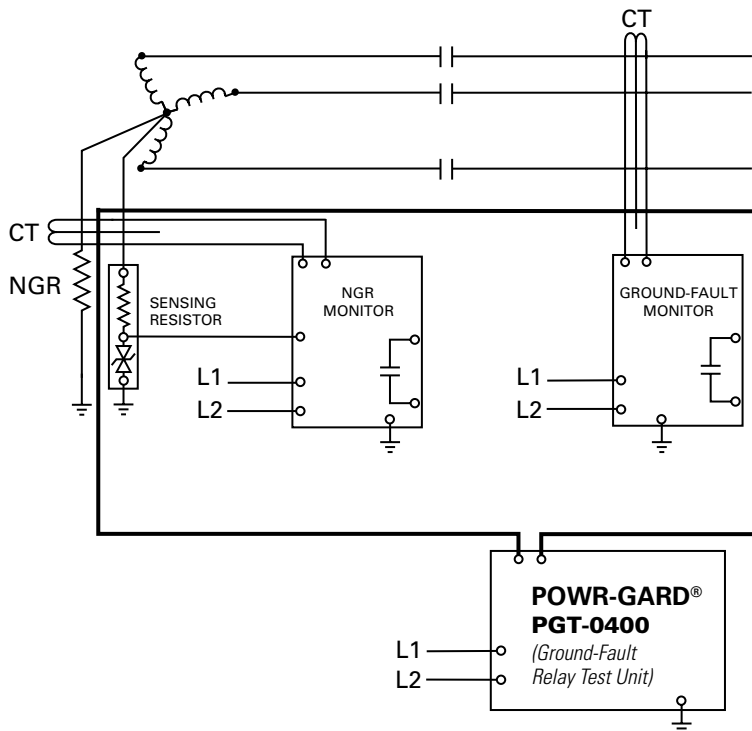


**GROUND FAULT PROTECTION**

**GENERATOR GROUND-FAULT PROTECTION**



**GROUND-FAULT-RELAY TEST UNIT**



P

PROTECTION OVERVIEW