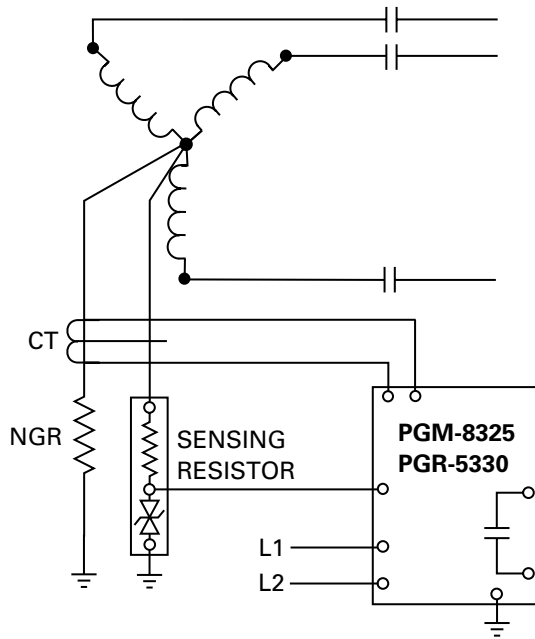


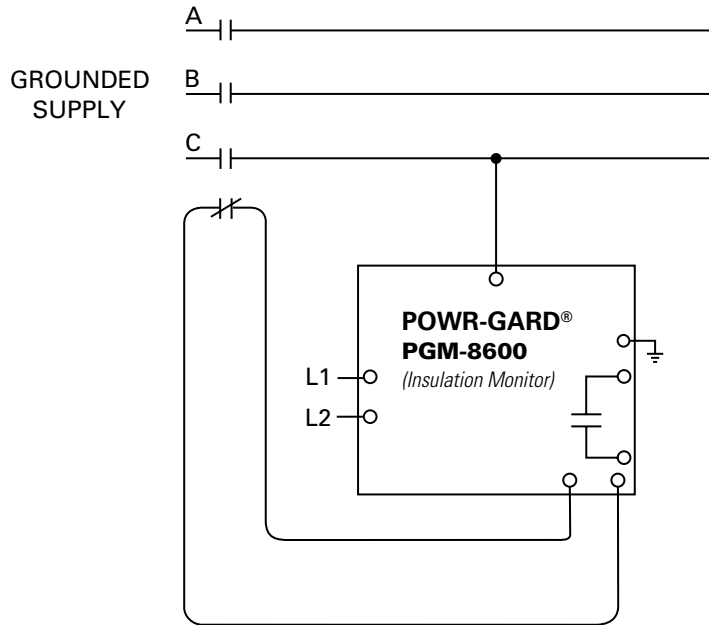


SUPPLEMENTAL MONITORING

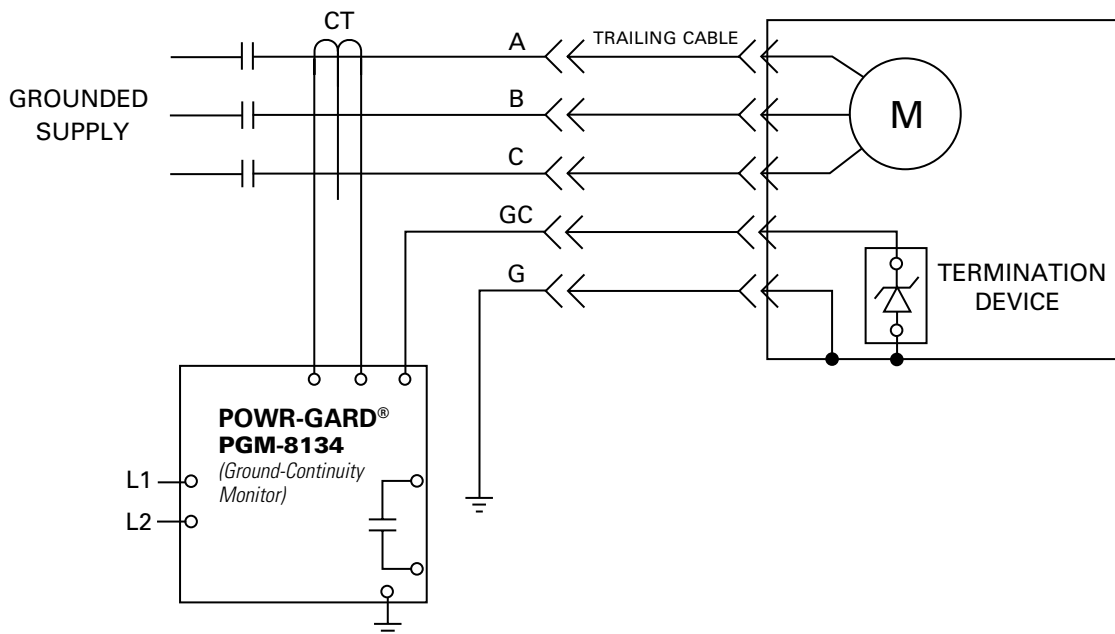
RESISTOR MONITOR



INSULATION MONITOR



GROUND-FAULT GROUND-CHECK MONITOR



P

PROTECTION OVERVIEW