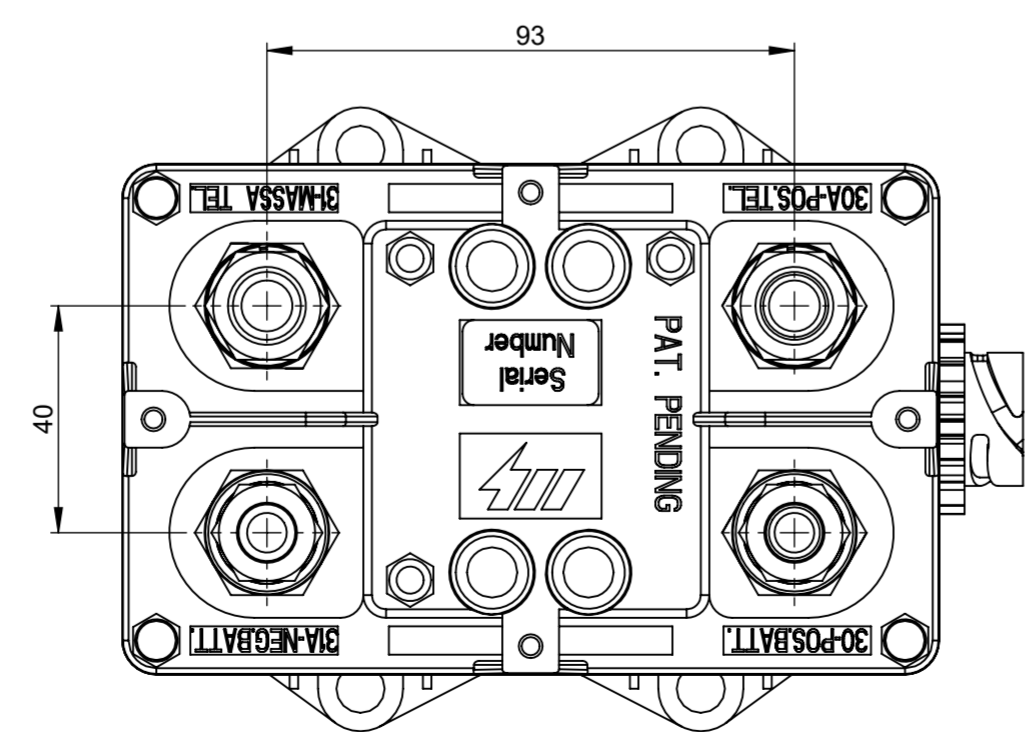
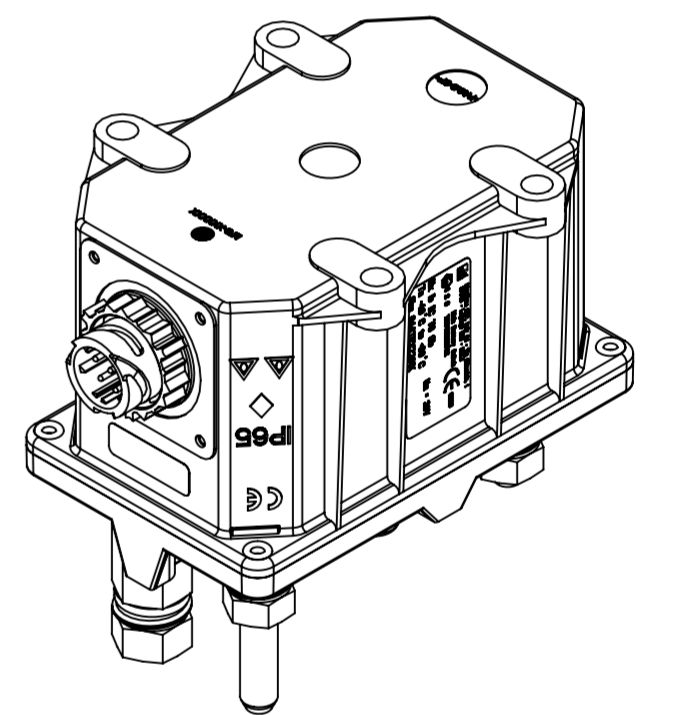
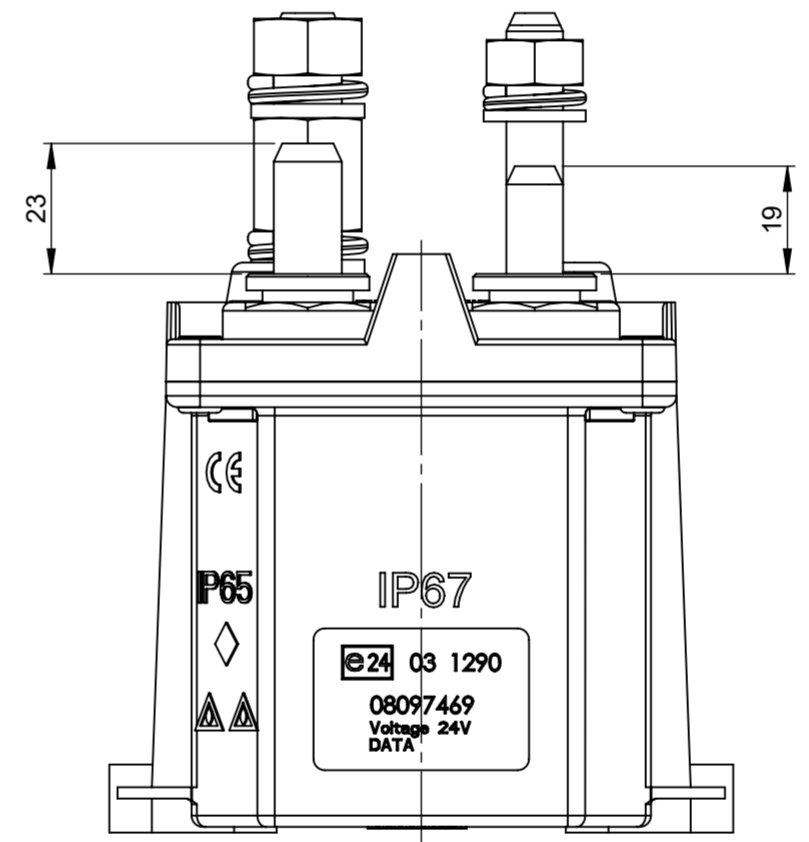
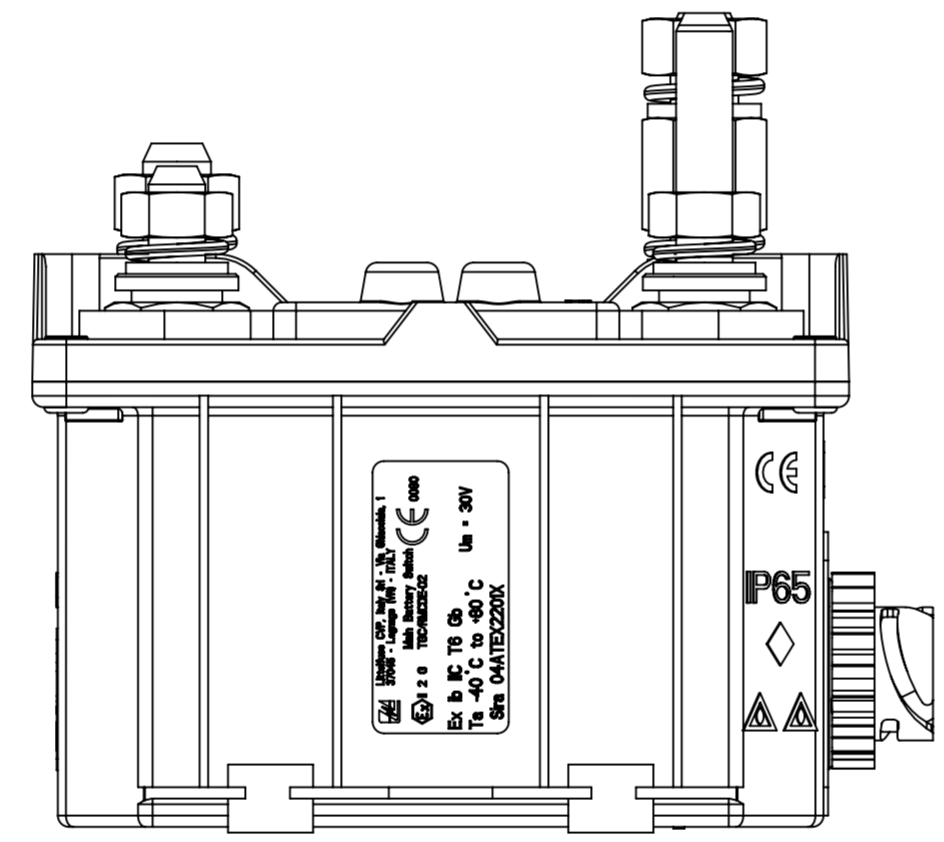
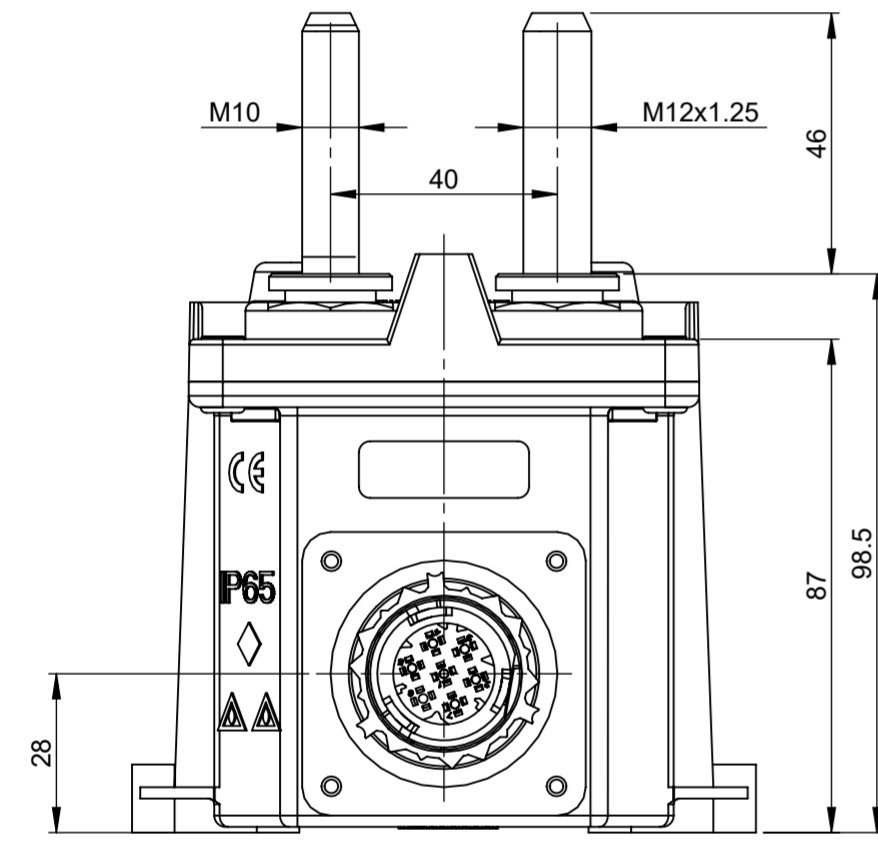
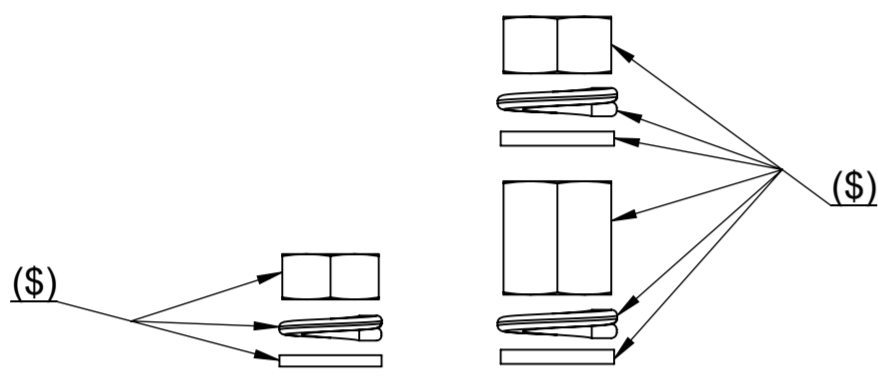
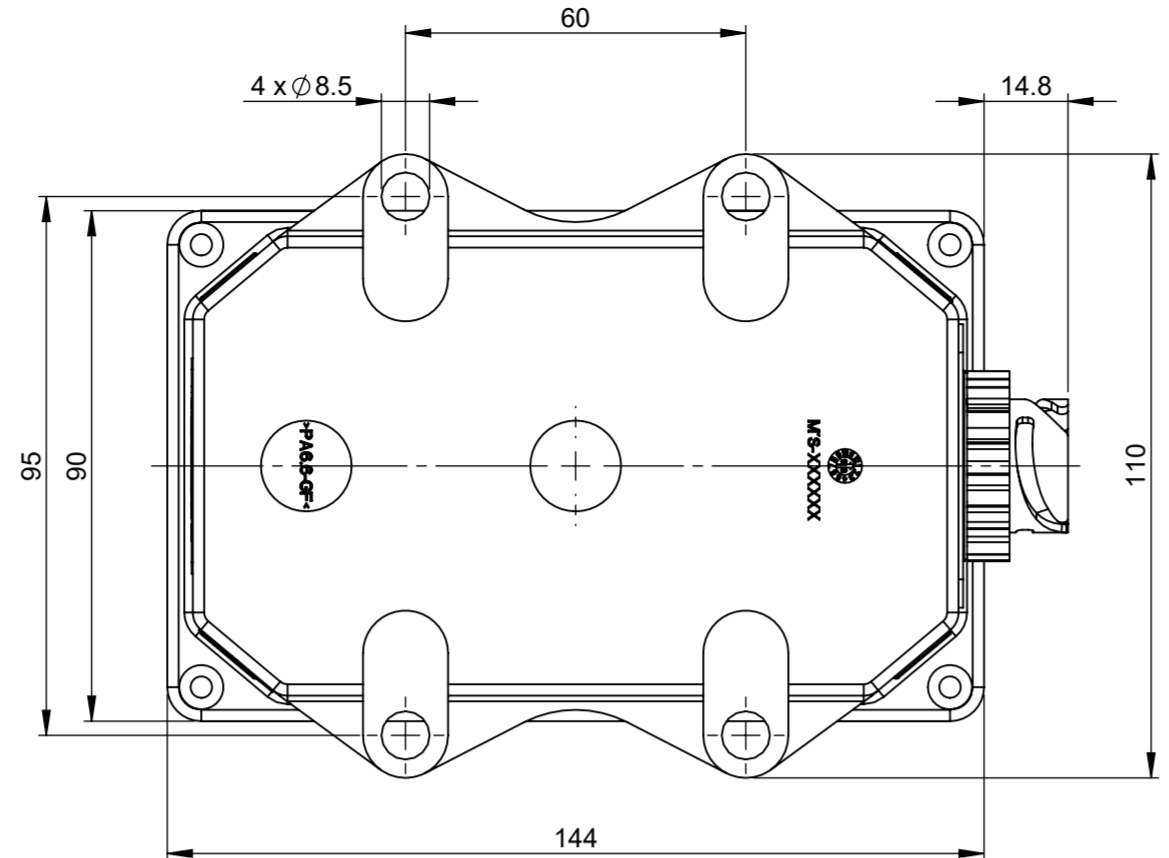


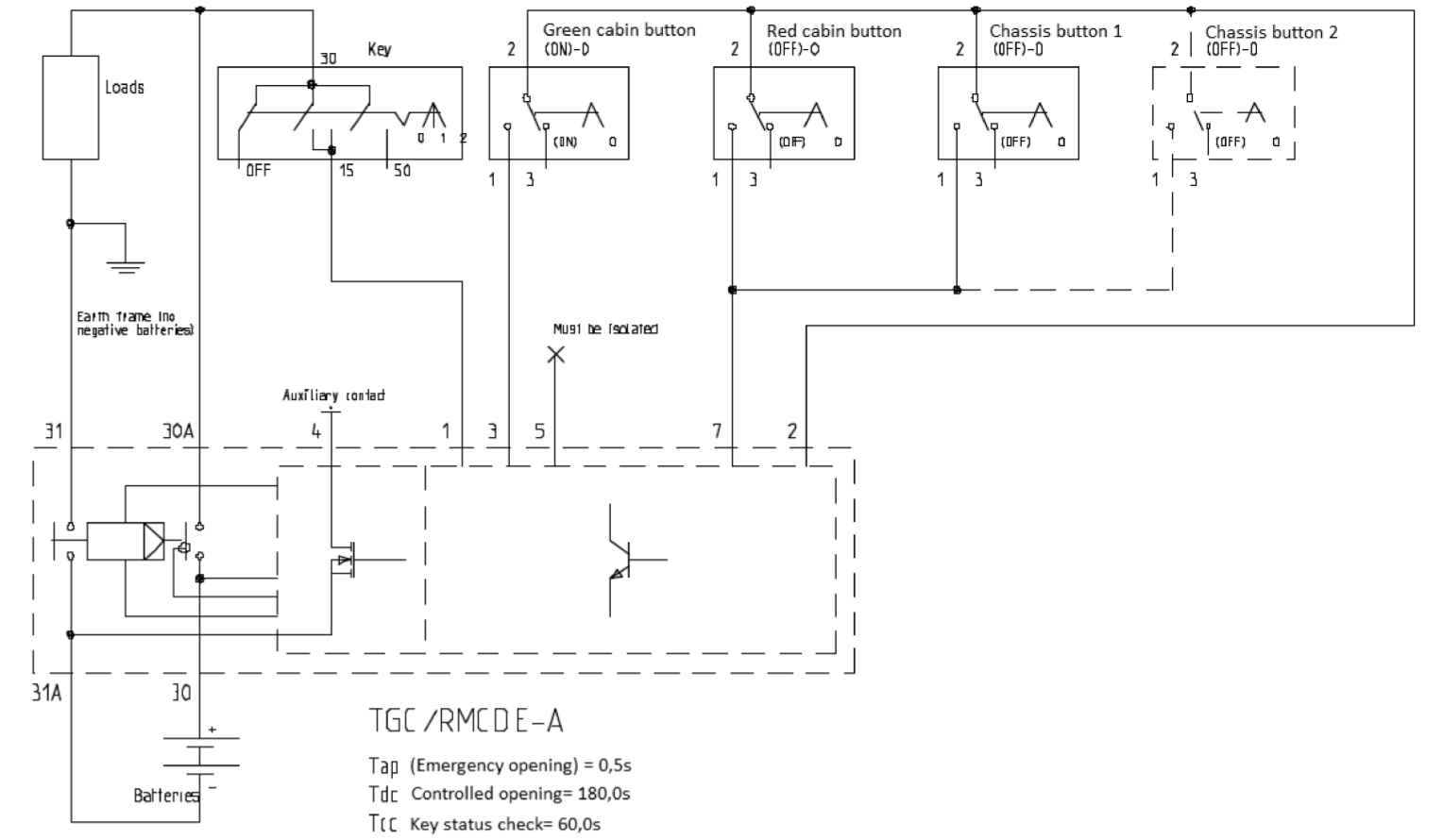
| REV. | | DESCRIPTION | DATE | GCF / ECR | DESIGNED | APPROVED |
|------|--|-----------------|----------|-----------|-------------|----------|
| A | | Initial Release | 1-Feb-23 | | L.Dal Molin | M.Tinto |



DOCUMENTO CORRELATO AL CERTIFICATO:
DOCUMENT CORRELATED TO THE CERTIFICATE:

SIRA 04 ATEX 2201X

Non sono ammesse modifiche senza l'approvazione della "Persona Autorizzata".
No modify is allowed without the "Authorized Person" approval.



CHARACTERISTICS

- Nominal operating voltage: 24V
- Working voltage: 27V
- Working voltage range: 12 ÷ 36V
- Max continuous current on contacts: 250A
- Max current short duration on contacts: 2000A for 30 sec. 2500A for 5 sec.
- Number of mechanical and electrical cycles: 100.000
- Max torque of screws M10/M12= 22 ± 1 Nm
- We suggest to fix the Bms to the structure by screws M8 and plane washers under head with torque 10 ± 2 Nm
- (\$) Components provided in the kit

DIMENSIONS AND TOLERANCES IN MILLIMETERS, DEFINED ACCORDING TO ISO 1101:2017.

| linear dimensions | | | | | | |
|-------------------|------|------|------|------|------|-------|
| 0,5 | >3 | >6 | >30 | >120 | >400 | >1000 |
| 3 | 6 | 30 | 120 | 400 | 1000 | 2000 |
| ±0,2 | ±0,3 | ±0,5 | ±0,8 | ±1,2 | ±2 | ±3 |

| angle (for range of lengths) | | | |
|------------------------------|-----|--------|--------|
| up to 10 | >10 | >50 | >120 |
| 10 | 50 | 120 | 400 |
| ±1°30' | ±1° | ±0°30' | ±0°15' |

| | | |
|------------------------------|---|----------------------|
| ● | FIT/ FUNCTION CRITICAL CHARACTERISTICS SYMBOL | |
| <S> | SAFETY/ COMPLIANCE CRITICAL CHARACTERISTICS SYMBOL | |
| CPK | DENOTES CPK DIMENSIONS MINIMUM CPK VALUE | |
| ST | DENOTES A CHARACTERISTIC THAT PROVIDES AN INDICATION OF PROCESS PERFORMANCE. PROCEDURE FOR MEASUREMENT AND TRACKING TO BE DEFINED IN LITTELFUSE INSPECTION INSTRUCTIONS | |
| CP | DENOTES CP DIMENSIONS. MINIMUM CP VALUE MUST BE WITHIN THE DIMENSIONAL LIMITATIONS SHOWN ON DRAWING AND INITIALLY LOCATED TO ALLOW FOR MAXIMUM TOOL LIFE | |
| DRAWN | | DATE |
| L. Dal Molin | | 1 Feb 2023 |
| CHECKED | | |
| | | |
| | | |
| | | |
| FORM NO. CVP-PE40-0013 REV A | | TITLE |
| FIRST ANGLE PROJECTION | | BMS TGC/RMCDE-O2 24V |
| SIZE: A2 | DWG. NO. OL-08097469 | OUTLINE REV. A |
| DO NOT SCALE DRAWING | SCALE 1:1 | SHEET 1 OF 1 |

