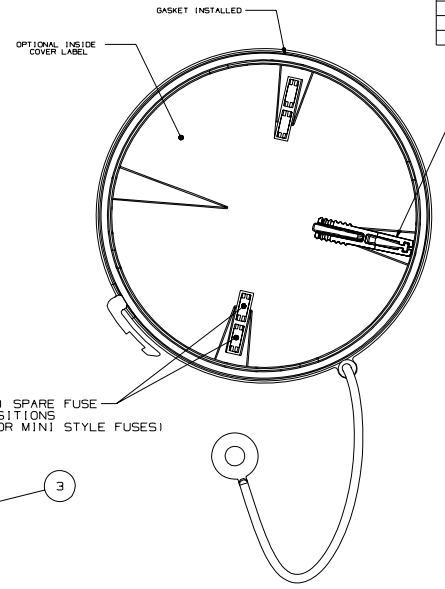
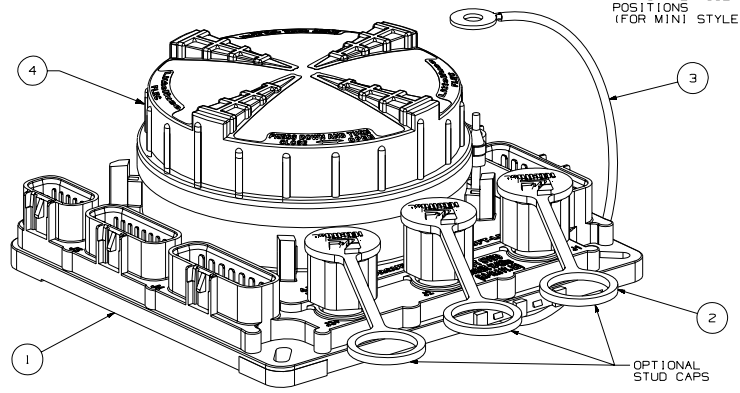
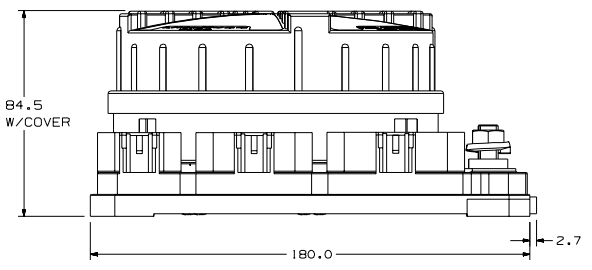


LOCATION	CONNECTOR TYPE	CONNECTOR	CPA	CAVITY PLUG
J4	14-POS DELPHI GT 280 SERIES SEALED	15326917	15317932	15305170
J5	16-POS DELPHI GT 150 SERIES SEALED	15326863	15317932	15305171
J6	10-POS DELPHI GT 150 SERIES SEALED	15326842	15317932	15305171
J7	12-POS DELPHI GT 150 SERIES SEALED	15326849	15317932	15305171
J8	8-POS DELPHI GT 280 SERIES SEALED	15326654	15317932	15305170
J9	16-POS DELPHI GT 280 SERIES SEALED	15326666	15317932	15305170

LTR	DATE	REVISION	CHK	APP
A	02/26/10	5A84-RELEASED	CAD	
B	-	NOT USED		
C	06/09/10	S435 AND P118-134-134 (30% GF-PET) 30% GF-PET COVER 047-035 OF P118-134-134 COVER 14.00 FT 30 OF PET CAD		
D	06/17/10	S432-DIMENSIONS CHANGED FROM 14.0 TO 13.5 AND 30-2 TO 43.2 CAD		

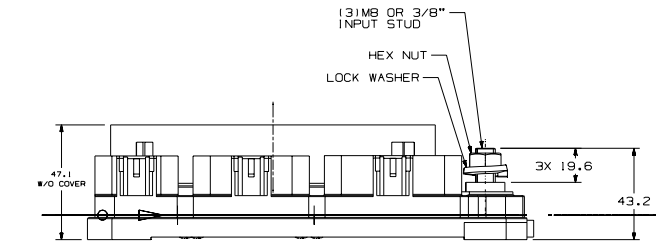


(14) SPARE FUSE POSITIONS (FOR MINI STYLE FUSES)



NO	COMPONENT NO	DESCRIPTION	QTY/M	U/M
5	-	FUSE PULLER	1	EA
4	-	COVER	1	EA
3	873-680	TETHER	1	EA
2	923-025-001	STUD CAPS	3	EA
1	-	FLEC ASSEMBLY	1	EA

PARTS LIST



- NOTES:
- 1) MATERIAL:
HOUSING AND COVER: UL 94V-0 30% GFPA6 & COVER UL94V-0 30%GF-PET
COVER GASKET: SILICONE
INPUT STUDS: STAINLESS STEEL POSTS WITH TIN-PLATED COPPER ALLOY SHOULDER
PCB: ROHS-COMPLIANT FR4
TERMINALS: TIN-PLATED COPPER ALLOY
 - 2) OPERATING TEMPERATURE RANGE: -40C TO 85C
 - 3) 1/0: 1313/8" OR MB INPUT STUDS
381.2.8mm OUTPUT BLADES (RATED FOR 15A MINI-FUSE)
381.2.8mm OUTPUT BLADES (RATED FOR 30A FUSE)
 - 4) FLEC MATES WITH DELPHI GT SERIES 150 AND 280 CONNECTORS.
SEE CHART FOR MATING CONNECTOR INFORMATION.
 - 5) FLEC MUST MEET ELECTRICAL RINGOUT TEST BEFORE SHIPMENT TO CUSTOMER.
 - 6) REFER TO CUSTOMER PRINT FOR SPECIFIC CIRCUIT INFORMATION.
 - 7) MOUNTING TORQUE USING M6 BOLTS: 16-20Nm (14.4-5.9FT-LB)
 - 8) INPUT STUD TORQUE: 12-19Nm (8.9-13.9FT-LB)
 - 9) OPTIONAL TETHER TO BE INSTALLED IN COVER AND ATTACHED TO MOUNTING HOLE BOLT.
 - 10) OPTIONAL SILICONE STUD CAPS AVAILABLE IN RED AND BLACK FOR MB AND 3/8" INPUT STUDS.
 - 11) INGRESS PROTECTION RATING OF FLEC WITH GASKETS, COVER AND BASE PLATE VENT INSTALLED: IP67
 - 12) INSTALLATION OF OPTIONAL COMPONENTS IS BASED ON CUSTOMER SPECIFIC PRINTS.

UNLESS OTHERWISE SPECIFIED, DIMENSIONS ARE IN MILLIMETERS. DIMENSIONS IN BRACKETS [] ARE INCHES.
UNLESS OTHERWISE SPECIFIED, DIMENSIONS DO NOT INCLUDE PLATING.

CPK	DEFINITION
(C)	DEFINITION: CRITICAL CHARACTERISTICS.
(CP)	DEFINITION: CHARACTERISTIC THAT PROVIDES AN INDICATION OF PROCESS PERFORMANCE. PROCEDURE FOR MEASUREMENT AND PACKAGING TO BE SPECIFIED IN LITERATURE INSPECTION INSTRUCTIONS.
(M)	DEFINITION: MINIMUM OF VALUE MUST BE WITHIN THE DIMENSIONAL LIMITATIONS SHOWN ON DRAWING AND INITIALLY LOCATED TO ALLOW FOR MAXIMUM TOOL LIFE.

COPIES TO: 10 N/A
11 FINISH N/A
12 20
13 21
14 23 DRW CAD DATE 02/26/10 SCALE 1:2
15 14 CHK DATE SUPER 98
16 15 33
17 16 43 3300 DATE 1789 6009 #1
18 17 52

TOLERANCES UNLESS OTHERWISE SPECIFIED (REF. ISO 2768-MS)
DIMENSION 0.5-51 51-125 125-250 250-500 500-1000
TOLERANCE ±0.1 ±0.1 ±0.2 ±0.3 ±0.5

REV. 01 TITLE FLEC ASSEMBLY
REV. 02
REV. 03
REV. 04
REV. 05
REV. 06
REV. 07
REV. 08
REV. 09
REV. 10
REV. 11
REV. 12
REV. 13
REV. 14
REV. 15
REV. 16
REV. 17
REV. 18
REV. 19
REV. 20

METRIC ASSEMBLY
Littelfuse
DL-FLEC00002-0

CAD GENERATED DRAWING - NO PENCIL CHANGES ALLOWED