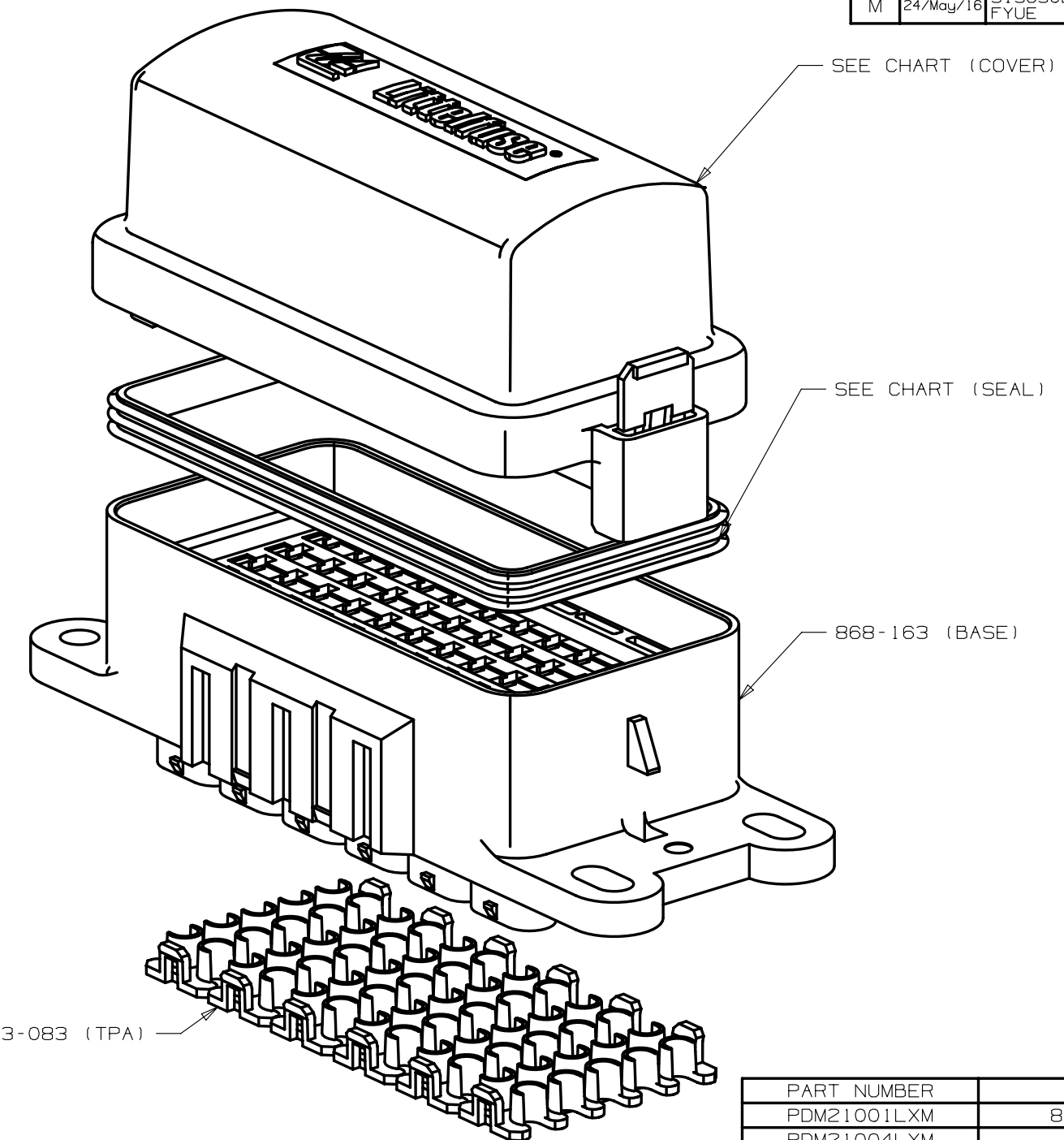
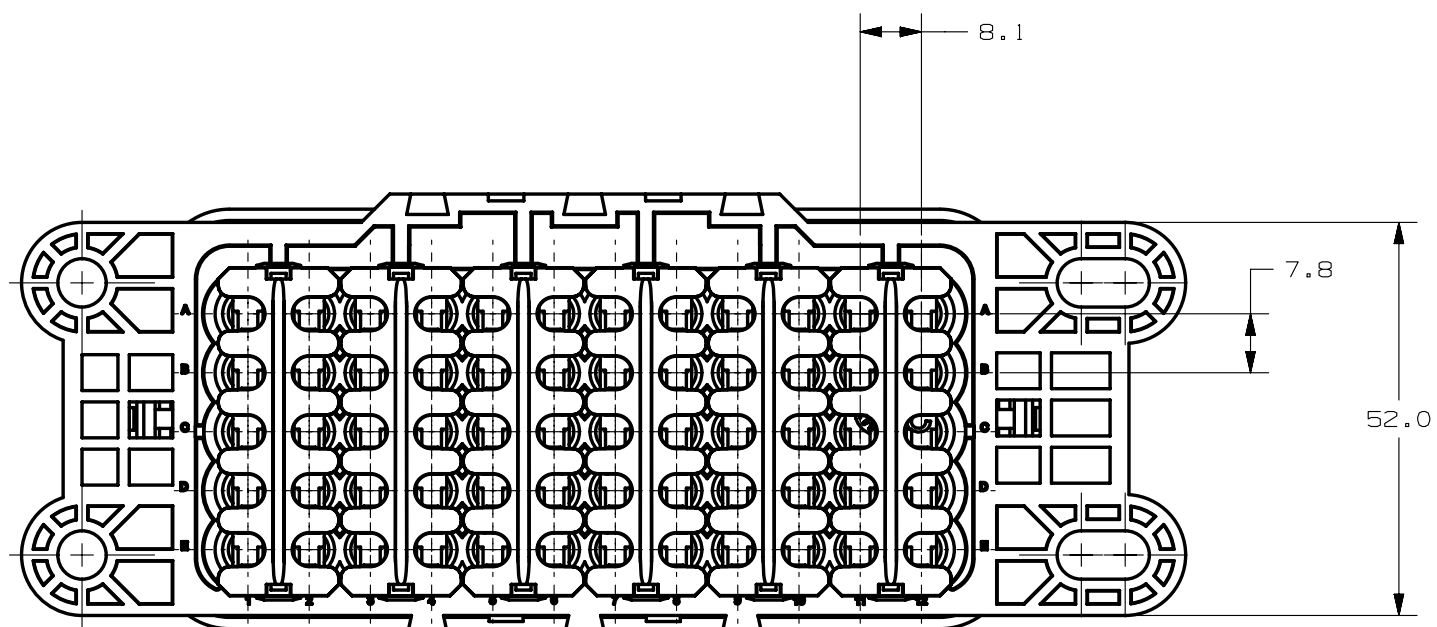
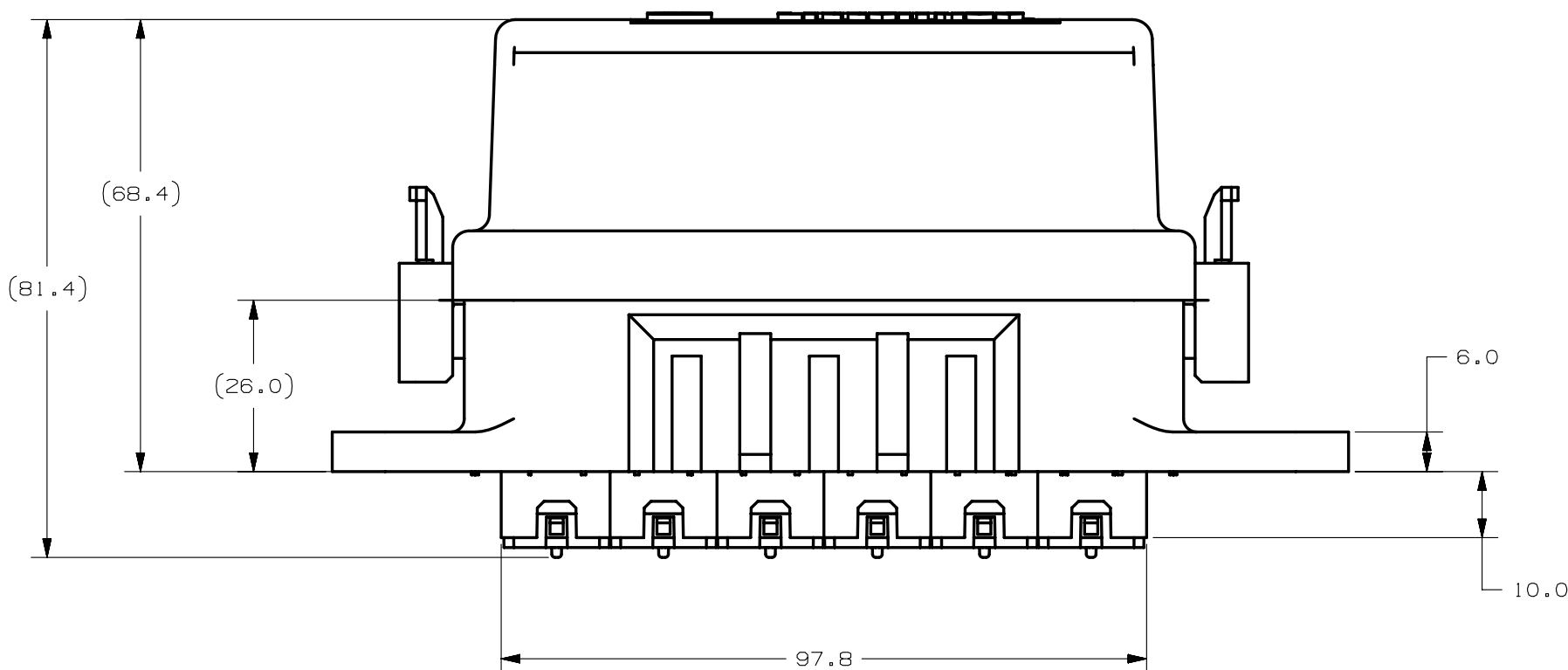
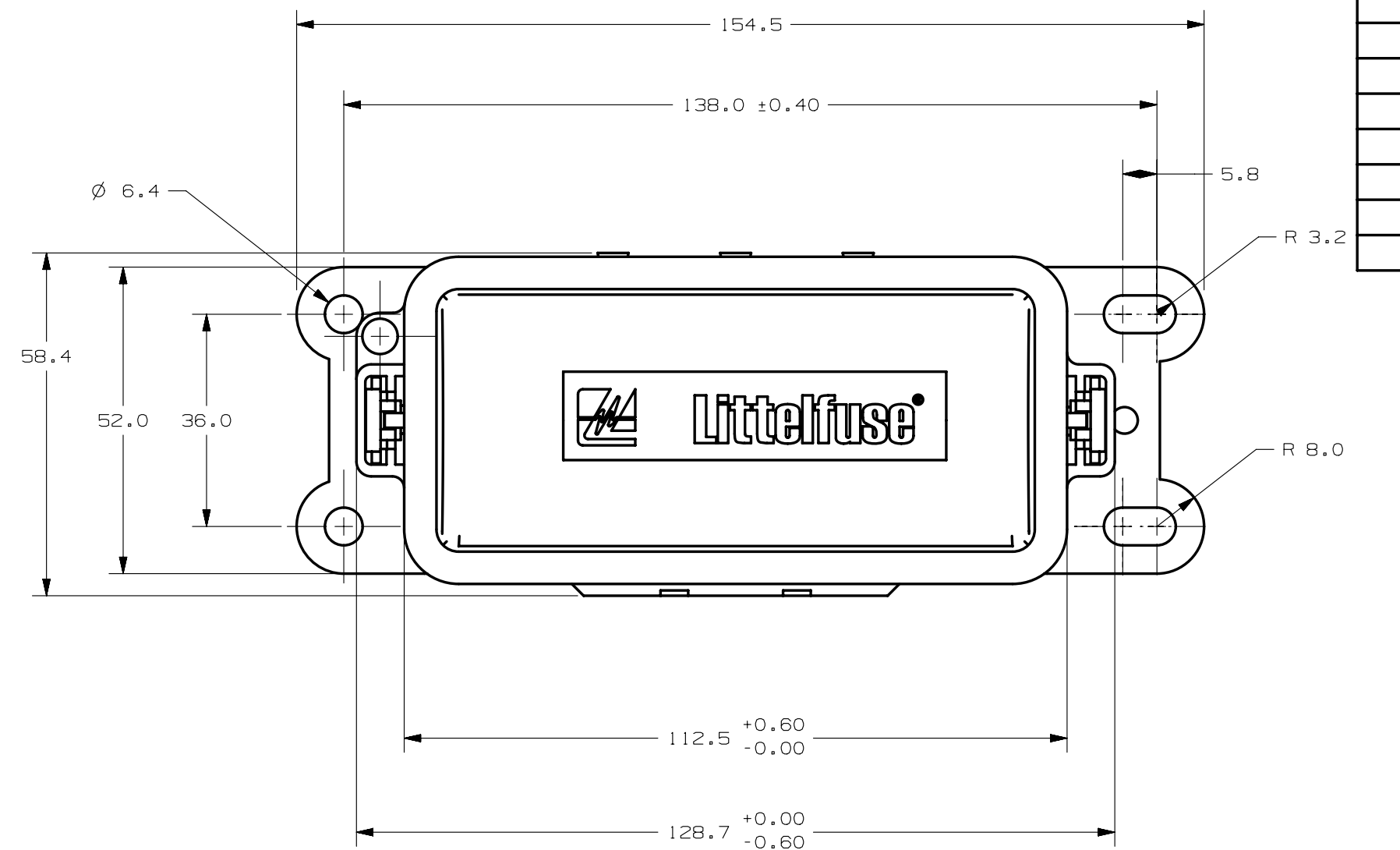


FEMALE TERMINAL FOR MINI FUSE

CABLE SIZE mm ²	FEMALE TERMINAL (DELPHI 280 SEALED)	CABLE DIA	CABLE SEAL (DELPHI 280 METRI-PACK REEL/LOOSE)	COLOR
0.50 - 0.35	12084201	1.70 - 1.29	12034365/15324983	DARK RED
1.0 - 0.50	12077411	2.15 - 1.60	12089444/15324985	PURPLE
3.0 - 2.0	12129493	2.42 - 2.03	12041352/15324984	TAN
3.0	12077413	2.85 - 2.03	12015284/15324982	GREEN
		3.49 - 2.81	12015359/15324980	GRAY
		4.30 - 3.45	12015360/15324981	BLUE
		CAVITY PLUG	12010300	GREEN

LTR	DATE	REVISION	CHK	APD
A	08/11/10	500612ERA-RELEASE GMB		
B	11/11/11	503656ECA - UPDATE DIMENSIONS AND TOLERANCE BASED ON ACTUAL PART. NR		
C	11/15/11	503676ECA - UPDATE TPA QTY. FROM 5 TO 6. NR		
D	12/14/11	503923ECA - UPDATE DIMENSION WAS 112.5mm, NOW 113mm BASED ON ACTUAL PART & SUPPLIER REQUEST. NR		
E	02/16/12	503416ECA - ADD R SYMBOL AFTER LITTELFUSE LOGO. FYUE		
F	09/08/12	506078ECA - CHANGE TORQUE RATING. FYUE		
G	11/5/12	506558ECA-ADD CORE OUT AREA TO STRENGTHEN MOUNTING FEET. FYUE		
H	04/28/13	508153ECA - MODIFY BASE TO IMPROVE RELAY RETENTION. FYUE		
J	07/04/14	510682ERA-RELEASE PDM21004LXM FYUE		
K	12/08/14	511349ECA-UPDATE DIMENSION 112.5 WAS 113. FYUE		
L	24/Mar/16	515613ECA-UPDATE DIMENSIONS AND CHANGE TORQUE. FYUE		
M	24/May/16	515930ECA-UPDATE IP RATING. FYUE		



- NOTES:
- MATERIAL:
 BASE/COVER: PA66, 30%GF, BLACK
 TPA: PA, BLUE
 SEAL: SILICONE RUBBER, GREEN
 - TORQUE RATING: 4-6 Nm USING M6 BOLT & LOCK WASHER.
 - FUSE RATING: 30A PER CIRCUIT.
 - OPERATING & STORAGE TEMPERATURE: -40°C TO 125°C
 - IP SEALING CLASS PER IEC60529 IP67 & IP69K.
 - TERMINAL RETENTION PER USCAR 2 SECTION 5.4.1.3 USING PROPER DELPHI METRI-PACK TERMINALS (SEALED/TANGLESS).
 - TPA RETENTION PER USCAR 2 SECTION 5.4.4.
 - MAX. CONTINUOUS CURRENT: 250A FOR ENTIRE FUSEHOLDER.

PART NUMBER	COVER	SEAL
PDM21001LXM	873-029	901-315
PDM21004LXM	NONE	NONE

UNLESS OTHERWISE SPECIFIED, DIMENSIONS ARE IN MILLIMETERS. DIMENSIONS IN BRACKETS [] ARE INCHES.

UNLESS OTHERWISE SPECIFIED, DIMENSIONS DO NOT INCLUDE PLATING.

⊙	DENOTES CRITICAL CHARACTERISTICS.
CPK	DENOTES CPK DIMENSIONS, -MINIMUM CPK VALUE
ST	DENOTES A CHARACTERISTIC THAT PROVIDES AN INDICATION OF PROCESS PERFORMANCE. PROCEDURE FOR MEASUREMENT AND TRACKING TO BE DEFINED IN LITTELFUSE INSPECTION INSTRUCTIONS
CP	DENOTES CP DIMENSIONS, -MINIMUM CP VALUE MUST BE WITHIN THE DIMENSIONAL LIMITATIONS SHOWN ON DRAWING AND INITIALLY LOCATED TO ALLOW FOR MAXIMUM TOOL LIFE

COPIES TO	MATL SPEC																								
1 9 18	<table border="1"> <tr> <td colspan="4">FINISH</td> </tr> <tr> <td>DRW</td> <td>GMB</td> <td>DATE</td> <td>08/11/10</td> </tr> <tr> <td>SCALE</td> <td colspan="3">1:1</td> </tr> <tr> <td>CHK</td> <td></td> <td>DATE</td> <td>SUPER DR</td> </tr> <tr> <td>APPD</td> <td></td> <td>DATE</td> <td>FINSH GOOD WT</td> </tr> <tr> <td>GRAMS/PIECE</td> <td colspan="3"></td> </tr> </table>	FINISH				DRW	GMB	DATE	08/11/10	SCALE	1:1			CHK		DATE	SUPER DR	APPD		DATE	FINSH GOOD WT	GRAMS/PIECE			
FINISH																									
DRW		GMB	DATE	08/11/10																					
SCALE		1:1																							
CHK			DATE	SUPER DR																					
APPD			DATE	FINSH GOOD WT																					
GRAMS/PIECE																									
2 10 19																									
3 12 20																									
4 13 21																									
5 14 23																									
6 15 33																									
7 16 43																									
8 17 53																									

TOLERANCES UNLESS OTHERWISE SPECIFIED (REF. ISO 2768-MH)					
DIMENSION	0.5 - 3	3 - 6	6 - 30	30 - 120	120 - 400
TOLERANCE	+0.1	+0.1	+0.2	+0.3	+0.5

3RD ANGLE PROJECTION	TITLE	60 WAY FUSE HOLDER
----------------------	-------	--------------------

METRIC ASSEMBLY

Littelfuse	REVISION	DRWG. NO.
CHICAGO, USA 773-628-1000	M	01-PDM21001LXM

CAD GENERATED DRAWING - NO PENCIL CHANGES ALLOWED (REV C)