

STANDARD LOW VOLTAGE DISCONNECT

150A, 200A • 12V DC • IP67



Description

Electronically senses battery voltage and conserves starting power. Prolongs battery life by preventing battery damage. Automatically disconnects non-critical loads from a battery when the battery voltage falls below a predefined threshold. Automatically reconnects the loads to the battery when the battery is being charged. Automatically prevents the loads from disconnecting during starting. An optional ignition override input is also provided.

Electronics are sealed to IP67, see Installation Instructions IF-156 for mounting and wiring details.

Features and Benefits

- Overcurrent, short-circuit and over-temperature protections offer safe and reliable operation.
- Eliminates contact wear and extends service life to $\geq 1,000,000$ On-Off cycles.
- Draws minimal quiescent current of 2mA.
- Pre-disconnect warning is provided by a visual or audible alarm (sold separately).
- Built-in “snooze timer” allows one hour override (factory programmable).
- Manual override option permits a user to make or break the connection, regardless of the battery voltage. (Switch sold separately).

Specifications Overview

Voltage:	12V
Continuous Current:	48512 – 150A 48510 – 200A
Inrush Current:	500A (for 5 seconds)
Max Quiescent Current:	2mA
Ingress Protection:	IP67
Operating Temperature:	-40° to +85°C (-40° to +185°F)
Stud Terminals	5/16-18
Dimensions:	6.0 x 5.15 x 3.0 (152.4 x 130.8 x 76.2)

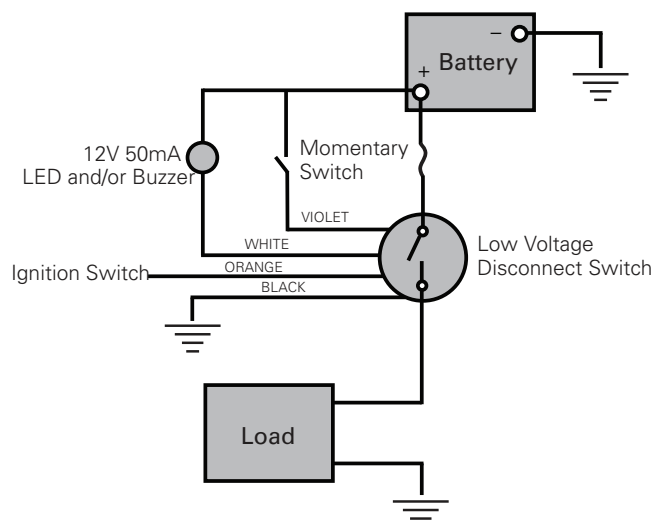
Web Resources

Download technical resources at:
littelfuse.com/StandardLVD

Ordering Information

PART NUMBER	DESCRIPTION
48512	150A 12V
48510	200A 12V

Wiring Diagram



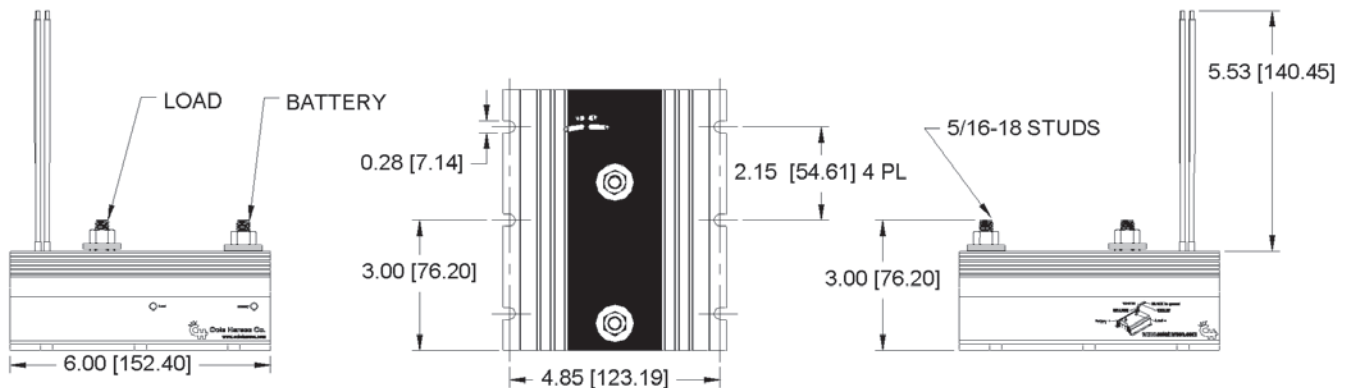
Datasheet Replaces Hotfeed Number D-614

STANDARD LOW VOLTAGE DISCONNECT

Specifications

Voltage:	12V
Continuous Current:	150A or 200A
Inrush Current:	500A (for 5 seconds)
Max Quiescent Current:	2mA
Ingress Protection:	IP67
Ignition Protection:	Ignition-proof to ISO 8846
Disconnection:	Disconnects when battery drops below 12.1V for 2 minutes, reconnects when battery meets or exceeds 13.0V for 10 seconds. (Factory programmable)
Alarm:	Active low, 50mA. Activates 1 minute before disconnect. (Factory programmable)
Accuracy:	±100mV.

Dimensions in Inches (millimeters)



Visit Littelfuse.com for the most up-to-date product information. Littelfuse products are designed for specific applications and should not be used for any purpose (including, without limitation, automotive applications) not expressly set forth in applicable Littelfuse product documentation. Warranties granted by Littelfuse shall be deemed void for products used for any purpose not expressly set forth in applicable Littelfuse product documentation. Littelfuse shall not be liable for any claims or damages arising out of products used in applications not expressly intended by Littelfuse as set forth in applicable Littelfuse product documentation.