

## HWB60-AL SEALED POWER DISTRIBUTION MODULE

Compact Hard-Wired PDM for 280 Style Components



### Description

The HWB60-AL Hard-Wired Box is the perfect fit for accessory circuits and overflow circuits from your main PDM. For smaller vehicles, this unit is an ideal solution as a main vehicle module. It features durable construction, and IP67/IP69K rating and a compact size. The user can customize their own circuitry utilizing direct wire-to-component connections.

### Features and Benefits

- AssureLatch™ yellow positive-sealing latches keep the cover securely in place while allowing for fast service.
- Accepts any mini (280 style) circuit protection component.
- Compact size allows the unit to be installed in vehicles with limited space.
- Ideal for accessory circuits, overflow circuits from main PDM, or as a main module on smaller vehicles.
- IP67/IP69K sealed units can be installed virtually anywhere on the vehicle and stands up to road splash and salt spray.
- TPAs (terminal position assurance locks) give secondary locking protection of the wire leads, which help keeps leads securely in place.
- Wires plug into the back of the unit using industry-standard Delphi Metri-Pack Series 280 tanged terminals.
- Multiple units can be dovetailed together to expand capacity. They can also be interlocked to other Littelfuse PDMs and fuse holders. (FLEC, Flex-MEGA, Flex-MIDI).
- Add-on accessory can hold a fuse puller and spare fuses.
- Tethers available to prevent loss of cover during service.
- Optional grid on inside cover available; functions as relay retention insert

### Specifications Overview

<b>Max Fuse Rating:</b>	30A per circuit
<b>Max Continuous Current:</b>	250A
<b>Number of Cavities</b>	60
<b>Mounting Torque:</b>	4-6 Nm
<b>Operating Temp:</b>	-40 to +125 °C
<b>Ingress Protection:</b>	IP67/IP69K
<b>Corrosion Test:</b>	96 hours - salt spray test to ASTM standard
<b>Vibration and Shock Test:</b>	SAE J1455

### Applications

- Accessory Circuits
- Overflow Circuits
- Primary on Small Vehicles

### Web Resources

Download 2D print and technical resources at: [littelfuse.com/HWB60-AL](http://littelfuse.com/HWB60-AL)

### Ordering Information

PART NUMBER	COMPLETE ASSEMBLY	AssureLatch™		GRID
		FINGER	TOOL	
PDM71001ZXM	•		•	
PDM71003ZXM		•		

Complete assembly includes: cover, base, gasket & 6 TPAs  
 TPA: Terminal Position Assurance secondary locks for wire terminals

### Accessories and Service Parts

PART NUMBER	DESCRIPTION
868-055	Base
873-018	Cover
901-323	Gasket
883-083	TPA (6 needed per assembly)
873-680	Optional Tether
901-322	Grid

## HWB60-AL SEALED POWER DISTRIBUTION MODULE

### Specifications

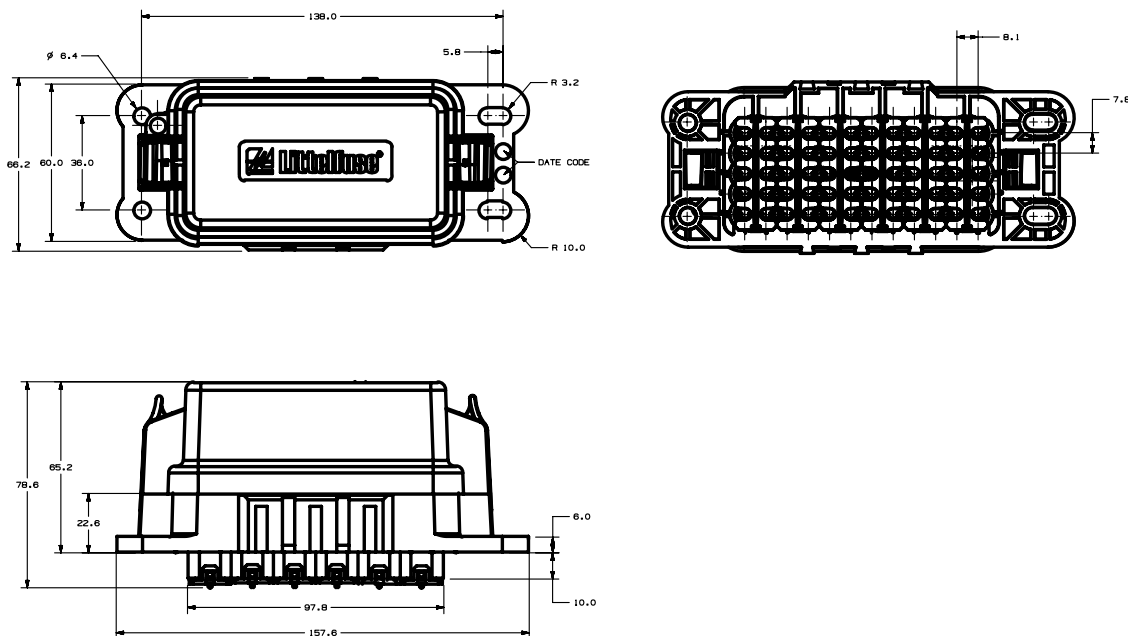
<b>Max Fuse Rating</b>	30A per circuit
<b>Max Continuous Current</b>	250A
<b>Number of Cavities</b>	60
<b>Recommended Mounting</b>	M6 bolt and lock washer
<b>Mounting Torque</b>	4-6 Nm
<b>Temperature Range</b>	-40 °C to +125 °C
<b>Ingress Protection Rating</b>	IP67/IP69K
<b>Dimensions</b>	113x52x81 mm
<b>Labels</b>	Consult Littelfuse for label options
<b>Wire Sizes</b>	0.35-5.00 mm <sup>2</sup>
<b>Mating Terminals &amp; Seals</b>	Delphi Metri-Pack 280 Sealed female (tanged) See chart below for details. Sold separately.
<b>Accessories</b>	Optional: Cover tether, relay retention insert, custom footprint label

### Mating Terminals and Seals Compatibility

CABLE SIZE	TERMINAL	CABLE DIAMETER	CABLE SEAL	CABLE PLUG
0.50-0.35 mm <sup>2</sup>	12084201	1.70-1.29 mm <sup>2</sup>	12034365/15324983	12010300
1.00-0.50 mm <sup>2</sup>	12077411	2.15-1.60 mm <sup>2</sup>	12089444/15324985	12010300
2.00-1.00 mm <sup>2</sup>	15363933	2.85-2.03 mm <sup>2</sup>	12015284/15324982	12010300
3.00-2.00 mm <sup>2</sup>	12129493	3.49-2.81 mm <sup>2</sup>	12015359/15324980	12010300
5.0 mm <sup>2</sup>	12077413	4.30-3.45 mm <sup>2</sup>	12015360/15324981	12010300

Sold separately. Available from Delphi.

### Dimensions in millimeters



Visit [Littelfuse.com](http://Littelfuse.com) for the most up-to-date product information. Littelfuse reserves the right to make product changes, without notice. Material in this document is as accurate as known at the time of publication.