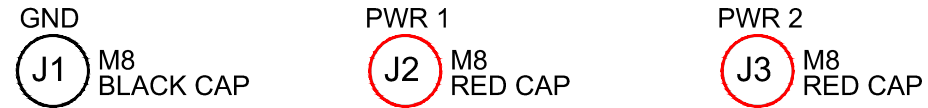
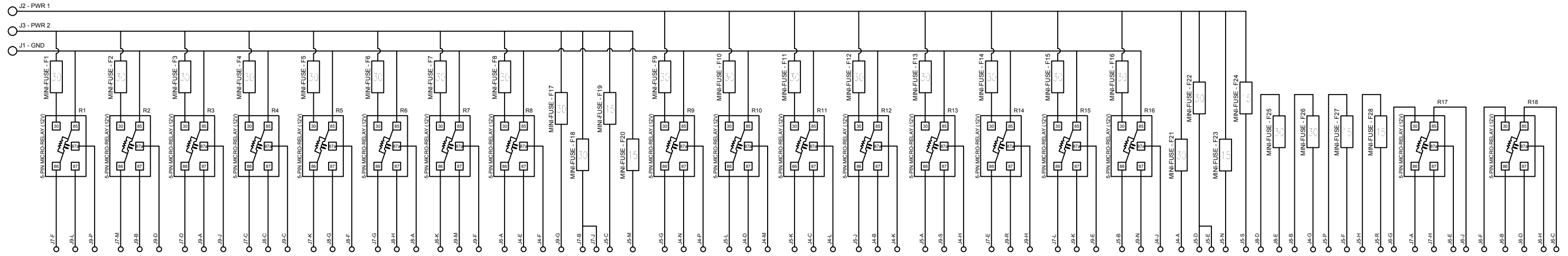
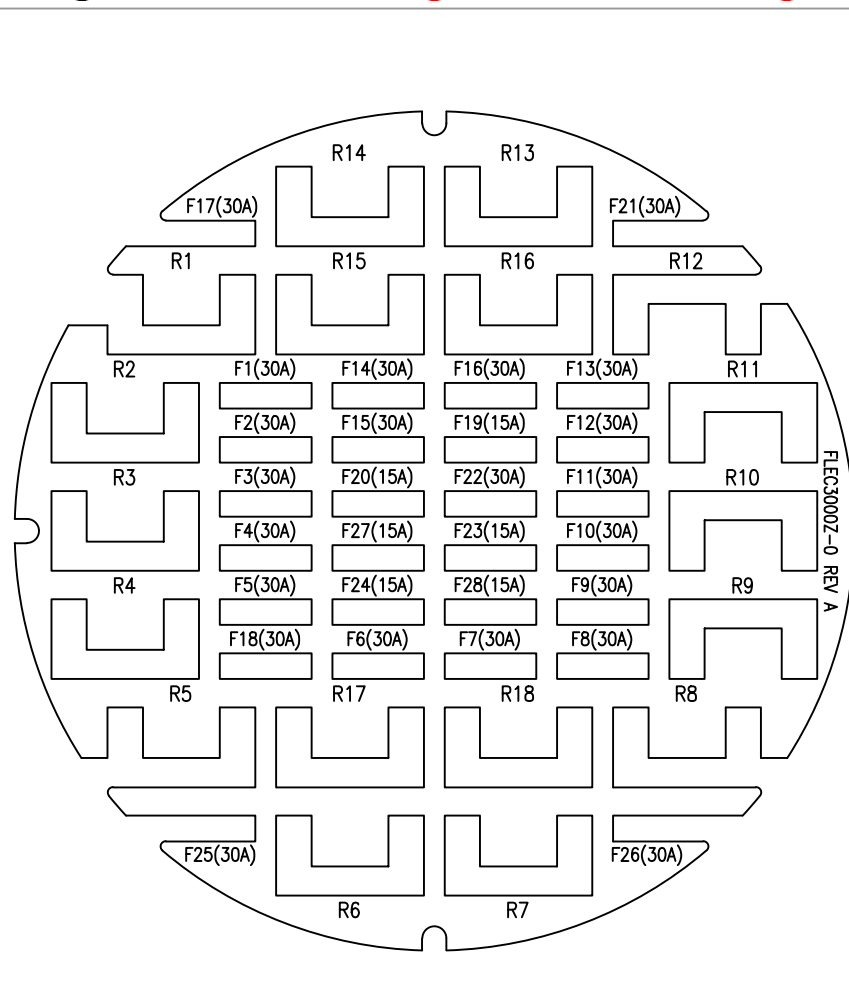


All fuses are MINI style unless otherwise noted.



DELPHI GT 280 SERIES SEALED CONNECTOR: 15326666 CPA: 15317832 CAVITY PLUG: 15305170		<table border="1"> <tr><td>R14-87a</td><td>•H</td><td>S</td><td>R13-87</td><td>•H</td><td>S</td></tr> <tr><td>F17</td><td>•G</td><td>R</td><td>R14-87</td><td>•G</td><td>R</td></tr> <tr><td>R7-87a</td><td>•F</td><td>P</td><td>R1-87a</td><td>•F</td><td>P</td></tr> <tr><td>R15-87a</td><td>•E</td><td>N</td><td>R16-87</td><td>•E</td><td>N</td></tr> <tr><td>R2-87a</td><td>•D</td><td>M</td><td>R7-87</td><td>•D</td><td>M</td></tr> <tr><td>R4-87a</td><td>•C</td><td>L</td><td>R1-87</td><td>•C</td><td>L</td></tr> <tr><td>R2-87</td><td>•B</td><td>K</td><td>R15-87</td><td>•B</td><td>K</td></tr> <tr><td>R3-87</td><td>•A</td><td>J</td><td>R3-87a</td><td>•A</td><td>J</td></tr> </table>	R14-87a	•H	S	R13-87	•H	S	F17	•G	R	R14-87	•G	R	R7-87a	•F	P	R1-87a	•F	P	R15-87a	•E	N	R16-87	•E	N	R2-87a	•D	M	R7-87	•D	M	R4-87a	•C	L	R1-87	•C	L	R2-87	•B	K	R15-87	•B	K	R3-87	•A	J	R3-87a	•A	J
R14-87a	•H	S	R13-87	•H	S																																													
F17	•G	R	R14-87	•G	R																																													
R7-87a	•F	P	R1-87a	•F	P																																													
R15-87a	•E	N	R16-87	•E	N																																													
R2-87a	•D	M	R7-87	•D	M																																													
R4-87a	•C	L	R1-87	•C	L																																													
R2-87	•B	K	R15-87	•B	K																																													
R3-87	•A	J	R3-87a	•A	J																																													
DELPHI GT 280 SERIES SEALED CONNECTOR: 15326654 CPA: 15317832 CAVITY PLUG: 15305170		<table border="1"> <tr><td>F25</td><td>•D</td><td>H</td><td>R6-87</td><td>•D</td><td>H</td></tr> <tr><td>R4-87</td><td>•C</td><td>G</td><td>R5-87</td><td>•C</td><td>G</td></tr> <tr><td>F26</td><td>•B</td><td>F</td><td>R5-87a</td><td>•B</td><td>F</td></tr> <tr><td>R6-87a</td><td>•A</td><td>E</td><td>F25</td><td>•A</td><td>E</td></tr> </table>	F25	•D	H	R6-87	•D	H	R4-87	•C	G	R5-87	•C	G	F26	•B	F	R5-87a	•B	F	R6-87a	•A	E	F25	•A	E																								
F25	•D	H	R6-87	•D	H																																													
R4-87	•C	G	R5-87	•C	G																																													
F26	•B	F	R5-87a	•B	F																																													
R6-87a	•A	E	F25	•A	E																																													
DELPHI GT 150 SERIES SEALED CONNECTOR: 15326849 CPA: 15317832 CAVITY PLUG: 15305171		<table border="1"> <tr><td>R1-86</td><td>•F</td><td>M</td><td>R2-86</td><td>•F</td><td>M</td></tr> <tr><td>R14-86</td><td>•E</td><td>L</td><td>R15-86</td><td>•E</td><td>L</td></tr> <tr><td>R3-86</td><td>•D</td><td>K</td><td>R5-86</td><td>•D</td><td>K</td></tr> <tr><td>R4-86</td><td>•C</td><td>J</td><td>F18</td><td>•C</td><td>J</td></tr> <tr><td>F18</td><td>•B</td><td>H</td><td>R17-87</td><td>•B</td><td>H</td></tr> <tr><td>R17-86</td><td>•A</td><td>G</td><td>R6-86</td><td>•A</td><td>G</td></tr> </table>	R1-86	•F	M	R2-86	•F	M	R14-86	•E	L	R15-86	•E	L	R3-86	•D	K	R5-86	•D	K	R4-86	•C	J	F18	•C	J	F18	•B	H	R17-87	•B	H	R17-86	•A	G	R6-86	•A	G												
R1-86	•F	M	R2-86	•F	M																																													
R14-86	•E	L	R15-86	•E	L																																													
R3-86	•D	K	R5-86	•D	K																																													
R4-86	•C	J	F18	•C	J																																													
F18	•B	H	R17-87	•B	H																																													
R17-86	•A	G	R6-86	•A	G																																													



DELPHI GT 280 SERIES SEALED CONNECTOR: 15326917 CPA: 15317832 CAVITY PLUG: 15305170		<table border="1"> <tr><td>J4</td><td>•L</td><td>D</td><td>F21</td><td>•H</td><td>A</td></tr> <tr><td>•J</td><td>B</td><td>R12-87</td><td>•J</td><td>B</td><td>R12-87</td></tr> <tr><td>•K</td><td>C</td><td>R11-87</td><td>•K</td><td>C</td><td>R11-87</td></tr> <tr><td>•M</td><td>E</td><td>R10-87</td><td>•L</td><td>D</td><td>R10-87</td></tr> <tr><td>•N</td><td>F</td><td>R9-87</td><td>•M</td><td>E</td><td>R8-87</td></tr> <tr><td>•P</td><td>G</td><td>R9-87a</td><td>•N</td><td>F</td><td>R8-87a</td></tr> <tr><td></td><td></td><td></td><td>•P</td><td>G</td><td>F26</td></tr> </table>	J4	•L	D	F21	•H	A	•J	B	R12-87	•J	B	R12-87	•K	C	R11-87	•K	C	R11-87	•M	E	R10-87	•L	D	R10-87	•N	F	R9-87	•M	E	R8-87	•P	G	R9-87a	•N	F	R8-87a				•P	G	F26						
J4	•L	D	F21	•H	A																																													
•J	B	R12-87	•J	B	R12-87																																													
•K	C	R11-87	•K	C	R11-87																																													
•M	E	R10-87	•L	D	R10-87																																													
•N	F	R9-87	•M	E	R8-87																																													
•P	G	R9-87a	•N	F	R8-87a																																													
			•P	G	F26																																													
DELPHI GT 150 SERIES SEALED CONNECTOR: 15326863 CPA: 15317832 CAVITY PLUG: 15305171		<table border="1"> <tr><td>J5</td><td>•M</td><td>D</td><td>R13-86</td><td>•J</td><td>A</td></tr> <tr><td>•K</td><td>B</td><td>R16-86</td><td>•K</td><td>B</td><td>R16-86</td></tr> <tr><td>•L</td><td>C</td><td>F19</td><td>•L</td><td>C</td><td>F19</td></tr> <tr><td>•N</td><td>E</td><td>F22</td><td>•M</td><td>D</td><td>F22</td></tr> <tr><td>•P</td><td>F</td><td>F27</td><td>•N</td><td>E</td><td>F22</td></tr> <tr><td>•R</td><td>G</td><td>R9-86</td><td>•P</td><td>F</td><td>F27</td></tr> <tr><td>•S</td><td>H</td><td>F28</td><td>•R</td><td>G</td><td>R9-86</td></tr> <tr><td></td><td></td><td>F24</td><td>•S</td><td>H</td><td>F28</td></tr> </table>	J5	•M	D	R13-86	•J	A	•K	B	R16-86	•K	B	R16-86	•L	C	F19	•L	C	F19	•N	E	F22	•M	D	F22	•P	F	F27	•N	E	F22	•R	G	R9-86	•P	F	F27	•S	H	F28	•R	G	R9-86			F24	•S	H	F28
J5	•M	D	R13-86	•J	A																																													
•K	B	R16-86	•K	B	R16-86																																													
•L	C	F19	•L	C	F19																																													
•N	E	F22	•M	D	F22																																													
•P	F	F27	•N	E	F22																																													
•R	G	R9-86	•P	F	F27																																													
•S	H	F28	•R	G	R9-86																																													
		F24	•S	H	F28																																													
DELPHI GT 150 SERIES SEALED CONNECTOR: 15326842 CPA: 15317832 CAVITY PLUG: 15305171		<table border="1"> <tr><td>J6</td><td>•F</td><td>A</td><td>R8-86</td><td>•F</td><td>A</td></tr> <tr><td>•G</td><td>B</td><td>R18-86</td><td>•G</td><td>B</td><td>R18-86</td></tr> <tr><td>•H</td><td>C</td><td>R18-85</td><td>•H</td><td>C</td><td>R18-85</td></tr> <tr><td>•J</td><td>D</td><td>R18-87</td><td>•J</td><td>D</td><td>R18-87</td></tr> <tr><td>•K</td><td>E</td><td>R17-87a</td><td>•K</td><td>E</td><td>R17-87a</td></tr> <tr><td></td><td></td><td>R7-86</td><td>•K</td><td>E</td><td>R17-87a</td></tr> </table>	J6	•F	A	R8-86	•F	A	•G	B	R18-86	•G	B	R18-86	•H	C	R18-85	•H	C	R18-85	•J	D	R18-87	•J	D	R18-87	•K	E	R17-87a	•K	E	R17-87a			R7-86	•K	E	R17-87a												
J6	•F	A	R8-86	•F	A																																													
•G	B	R18-86	•G	B	R18-86																																													
•H	C	R18-85	•H	C	R18-85																																													
•J	D	R18-87	•J	D	R18-87																																													
•K	E	R17-87a	•K	E	R17-87a																																													
		R7-86	•K	E	R17-87a																																													