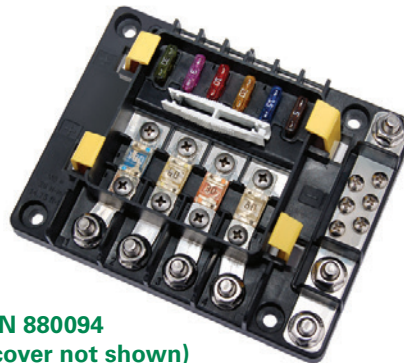


LX SERIES POWER DISTRIBUTION MODULES

200 & 600A • ATO & MINI Fuses • Vehicle Electrical Distribution & Ground Return Center



PN 880089



PN 880094
(cover not shown)

Description

Rugged box with Assure-Latch Technology is sealed to IP59K, and is designed to withstand high-pressure, high-temperature washing or ingress of roadsplash. Provides the benefits of a sealed cover, but allows water to escape if the cover is mistakenly unsecured. Allows permanent cable connections to be protected for harsh environments, while leaving fuse connections clean and protected.

Provides storage for ATO® fuse puller (included), spare fuses and attachment screws (not included). Cover is tethered so that it cannot be lost. Ignition protected to SAE J1171 and ISO 8846 for installation in a battery box or on vehicles carrying hazardous loads. Compact 6.5 x 5 x 2" unit fits conveniently inside or near battery boxes, and consolidates fusing for ten added circuits, while providing a collection point for negative returns. 200A version (880094) offers current limited power distribution to eliminate excessive power usage.

Features and Benefits

- Protects up to 4 high-amp and 6 low-amp circuits (30-200A MIDI® fuses and 1-40A ATO® fuses.)
- Eliminates battery-box clutter, and saves space
- Reduces overall system cost by combining individual fuse holders

Specifications Overview

Max Voltage:	60V DC (limited by fuse)
Max Total Continuous Current:	600A (880089 - 2 x 4/0 feed cables) 350A (880089 - 4/0 feed cable) 200A (880094 - 2/0 feed cable)
Max MIDI Continuous Current:	170A
Max ATO Continuous Current:	30A
Stud Size	4 x 5/16" (M8)
Operating Temp:	-50 °C to +125 °C
Ingress Protection:	IP59K

Applications

- Ideal for upfitter & aftermarket vehicle circuit additions.

Web Resources

Download technical resources at:
littelfuse.com/LX

Ordering Information

PART NUMBERS		MAX CONTINUOUS CURRENT	MAX FUSE RATING PER CIRCUIT		NUMBER OF FUSE LOCATIONS	TERMINAL STUD TORQUE	INGRESS PROTECTION	DIMENSIONS	CONTENTS		
BULK	RETAIL		MIDI	ATO					COVER	GASKET	FUSE PULLER
880089	–	600A	170A	30A	10	20 Nm	IP59K	165x127x51mm	•	•	•
880094	–	200A	170A	30A	10	20 Nm	IP59K	165x127x51mm	•	•	•

Datasheet Replaces Hotfeed Number D-650

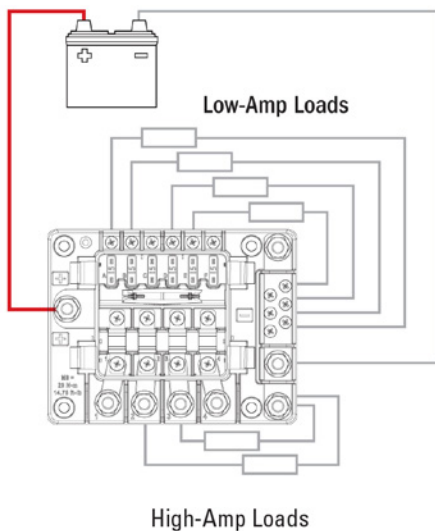
LX SERIES POWER DISTRIBUTION MODULES

Specifications

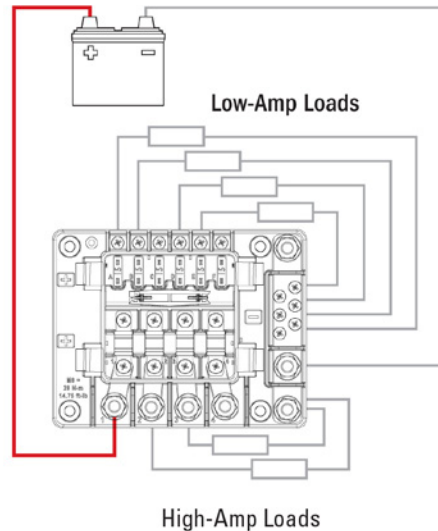
880089 & 880094	
Maximum Total Continuous Current	600A (880089 - 2 x 4/0 feed cables) 350A (880089 - 4/0 feed cable) 200A (880094 - 2/0 feed cable)
Maximum Midi Continuous Current Per Circuit (85% of Max Fuse Rating)	170A
Maximum ATO Continuous Current Per Circuit (75% of Max Fuse Rating)	30A
Dielectric Breakdown Withstand	1,100V DC, 2 min
Maximum Continuous Voltage (Limited by Fuses)	60V DC
Recommended Ring Terminal	High-Amp - 5/16" (M8) Low-Amp - #8, (M4)
Stud Size	4 x 5/16" (M8)
Temperature Range	-50° C to 125° C
Humidity	0-95% RH
Shock	50G
Vibration	8G
Ingress Rating	IP59K
Salt Spray	1,080 hours
Weight	1.90 lbs (0.86 kg)

Configurations

PN 880089 (600A)



PN 880094 (200A)



Visit Littelfuse.com for the most up-to-date product information. Littelfuse products are designed for specific applications and should not be used for any purpose (including, without limitation, automotive applications) not expressly set forth in applicable Littelfuse product documentation. Warranties granted by Littelfuse shall be deemed void for products used for any purpose not expressly set forth in applicable Littelfuse product documentation. Littelfuse shall not be liable for any claims or damages arising out of products used in applications not expressly intended by Littelfuse as set forth in applicable Littelfuse product documentation.