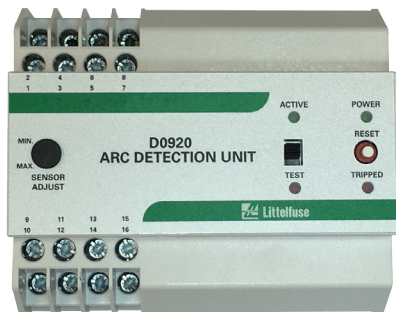


# D0920 ARC DETECTION UNIT

## Arc Detection Unit

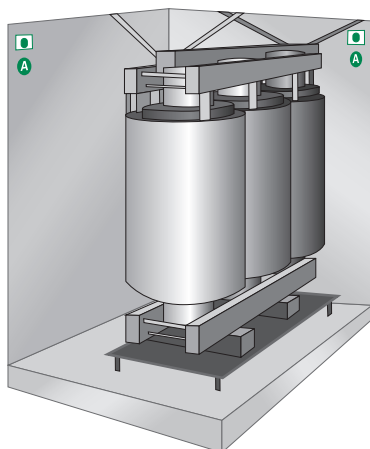


### Description

The D0920 Arc-Flash relay provides a simple and cost effective solution for Arc-Flash monitoring. Two light sensors can be connected directly to one relay.

**Light Sensors** react to light and have a 180° detection zone. Sensors are supplied with 10 or 15 m of cable. 1-2 sensors are recommended per cubicle or drawer.

## Installation Diagram



Install sensors in line of sight to possible arc faults.

## Features & Benefits

FEATURES	BENEFITS
<b>Compact module</b>	Fits into wide range of Arc-Flash applications
<b>Trip time &lt;1 ms</b>	Limits Arc-Flash damage and risk of injury
<b>Two optical sensor cable lengths</b>	Point sensors with 10 or 15 m of cable
<b>Inputs for two sensors</b>	Single Arc-Flash relay can monitor 2 sensors
<b>Adjustable light sensitivity</b>	Allows operation in bright environments and maximum sensitivity in dark environments
<b>Service mode</b>	Allows relay and sensor test without tripping system

## Ordering Information

ORDERING NUMBER	DESCRIPTION
D0920.0060	230 V AC +15, -30%, remains powered on after trip, slide switch instead of key switch, electronic reset button instead of mechanical reset button, CCC approved

ACCESSORIES	REQUIREMENT
A0033.0010 Detector cable 2 x 0.25 mm <sup>2</sup> w/screen. 100 m	Optional
A0220.0010 Arc Detector V-Type; 10 m cable	Required: At least one sensor per monitored zone
A0220.0020 Arc Detector V-Type; 15 m cable	
PGA-1100/D1100 Diode Logic Unit	Optional

## Accessories

**A** **A0220 Light Sensors**  
 Line-of-sight light sensor detects an arc as small as 3 kA within a 2-m half-sphere. Available with 10 or 15 m cable.

**PGA-1100/ D1100 Diode Logic Unit**  
 For tripping one circuit breaker with multiple D0920 Relays

## Specifications

<b>Supply Voltage</b>	230 V AC +15, -30%
<b>Thyristor Output</b>	325 V DC from charged capacitor, nominal energy 3.5 J
<b>Sensitivity</b>	Adjustable 2 - 24 klux
<b>Number of Sensors</b>	Max. 2
<b>Response Time</b>	Less than 1 ms
<b>Power Consumption</b>	3.5 VA
<b>Ambient Temperature</b>	-25°C to 70°C
<b>Dimensions</b>	<b>H</b> 90 mm (3.5"); <b>W</b> 105 mm (4.1"); <b>D</b> 61 mm (2.4")
<b>Certification</b>	CE, CCC