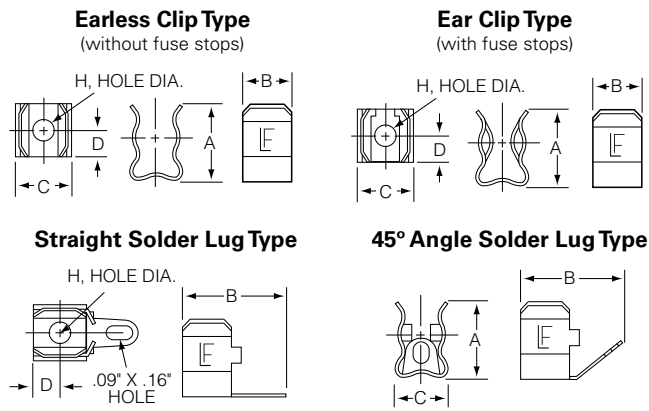


Product Dimensions



Catalog No.	Fuse Diameter	A	B	C	D	H Diameter
101001 101002 121001 121002	1/4"	.48"	.31"	.30"	.16"	.131"
101003 121004		.47"	.56"	.31"	.15"	
102064		NA				
105001 105002		13/32"	.75"	.44"	.52"	
125001 125002	.74"					
107002 127001 127002	9/16"		.94"			.59"
109001 109002 129001 129002	13/16"	1.31"	.75"	.88"	.31"	.265"

Product Characteristics

	101/102/121 Series	105/125 Series	107/127 Series	109/129 Series
Compatible Fuse Size	1/4" Dia Fuses	13/32" Dia Fuses	9/16" Dia Fuses	13/16" Dia Fuses

Additional Information



Datasheet
101 Series



Resources
101 Series



Samples
101 Series



Datasheet
102 Series



Resources
102 Series



Samples
102 Series



Datasheet
121 Series



Resources
121 Series



Samples
121 Series



Datasheet
105 Series



Resources
105 Series



Samples
105 Series



Datasheet
125 Series



Resources
125 Series



Samples
125 Series



Datasheet
107 Series



Resources
107 Series



Samples
107 Series



Datasheet
127 Series



Resources
127 Series



Samples
127 Series



Datasheet
109 Series



Resources
109 Series



Samples
109 Series



Datasheet
129 Series



Resources
129 Series



Samples
129 Series

Ordering Information

Ordering PN*	Catalog PN	Material	Plating	Style	Current Level	Packaging
0101 0001	101 001	Spring Brass	Nickel-plated	Ear	15A max	Z
0121 0001	121 001	Beryllium Copper	Silver-plated	Ear	30A max	Z
0105 0001	105 001	Spring Brass	Nickel-plated	Ear	15A max	Z
0125 0001	125 001	Beryllium Copper	Silver-plated	Ear	30A max	Z
0127 0001	127 001	Beryllium Copper	Silver-plated	Ear	30A max	Z
0109 0001	109 001	Phos. Bronze	Nickel-plated	Ear	60A max	H or Z
0129 0001	129 001	Beryllium Copper	Silver-plated	Ear	60A max	H or Z
0101 0002	101 002	Spring Brass	Nickel-plated	Earless	15A max	Z
0121 0002	121 002	Beryllium Copper	Silver-plated	Earless	30A max	Z
0105 0002	105 002	Spring Brass	Nickel-plated	Earless	15A max	Z
0125 0002	125 002	Beryllium Copper	Silver-plated	Earless	30A max	Z
0107 0002	107 002	Spring Brass	Nickel-plated	Earless	30A max	Z
0127 0002	127 002	Beryllium Copper	Silver-plated	Earless	30A max	H or Z
0109 0002	109 002	Phos. Bronze	Nickel-plated	Earless	60A max	H or Z
0129 0002	129 002	Beryllium Copper	Silver-plated	Earless	60A max	H or Z
0101 0003	101 003	Spring Brass	Tin-plated	Ear- Solder Lug 45*	15A max	Z
0121 0004	121 004	Beryllium Copper	Silver-plated	Ear- Solder Lug 45*	30A max	H or Z
0102 0064	102 064	Spring Brass	Tin-plated	Ear-Solder Lug Straight	15A max	H or Z

Add Suffix to the Ordering PN for Packaging

"H" =std. package 100 pcs per pack

"Z" =for bulk package