

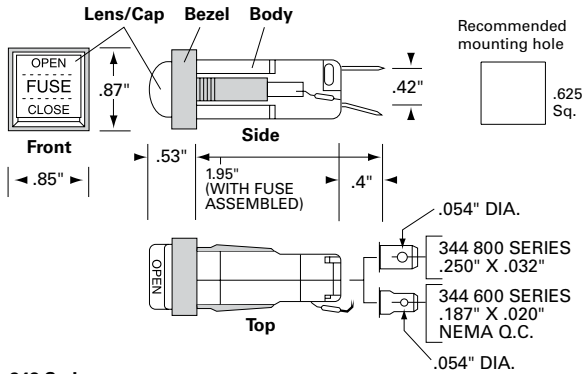
344/348 Series Blown Fuse Indicating / Low Profile Holders for 3AB/3AG Fuses



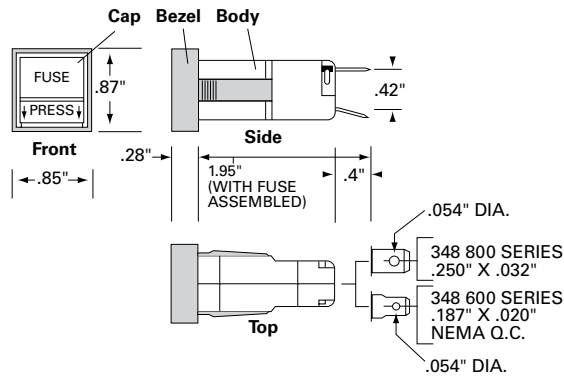
Note: Standard Body and Bezel color is black. Other Bezel colors are available as special order.

Dimensions

344 Series



348 Series



Product Characteristics

Compatible Fuses	For 3AB/3AG Type Fuses
Features	Low profile design Blown fuse indicator
Electrical	348 Series: Rated at 15 amps for any voltage up to 250 volts. 344 Series: Rated at 15 amps at lamp voltage shown below.
Dielectric Strength	1500 volts minimum. When designing indicating type fuseholders into a circuit, consideration should be given to the resistance of fractional amperage fuses and the parallel resistance of the indicator lamp and its resistor.
Mounting	Panel thickness range: .031" through .125"
Molded Parts	Black thermoplastic body (UL94 V-0). Thermoplastic bezel, cap and lens (UL94 V-2). See tables below for colors.
Terminals	Brass. Tin-plated.
Ambient Temperature	Non-indicating: -40°C to +85°C. Indicating: -40°C to +60°C.
Fuse Installation	Insert the fuse into the cap and push the assembly into the body until it latches. Press in and down to unlatch for removal.

NOTE: Refer to [Fuseology](#) for information on proper fuseholder re-rating.

Ordering Information

Catalog Number		Lamp Type	Lamp Voltage	Lamp Current	Resistor	Lens Color
3/16" O.C. Terminals	1/4" O.C. Terminals					
03440601Z	03440801Z	Incandescent	6	40 ma	No	Amber
03440602Z	03440802Z	Incandescent	14	80 ma	No	Amber
03440603Z	03440803Z	Incandescent	28	40 ma	No	Amber
03440604Z	03440804Z	Neon	120	1.2 ma	Yes	Clear
03440605Z	03440805Z	Neon	240	.3 ma	Yes	Clear

NOTE:
Standard Body and Bezel color is black. Other Bezel colors may be available as special order. Please contact Littelfuse for additional information and detailed arrangements.

Additional Information



Datasheet 344 Series



Resources 344 Series



Samples 344 Series



Datasheet 348 Series



Resources 348 Series



Samples 348 Series

Catalog Number		Bezel Color	Cap Color
3/16" O.C. Terminals	1/4" O.C. Terminals		
03480671Z	03480871Z	Black	Red
03480677Z	03480877Z	Black	Black

NOTE:
Standard Body and Bezel color is black. Other Bezel and Cap colors may be available as special order. Please contact Littelfuse for additional information and arrangements.

Disclaimer Notice - Information furnished is believed to be accurate and reliable. However, users should independently evaluate the suitability of and test each product selected for their own applications. Littelfuse products are not designed for, and may not be used in, all applications. Read complete Disclaimer Notice at: www.littelfuse.com/disclaimer-electronics.

Specifications are subject to change without notice. Application testing is strongly recommended.

© 2019 Littelfuse, Inc.
Specifications are subject to change without notice.
Revised: 05/20/19