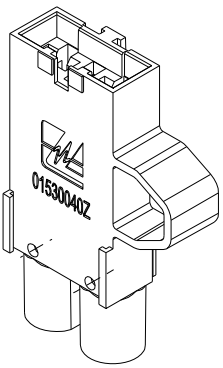
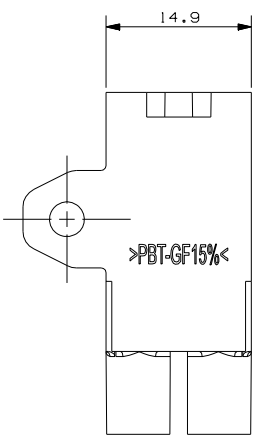
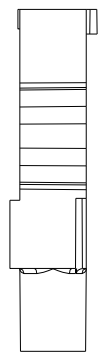
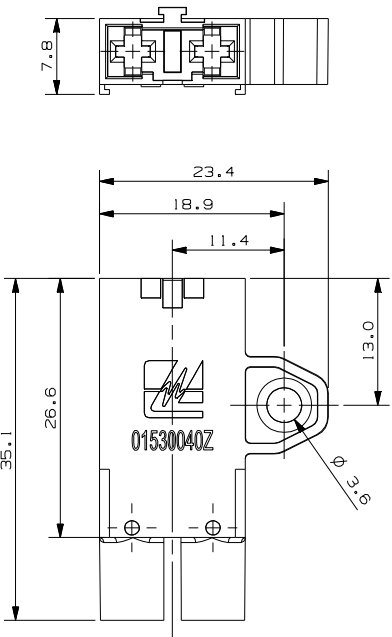


NOTES:

1. RECOMMENDED TERMINAL : TYCO JUNIOR POWER TIMER.
TERMINAL P/N : 929937-3 (WIRE SIZE RANGE: 1.5mm²-2.5mm²)
WIRE SEAL P/N : 828905-1 (WHITE)
2. PLEASE CHECK DETAILS OF TERMINAL AND SEAL FROM TYCO WEBSITE.
3. MAX.CURRENT RATING: 30A
4. MAX.VOLTAGE RATING: 58Vdc



METRIC COMPONENT

NO	COMPONENT NO	DESCRIPTION	QTY/M	U/M
BILL OF MATERIAL				
		UNLESS OTHERWISE SPECIFIED, DIMENSIONS ARE IN MILLIMETERS. DIMENSIONS IN BRACKETS () ARE INCHES		
		UNLESS OTHERWISE SPECIFIED, DIMENSIONS DO NOT INCLUDE PLATING.		
		Ⓞ DENOTES CRITICAL CHARACTERISTICS.		
		CPK DENOTES CPK DIMENSIONS. -MINIMUM CPK VALUE		
		<ST> DENOTES A CHARACTERISTIC THAT PROVIDES AN INDICATION OF PROCESS PERFORMANCE. PROCEDURE FOR MEASUREMENT AND TRACKING TO BE DEFINED IN LITTELFUSE INSPECTION INSTRUCTIONS		
		CP DENOTES CP DIMENSIONS. -MINIMUM CP VALUE MUST BE WITHIN THE DIMENSIONAL LIMITATIONS SHOWN ON DRAWING AND INITIALLY LOCATED TO ALLOW FOR MAXIMUM TOOL LIFE		

COPIES TO		MATERIAL SPEC	
1	9	UL RATED 94V-0 PBT GF15% BLACK	
2	10	FINISH	
3	12	DRW	SCALE 2:1
4	13	DATE	01/11/11
5	14	CHK	SUPER DR
6	15	DATE	
7	16	APPD	FINISH GOOD WT
8	17	53	GRAMS/PIECE
DIMENSION		TOLERANCES UNLESS OTHERWISE SPECIFIED (REF. ISO 2768-PM)	
0.5	0.1	0.1	0.1
0.1	0.05	0.05	0.05
30°	0.1	0.1	0.1
PROJECTION			
TITLE		MINI FUSE HOLDER	
		(USING TYCO TERMINAL)	
REVISION		REV. NO.	
A	5/25/11	502433E	1
RELEASE		INITIAL RLDJ	
B	9/8/11	503332E	1
FOR RECOMMENDED TERMINAL. ADD CRITICAL CHARACTERISTICS.		RLDJ	
C	10/28/11	502656E	1
DIMENSIONS AND TOLERANCE BASED ON ACTUAL PART.		RLDJ	
D	12/21/11	503977E	1
DIMENSION WAS 6.3mm, NOW 6.2mm. BASED ON ACTUAL PART.		NR	
-ADD MAX.CURRENT AND VOLTAGE RATING IN THE NOTES PER CUSTOMER REQUEST.			
E	02/09/12	504267E	1
- UPDATE NOTE 4, VOLTAGE RATING TO 58V, WAS 12V. REMOVED NON-ESSENTIAL PN DIMENSIONS FOR CLARITY			
LITTELFUSE		REVISION DRWG. NO.	
LIPA CITY, BATANGAS, PHILIPPINES		E	
		OL-01530040Z	