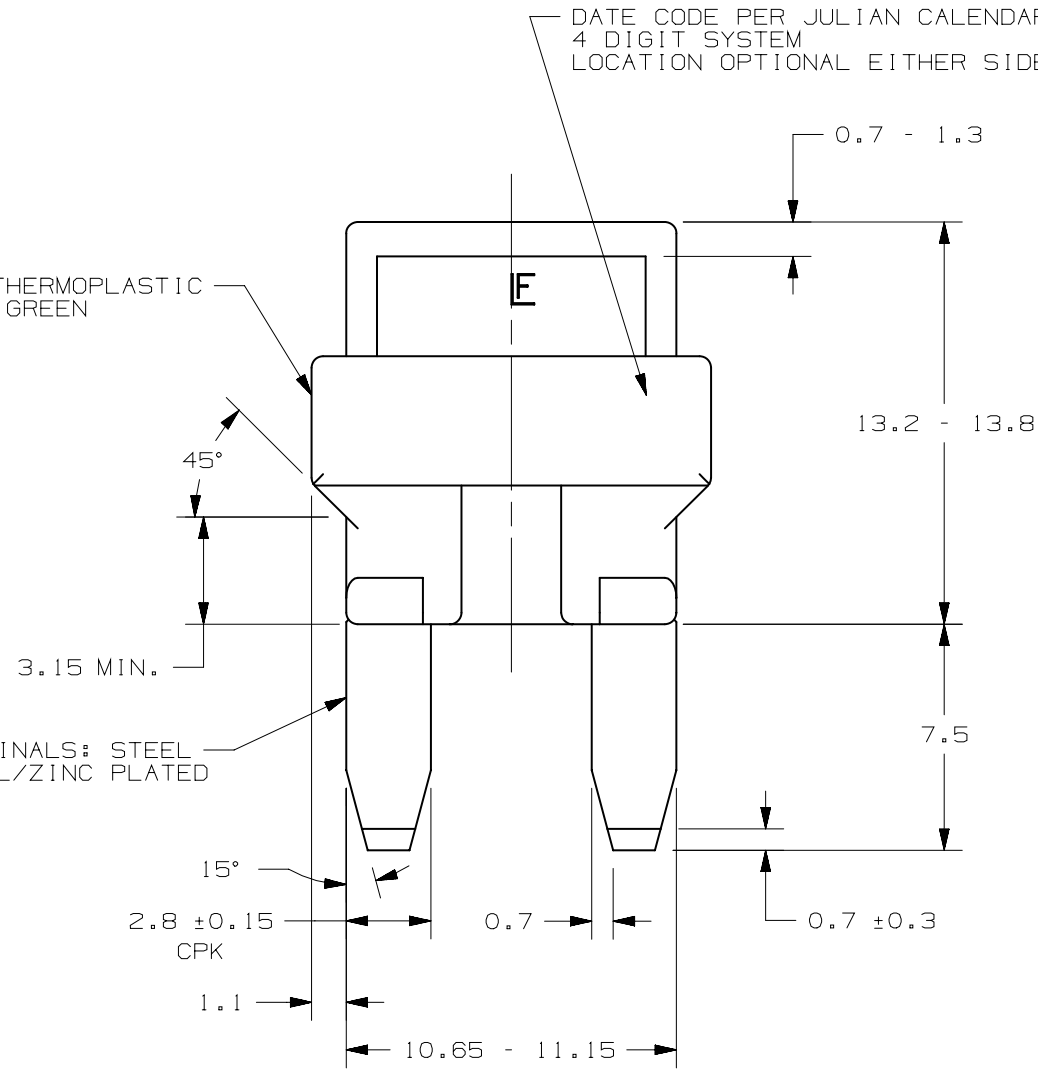


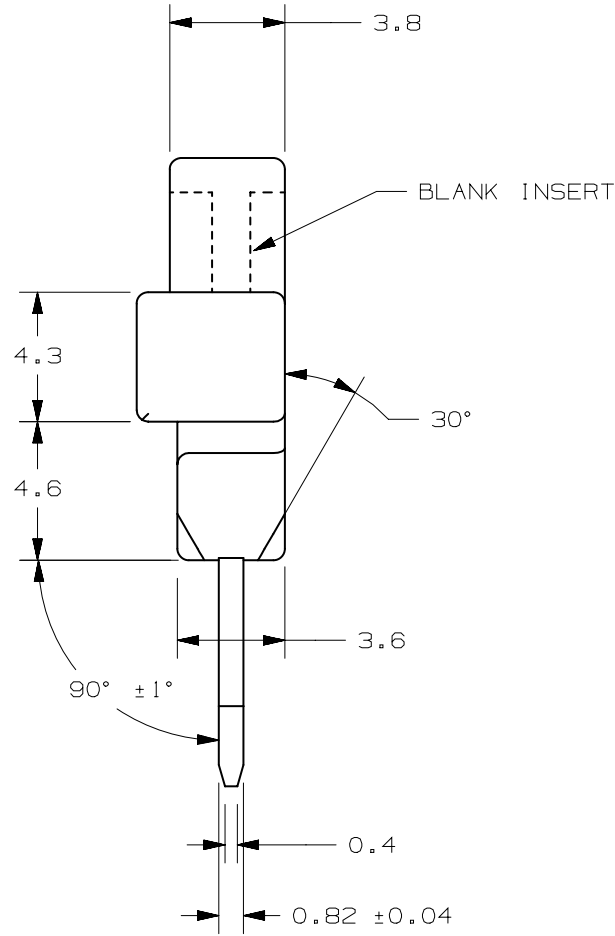
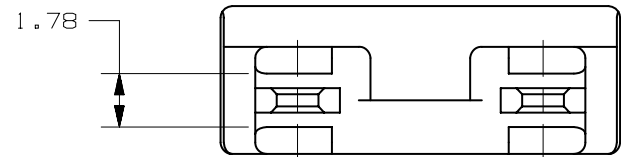
WHITE HOT STAMP
121Ω WITH NEW GOTHIC
CHARACTERS 1.98 HIGH
THIS SURFACE

DATE CODE PER JULIAN CALENDAR
4 DIGIT SYSTEM
LOCATION OPTIONAL EITHER SIDE

BODY: THERMOPLASTIC
COLOR: GREEN



TERMINALS: STEEL
NICKEL/ZINC PLATED



METRIC

NOTES:

- RESISTOR: 121 OHMS ±1% 1/2 WATT (METAL FILM)

UNLESS OTHERWISE SPECIFIED, DIMENSIONS ARE IN MILLIMETERS.
DIMENSIONS IN BRACKETS [] ARE INCHES

UNLESS OTHERWISE SPECIFIED, DIMENSIONS DO NOT INCLUDE PLATING.

⊙ DENOTES CRITICAL CHARACTERISTICS.

CPK DENOTES CPK DIMENSIONS, -MINIMUM CPK VALUE

ST DENOTES A CHARACTERISTIC THAT PROVIDES AN INDICATION OF PROCESS PERFORMANCE. PROCEDURE FOR MEASUREMENT AND TRACKING TO BE DEFINED IN LITTELFUSE INSPECTION INSTRUCTIONS

CP DENOTES CP DIMENSIONS, -MINIMUM CP VALUE MUST BE WITHIN THE DIMENSIONAL LIMITATIONS SHOWN ON DRAWING AND INITIALLY LOCATED TO ALLOW FOR MAXIMUM TOOL LIFE

NO	COMPONENT NO	DESCRIPTION	QTY/M	U/M
BILL OF MATERIAL				

LTR	DATE	REVISION	CHK	APD
A	07/18/00	60324-RELEASED	PJM	
B	04/24/02	82123D-CHG. TOLERANCES	PJM	
C	09/10/07	85439D-REDRAWN IN UG 4.3 WAS 4.6 3.6 WAS 3.8 1.8 WAS 0.7	GMB	
D	09/01/09	001215EC-REMOVED ALL CPK MARKINGS	GMB	
E	11/30/11	503801ECA-CHANGE DIMENSIONS, SEE ECO	OPL	

COPIES TO	MATL SPEC	FINISH	SCALE	GRAMS/PIECE
1 9			4:1	
2 10				
3 12				
4 13				
5 14				
6 15				
7 16				
8 17				
18				
19				
20				
21				
22				
23				
33				
43				
53				

TOLERANCE UNLESS OTHERWISE SPECIFIED
ONE PLACE DEC +/- .3
TWO PLACE DEC +/- .25
THREE PLACE DEC +/- .100
ANGULAR +/- .1°

TITLE	RESISTOR ASSEMBLY	REVISION	DRWG. NO.	OUTLINE
3RD ANGLE PROJECTION		E	02400112P	

LITTELFUSE		DES PLAINES, ILLINOIS 60016	
------------	--	-----------------------------	--