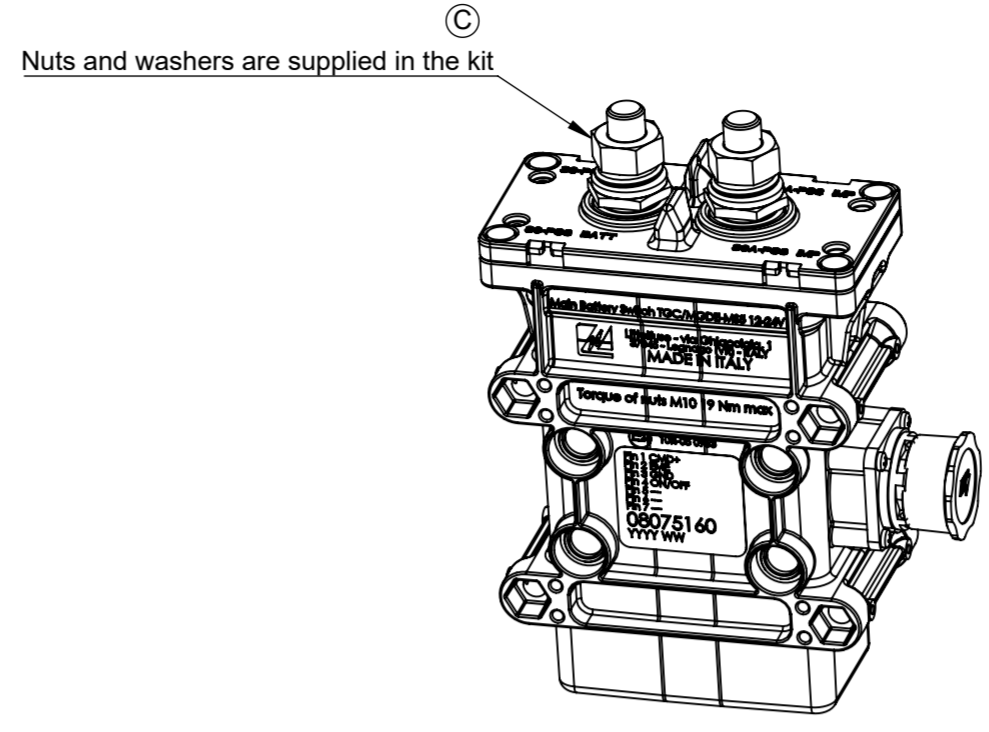
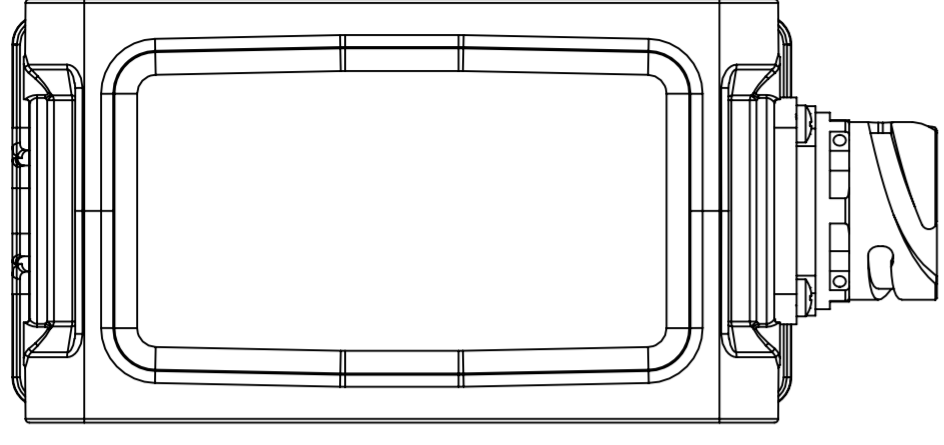
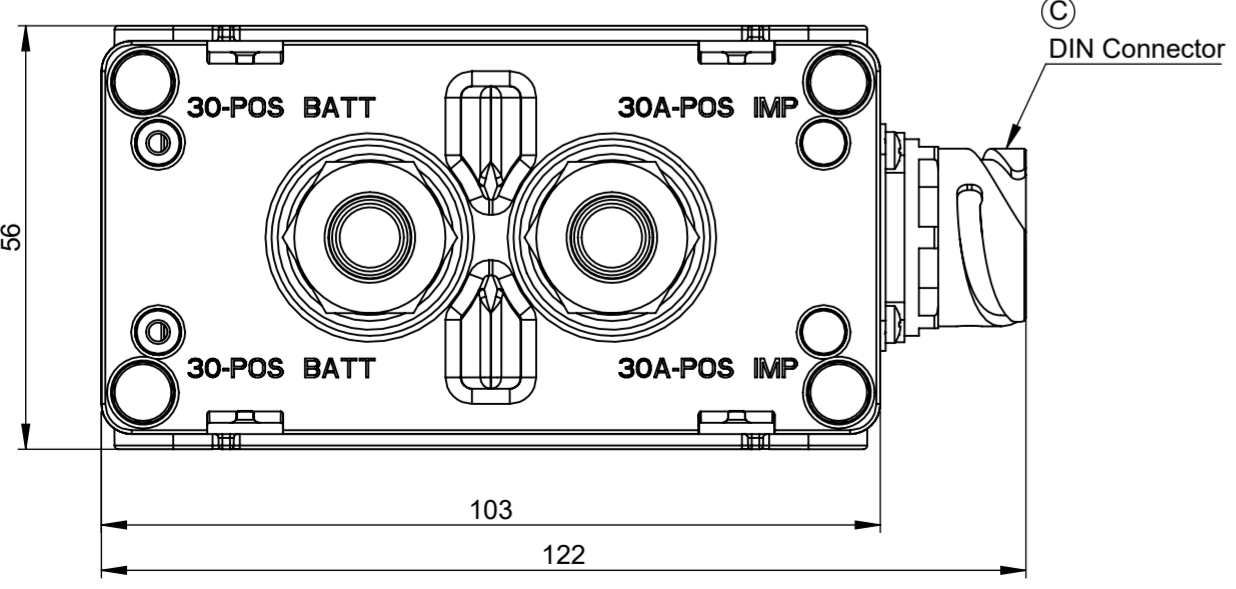
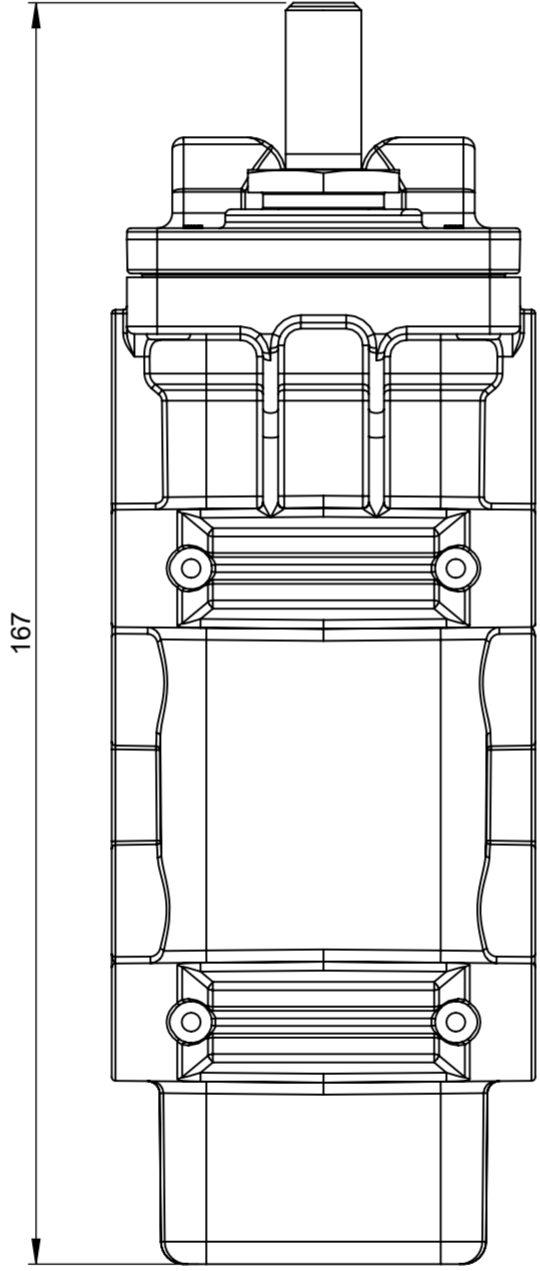
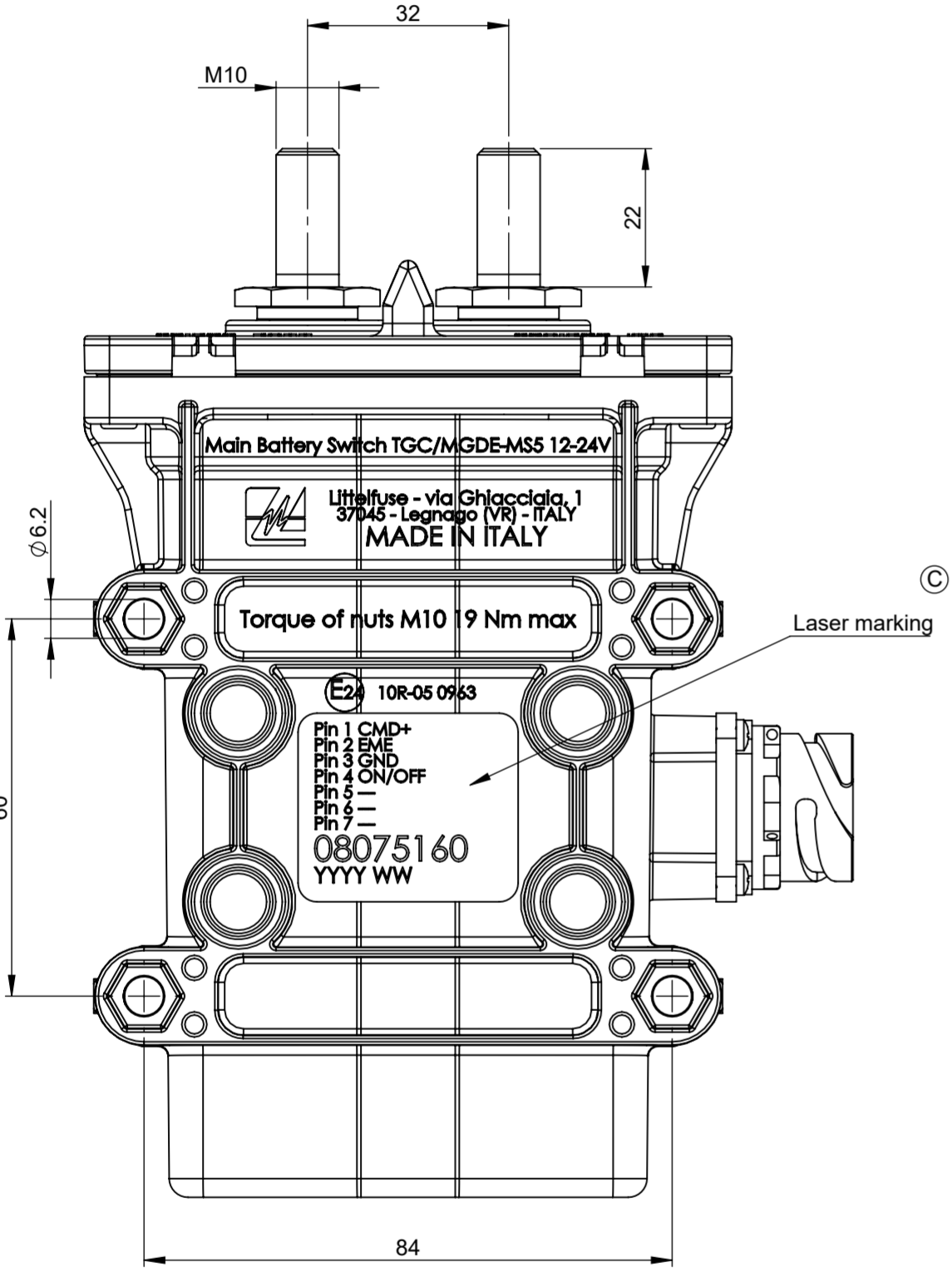


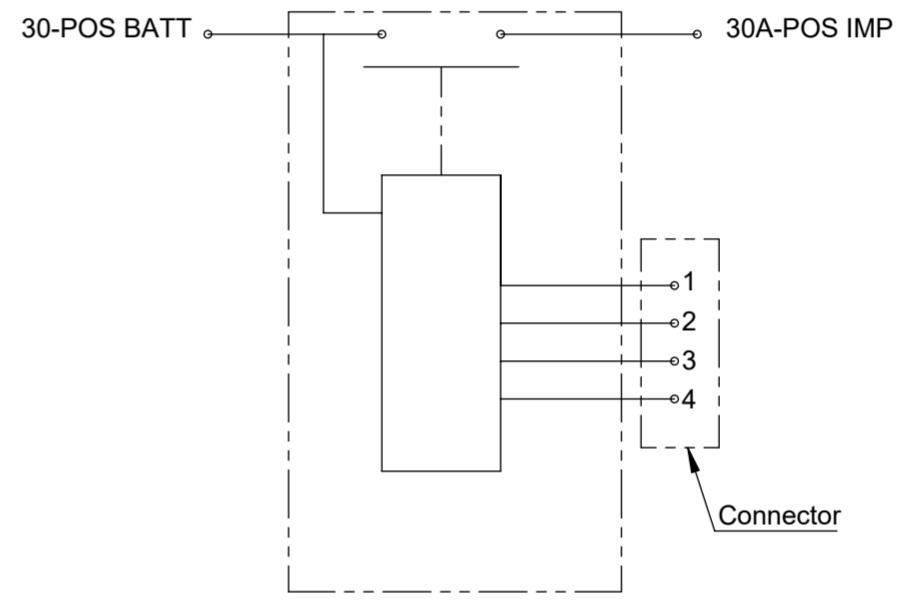
REVISIONS		DATE	DESIGNED	APPROVED
REV. A	FIRST ISSUE OF OUTLINE DRAWING	05-Jul-2019	Dal Molin	Tinto
REV. B	Removed IP degree and working temperature	07-Feb-20	Dal Molin	Tinto
REV. C	Changed laser marking and removed BOM table. Updated and added notes.	14-Jul-22	L.Dal Molin	M.Tinto



SCALE 1:2



Electrical Diagram



- 1- Main command positive supply
- 2- Emergency opening command line (immediate)
- 3- Device ground
- 4- Main closing/opening command line

- PRESCRIPTIONS**
- Torque of screw M10/12= 18 ± 1 Nm
  - Fix the device with M6 screw and with torque of 6 ± 2 Nm

- CHARACTERISTICS**
- Nominal working tension: 24V
  - Nominal working current: 10A
  - Nominal working current main contact: 500A (1h at 23°C)
  - Nominal max current main contact: 2000A for 5 sec
  - Number of electrical operations: 50.000
  - Number of mechanical operations: 150.000

DIMENSIONS AND TOLERANCES IN MILLIMETERS, DEFINED ACCORDING TO ISO 1101-2017.								
<b>linear dimensions</b>								
0,5 3	>3 6	>6 30	>30 120	>120 400	>400 1000	>1000 2000		
±0,2	±0,3	±0,5	±0,8	±1,2	±2	±3		
<b>angle (for range of lengths)</b>								
up to 10	>10 50	>50 120	>120 400	>400 1000	>1000 2000			
±1°30'	±1°	±0°30'	±0°15'					
● FIT/ FUNCTION CRITICAL CHARACTERISTICS SYMBOL								
<S> SAFETY/ COMPLIANCE CRITICAL CHARACTERISTICS SYMBOL								
CPK DENOTES CPK DIMENSIONS MINIMUM CPK VALUE								
ST DENOTES A CHARACTERISTIC THAT PROVIDES AN INDICATION OF PROCESS PERFORMANCE. PROCEDURE FOR MEASUREMENT AND TRACKING TO BE DEFINED IN LITTELFUSE INSPECTION INSTRUCTIONS								
CP DENOTES CP DIMENSIONS. MINIMUM CP VALUE MUST BE WITHIN THE DIMENSIONAL LIMITATIONS SHOWN ON DRAWING AND INITIALLY LOCATED TO ALLOW FOR MAXIMUM TOOL LIFE								
NAME		DATE		 <b>Expertise Applied   Answers Delivered</b>				
DRAWN		L. Dal Molin					07-May-19	
CHECKED		-					-	
-		-					-	
FORM NO. CVP-PE40-0013 REV A				TITLE				
FIRST ANGLE PROJECTION				TGC/MGDE-MS5 12-24V TIME DELAY 6'				
SIZE: A2				DWG. NO. OL-08075160				
DO NOT SCALE DRAWING				SCALE 1:1				
				SHEET 1 OF 1				