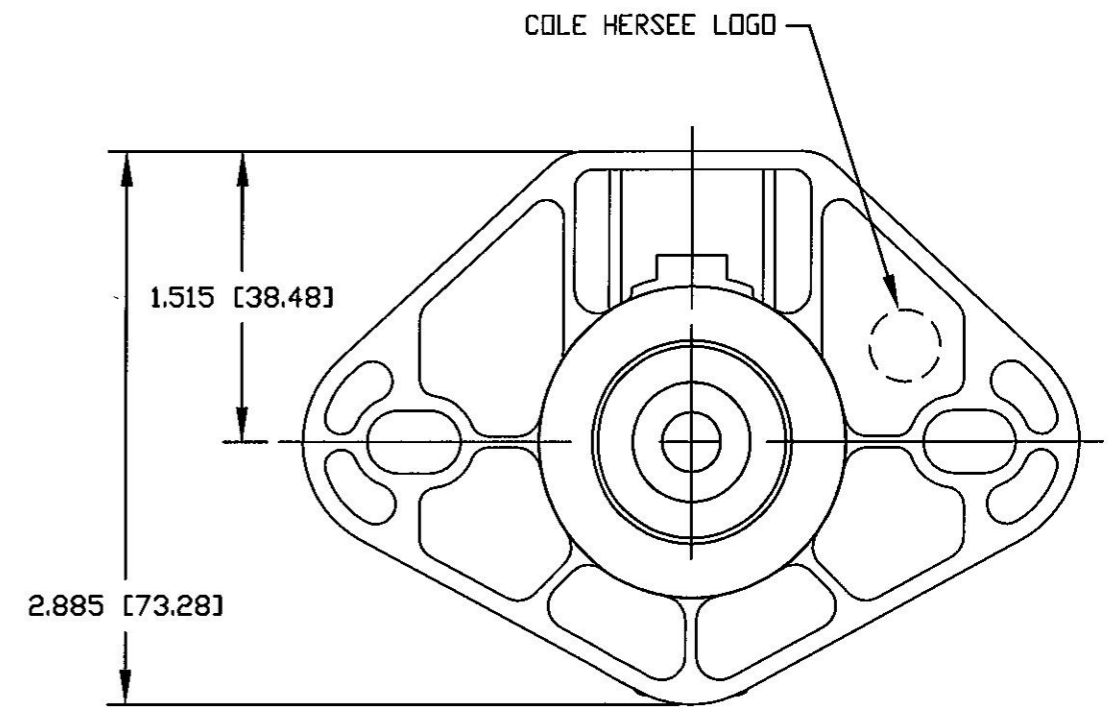
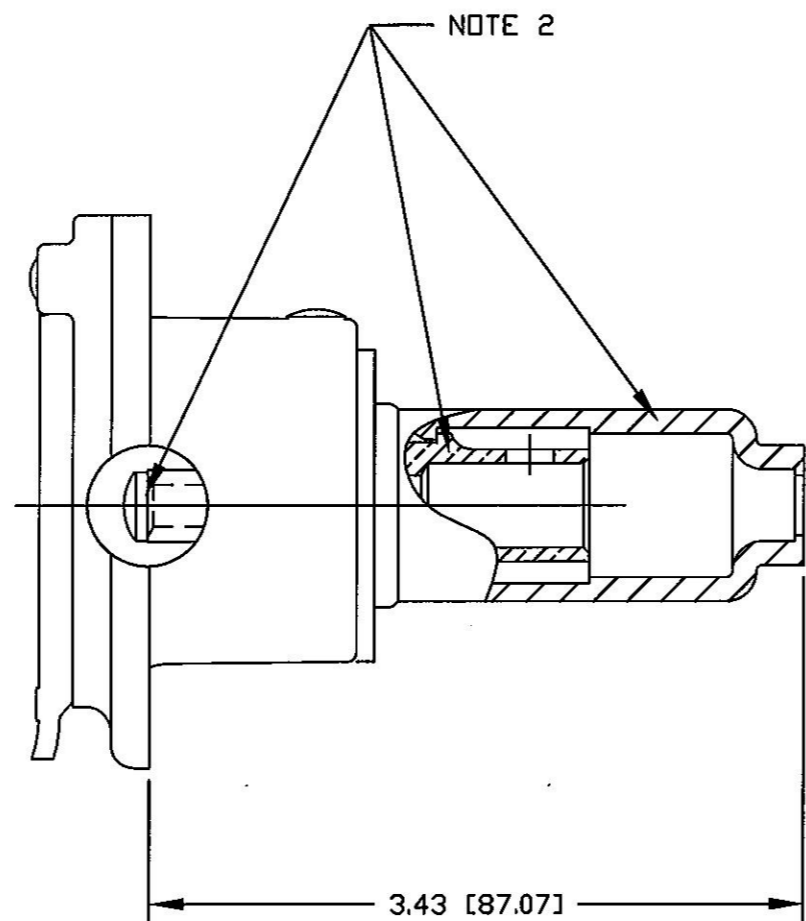
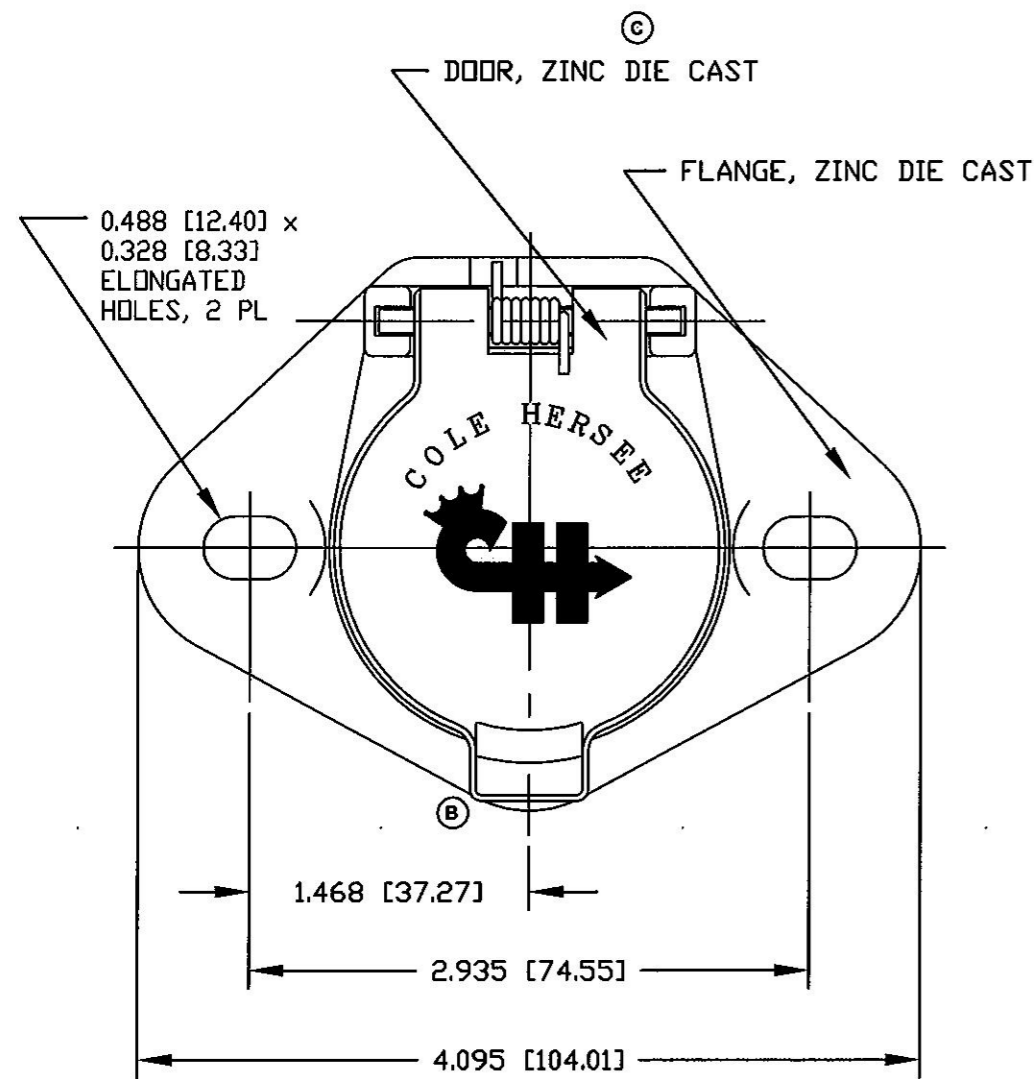


**Revision Control Record**

Rev.	Description of Change	ECN No.	Date
A	NEW DRAWING	03116	3/19/03
B	REMOVE "12063" AND "K" NEW DRAWING	04447	11/04/04
C	REVISED DOOR	09538	11/10/09



- NOTES:  
 1. ALL DIMENSIONS ARE REFERENCE  
 2. REMOVE BOOT AND PLASTIC TERMINAL BUTTON BEFORE SOLDERING CONDUCTOR TO TERMINAL.

**Tolerances** Unless otherwise specifically noted, the following are default tolerances:  
 • 2-place Decimal Dimensions  $\pm .02"$   
 • 3-place Decimal Dimensions  $\pm .005"$   
 • Angular Dimensions  $\pm 1.0$  Deg.  
 • Metric: Refer to equivalent English Dimension Tolerance  
 >>> NOTE: All tolerances are Non-Cumulative. <<<

**Dimensional Units** All dimensions are expressed in inches except those shown in brackets (xxx) are expressed in millimeters

\*REF.\* or an Asterisk (\*) = Non-Toleranced Reference Dimension, shown for clarification purposes only.

**PROPRIETARY INFORMATION** This Engineering Drawing, and the information contained herein, is proprietary to Cole Hersee Company and may not be disclosed, re-produced, or in any other way transferred or communicated to any other party without the express written consent of an authorized representative of Cole Hersee Company.

**DESIGN CONTROL** It is the responsibility of the individual using / referencing this drawing to assure that the noted design revision level agrees with the revision level of the Controlled Document (Master Drawing). This is a NON-CONTROLLED DOCUMENT unless otherwise specifically noted.

DO NOT SCALE - Dimensional variation may occur during printing / reproduction.

**Special Characteristics:**

- Critical Characteristic, relating to Safety and/or Regulatory Compliance
- Significant Characteristic relating to Process Control (SPC)
- Control Dimension relating to Form - Fit - Function as defined by Cole Hersee Company and/or the Customer

(Note that the identification of any Characteristics as being "Special" does not alter the requirement that ALL specified dimensions & tolerances must be met.)

**Cole Hersee Co.**  
 20 Old Colony Ave., South Boston, MA, 02127  
 Phn: 617-268-2100 Web: www.colehersee.com

**Description:** CONNECTOR, SOCKET, 1 POLE

**Drawing / Part No.:** 11041

**Current Rev.:** C

Used On or Ref.: Scale: **1:1** Drawn By: **SAM** Date Drawn: **3/10/03** Responsible Engineer: **SAM** Pg. 1 of 1