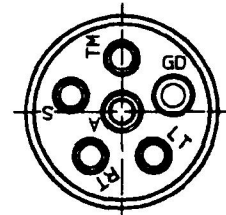
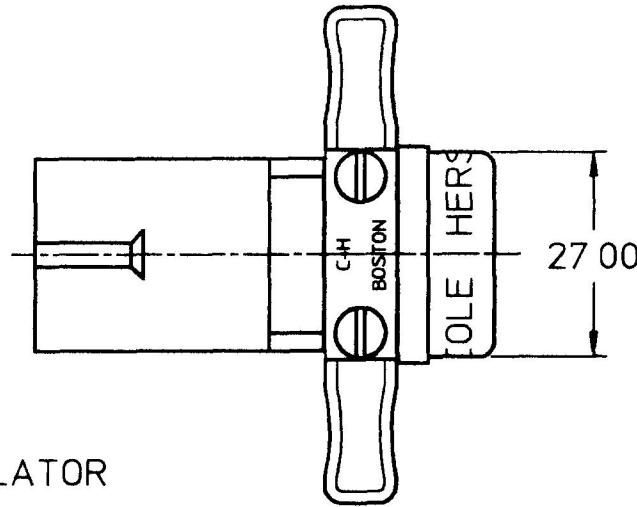
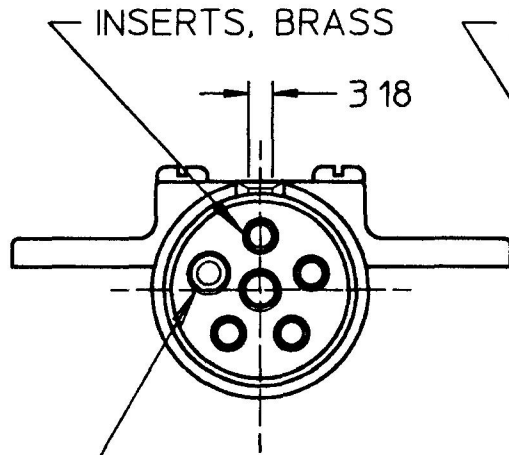


1236

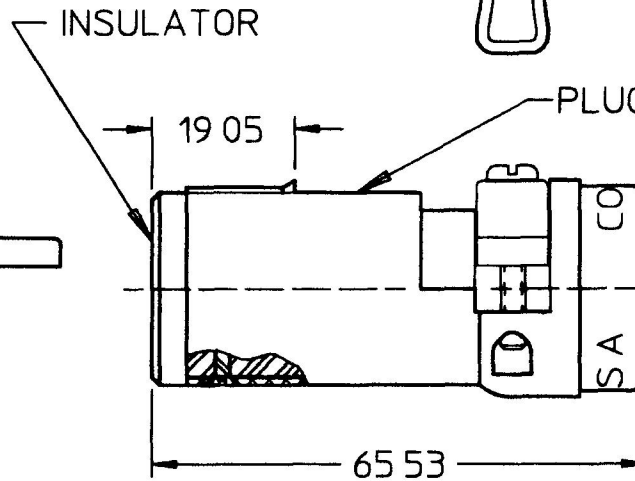
MM	IN
0 13	0 005
3 18	0 125
3 96	0 156
4 74	0 187
15 24	0 600
16 21	0 638
19 05	0 750
27 00	1 063
65 53	2 580



TERMINAL MARKINGS



INSERTS, BRASS  
 3 18  
 GROUND INSERT 4 74 DIA HOLE  
 OTHER INSERTS, (5), 3 96 DIA HOLES



- NOTES
- 1 ALL DIMENSIONS ARE REFERENCE ONLY
  - 2 ALL STEEL PARTS PLATED
  - 3 TO RECEIVE 15 24 DIA CABLE & CLAMP SECURELY THRU TOOTH-BITE PRINCIPLE

METRIC

DO NOT SCALE

LET	WAS	DATE	BY	LET	WAS	DATE	BY	MATERIAL NOTED	DRAWN	CHK	APVD	SCALE	DATE DRAWN
									DJM			11	07/14/50
								FINISH NOTED	<b>Cole Hersee Co.</b> 20 OLD COLONY AVENUE, BOSTON, MA, U.S.A. 02127				DATE BLUEPRINTED
				Y	ECN #99023	02/08/99	MCB	TOLERANCES	<b>6 WAY TRAILER                  CONNECTOR PLUG ASSY</b>				<b>1236</b>
				X	PUT ON CAD	1/27/98	JMP	DECIMAL ± ANGLE ±					