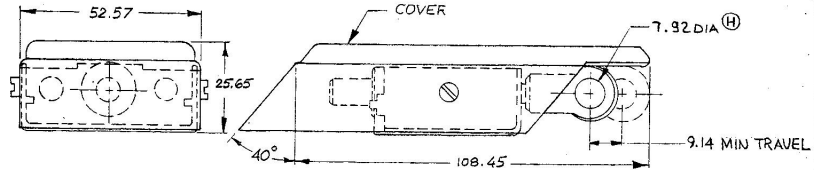
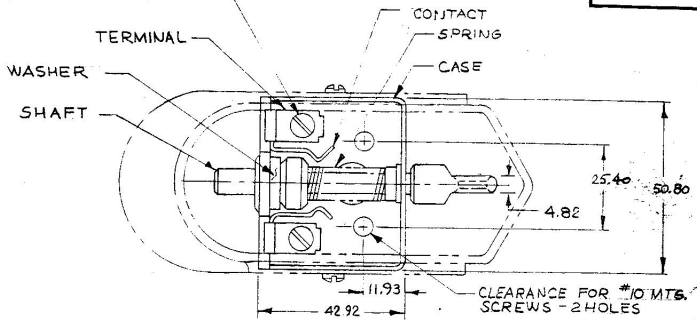


MM	IN
4.82	.19
7.92	.312
9.14	.36
11.93	.47
25.40	1.00
25.75	1.01
42.92	1.69
50.80	2.00
52.57	2.07
108.45	4.27

Confidential Property of Cole Hersee 40100

#8-32x $\frac{3}{16}$ LG. RD. HD. SCREWS



METRIC

NOTE: ALL PARTS MAY BE CAD PL. OR ZINC PL. CLEAR DICHROMATE DIP. DO NOT SCALE

LET	WAS	DATE	BY	LET	WAS	DATE	BY	MATERIAL	DRAWN	CHECKED	APPROV.	SCALE	DATE DRAWN
								RZ				1:1	3-1-65
								FINISH					DATE BLUEPRINT
				H	ECN 02317	10-7-02	ML	TOLERANCES					40100
			G	REDRAWN	3-3-87	ZU	DECIMAL ±.010 METRIC ±.025						
SIGNAL SWITCH													