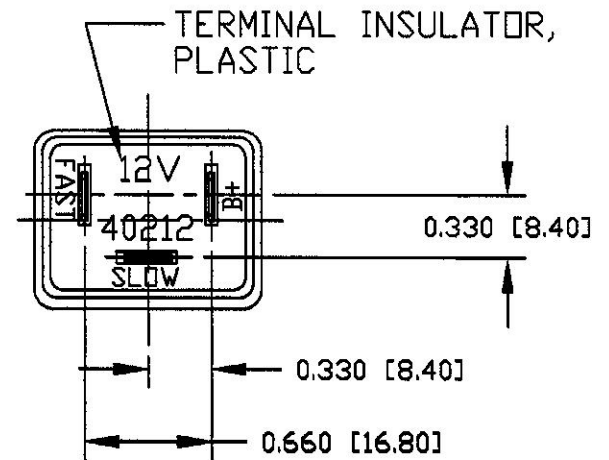
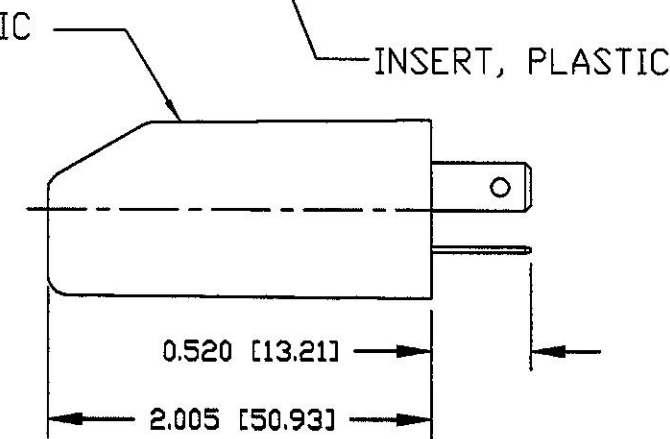
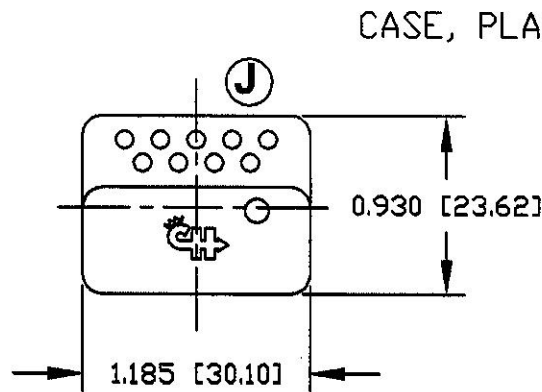
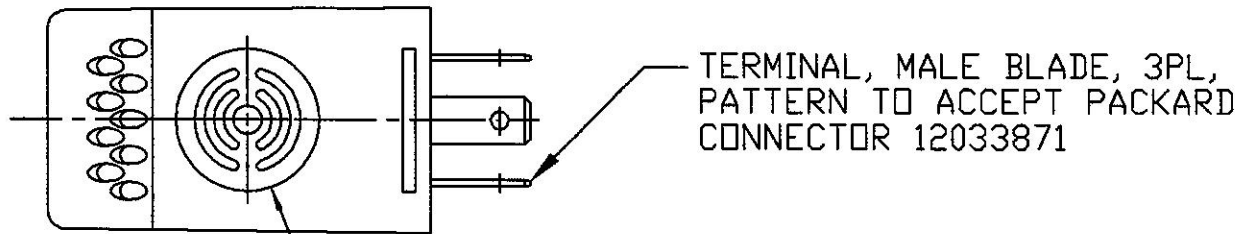
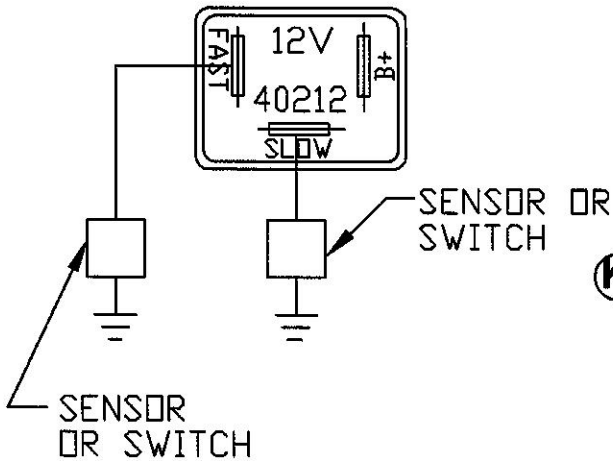


**Revision Control Record**

Rev.	Description of Change	ECN No.	Date
J	CHANGED HOLE DIA. 0.125	02016	01/18/02
K	ADD NOTE 6	06397	12/12/06

**NOTES:**

1. SOUND LEVEL 90 db MIN. AT 30.48 cm (1 FOOT)
2. SLOW RATE APPROX. 60 c.p.m.
3. FAST RATE APPROX. 120 c.p.m.
4. FREQUENCY APPROX. 4 KHz.
5. REVERSE POLARITY PROTECTED
6. ALL DIMENSIONS ARE REFERENCE ONLY UNLESS NOTED OTHERWISE



**Tolerances** - Unless otherwise specifically noted, the following are default tolerances:  
 \* 2-place Decimal Dimensions  $\pm .02^\circ$   
 \* 3-place Decimal Dimensions  $\pm .005^\circ$   
 \* Angular Dimensions  $\pm 1.0^\circ$   
 \* Metric: Refer to equivalent English Dimension Tolerance  
 >>> NOTE: All tolerances are Non-Cumulative. <<<

**Dimensional Units** - All dimensions are expressed in inches except those shown in brackets (xxx) are expressed in millimeters

**"REF." or an Asterisk (\*)** - Non-Toleranced Reference Dimension, shown for clarification purposes only.

Use On or Ref.: **EX22718**      Scale: **1:1**

**PROPRIETARY INFORMATION** - This Engineering Drawing, and the information contained herein, is proprietary to Cole Horse Company and may not be disclosed, re-produced, or in any other way transferred or communicated to any other party without the express written consent of an authorized representative of Cole Horse Company.

**DESIGN CONTROL** - It is the responsibility of the individual using/referencing this drawing to assure that the noted design revision level agrees with the revision level of the Controlled Document (Master Drawing). This is a NON-CONTROLLED DOCUMENT unless otherwise specifically noted.

**DO NOT SCALE** - Dimensional variation may occur during printing/reproduction.

Drawn By: **DPS**      Date Drawn: **01/25/88**

**Key for Special Characteristics:**

- Critical Characteristic, relating to Safety and/or Regulatory Compliance
- Significant Characteristic relating to Process Control (SPC)
- Control Dimension relating to Form - Fit - Function as defined by Cole Horse Company and/or the Customer

(Note that the identification of any Characteristics as being "Special" does not alter the requirement that ALL specified dimensions & tolerances must be met.)

Responsible Engineer: **XXXXX**      Pg. 1 of 1

**Cole Horse Co.**  
 20 Old Colony Ave., South Boston, MA, 02127  
 Phone 617-265-2100 Web: www.colehorses.com

Description: **DUAL RATE ALARM, 12V**

Drawing / Part No.: **40212**      Current Rev.: **K**