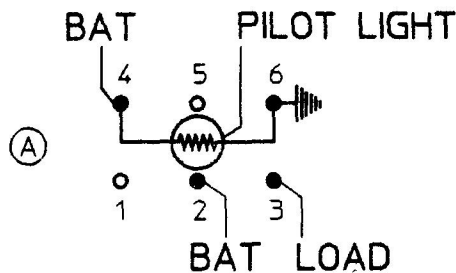
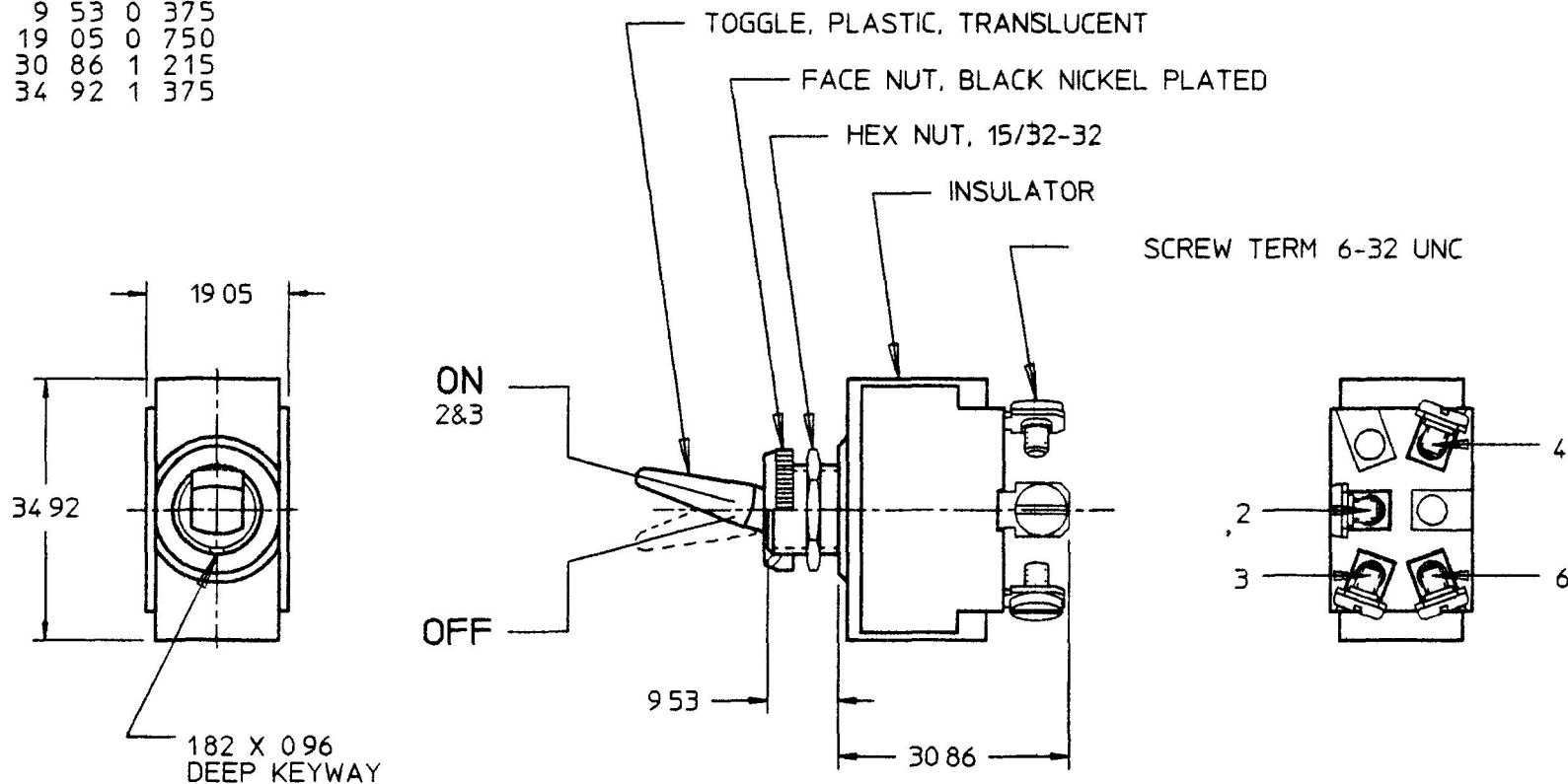


54109

MM	IN
0 96 0	0 32
1 82 0	0 72
9 53 0	3 75
19 05 0	7 50
30 86 1	2 15
34 92 1	3 75



NOTES

- 1 SILVER CONTACTS
- 2 25 AMPS @ 12V DC LAMP LOAD
- 3 INDEPENDENT PILOT LIGHT (12V BULB) @ 4 & 6 (SEE CHART FOR COLOR)
- 4 NEOPRENE SEAL IN BUSHING
- 5 ALL DIMENSIONS REFERENCE

ON	RED
OFF	WHITE
TOGGLE POS	PILOT LT 'ON' TOGGLE COLOR

METRIC

DO NOT SCALE

LET	WAS	DATE	BY	LET	WAS	DATE	BY	MATERIAL	DRAWN DPS	CHK AF	APVD	SCALE 11	DATE DRAWN 9/30/81
								FINISH	Cole Hersee Co. 20 OLD COLONY AVENUE BOSTON MA USA 02127				DATE BLUEPRINTED
				A	PUT ON CAD ECN 26129	3/5/96	EB	TOLERANCES DECIMAL ± ANGLE ±	SW, TOGGLE SPST				54109
					ISSUED	11/2/81	RJF						Confidential Property of Cole Hersee