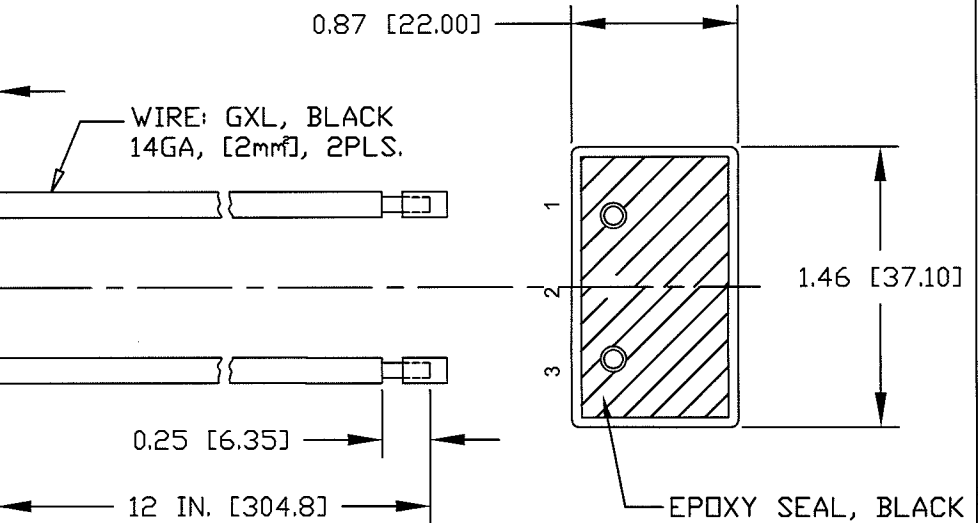
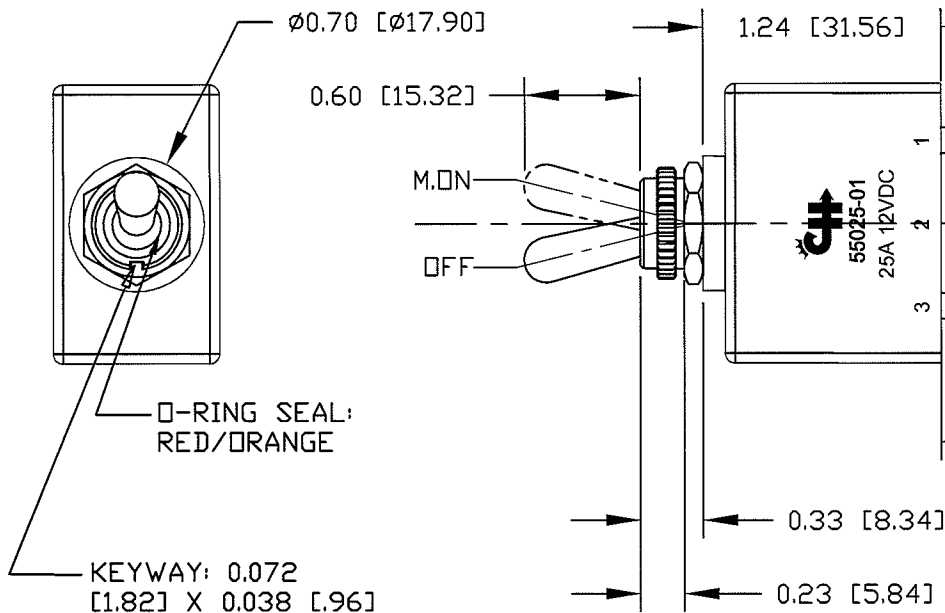
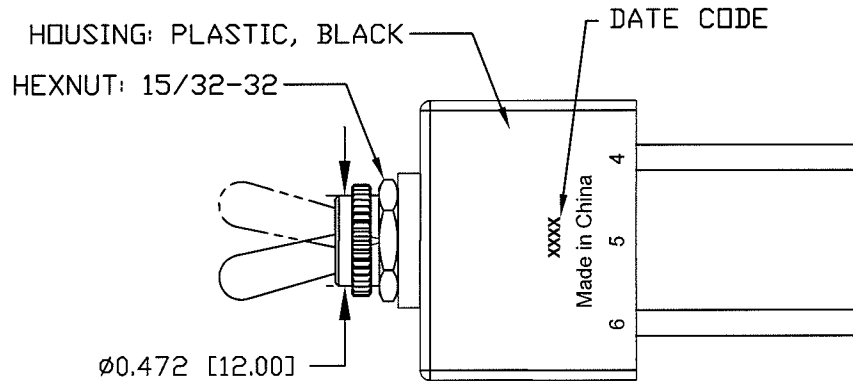


**Revision Control Record**

Rev.	Description of Change	ECN No.	Date
A	NEW DRAWING RELEASE	11430	12/7/11



- NOTES:  
 1) SEALED TOGGLE SWITCH, SPST, SILVER CONTACTS.  
 2) SEALING SPEC: IP67.  
 3) ENVIRONMENTAL: -40 TO 85°C  
 4) BUSHING, TOGGLE & HWARE: BRASS, NICKEL PLATED.  
 5) ELECTRICAL RATING: 25A @ 12vDC; 15A @ 24vDC.  
 6) ALL HARDWARE ASSEMBLED.  
 7) TOGGLE ACTUATION FORCE: 32-38 OUNCES [8.9-10.5N].

Tolerances Unless otherwise specifically noted, the following are default tolerances;

2-places  $\pm 0.02$ "    3-places  $\pm 0.005$ "    Angular  $\pm 1^\circ$

Metric: Shown in [ ] refers to equivalent English Dim Tol

"REF." or an Asterisk (\*) = Non-Toleranced Reference Dimension, shown for clarification purposes only.

NOTE: All tolerances are Non-Cumulative.

**PROPRIETARY INFORMATION**  
 This Engineering Drawing, and the information contained herein, is proprietary to Cole Hersee Company and may not be disclosed, re-produced, or in any other way transferred or communicated to any other party without the express written consent of an authorized representative of Cole Hersee Company.

**Special Characteristics:**

- Critical Characteristic, relating to Safety and/or Regulatory Compliance
- Significant Characteristic relating to Process Control
- Control Dimension relating to Form - Fit - Function as defined by Cole Hersee Company and/or the Customer



**Cole Hersee Co.**

20 Old Colony Ave., South Boston, MA, 02127  
 Phn: 617-268-2100 Web: www.colehersee.com

**Description:**

**55025-01**

Drawing / Part No.:

**SW. TOGGLE  
 OFF-M.ON**

Current Rev.

**A**