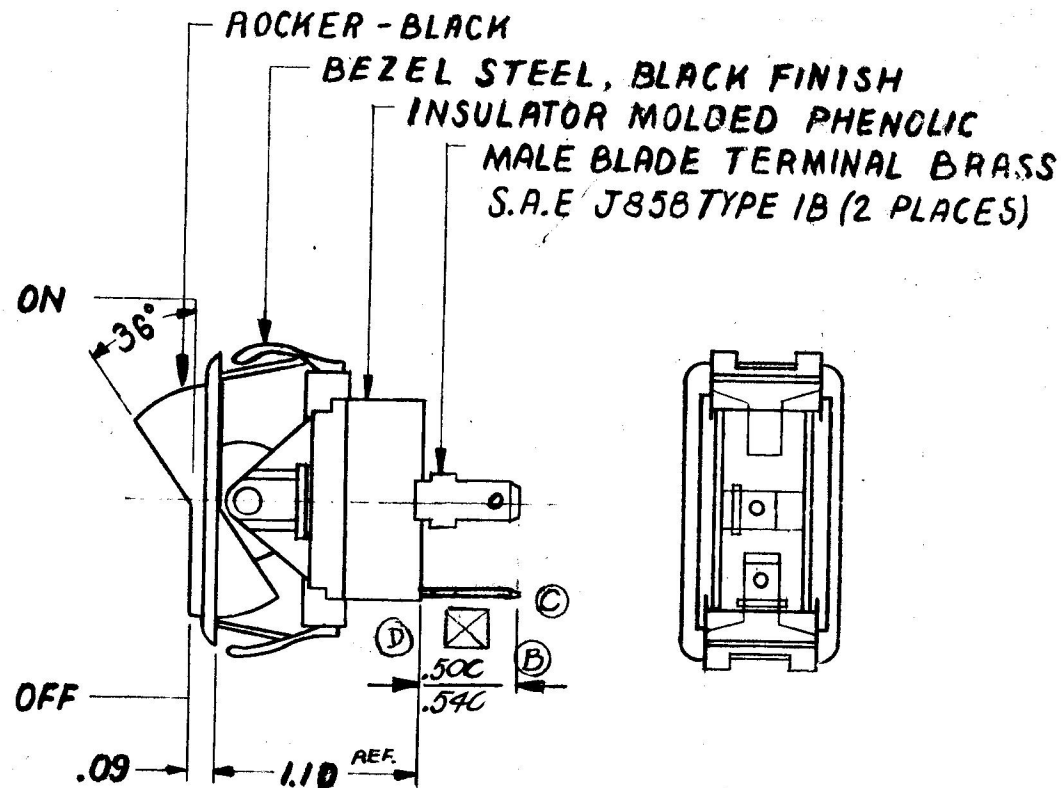
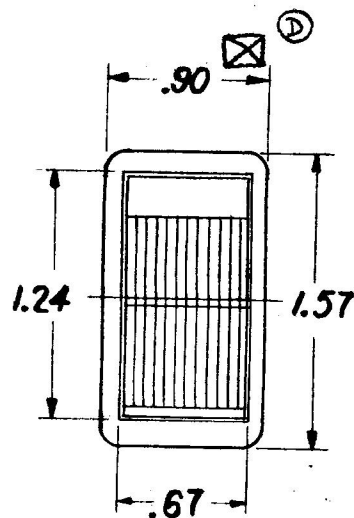
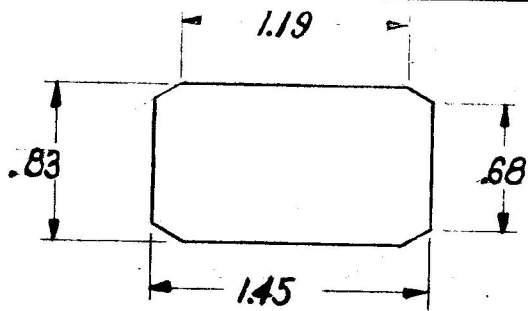


COLE-HERSEE CO.

NPM 1-24-73

57000-04



NOTES:

SILVER CONTACT RIVETS AND
SILVER CONTACT PAD.

HEAVY DUTY

25 AMPS @ 12VDC LAMP LOAD

DO NOT SCALE

LET	WAS	DATE	BY	LET	WAS	DATE	BY	MATERIAL	DRAWN	CHECKED	APPR'D.	SCALE	DATE DRAWN
				D	ADD SYMBOL	2-25-72	RF	#	R.B.	6/8/73 1-30-73		FULL	1-30-73
				C	REV TERMS	1-11-82	CB	FINISH					57000 WITH BEZEL REPLACING BRACLET'S W/ BLK. ROCKER. (A)
				B	REV 18058	3-28-73	JB						DATE BLUEPRINT
				A	ADDED 18035	3-17-73	RT	TOLERANCES					COLE-HERSEE COMPANY BOSTON, MASS. 02127, U.S.A.
					ISSUED	2-1-73	Y	FRACTIONAL ±					SINGLE POLE SINGLE THROW ROCKER SWITCH
								DECIMAL ±.015					57000-04

SPAULDING CO., INC. 47570