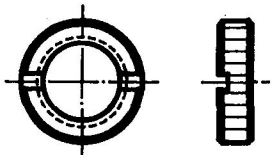


59024-35

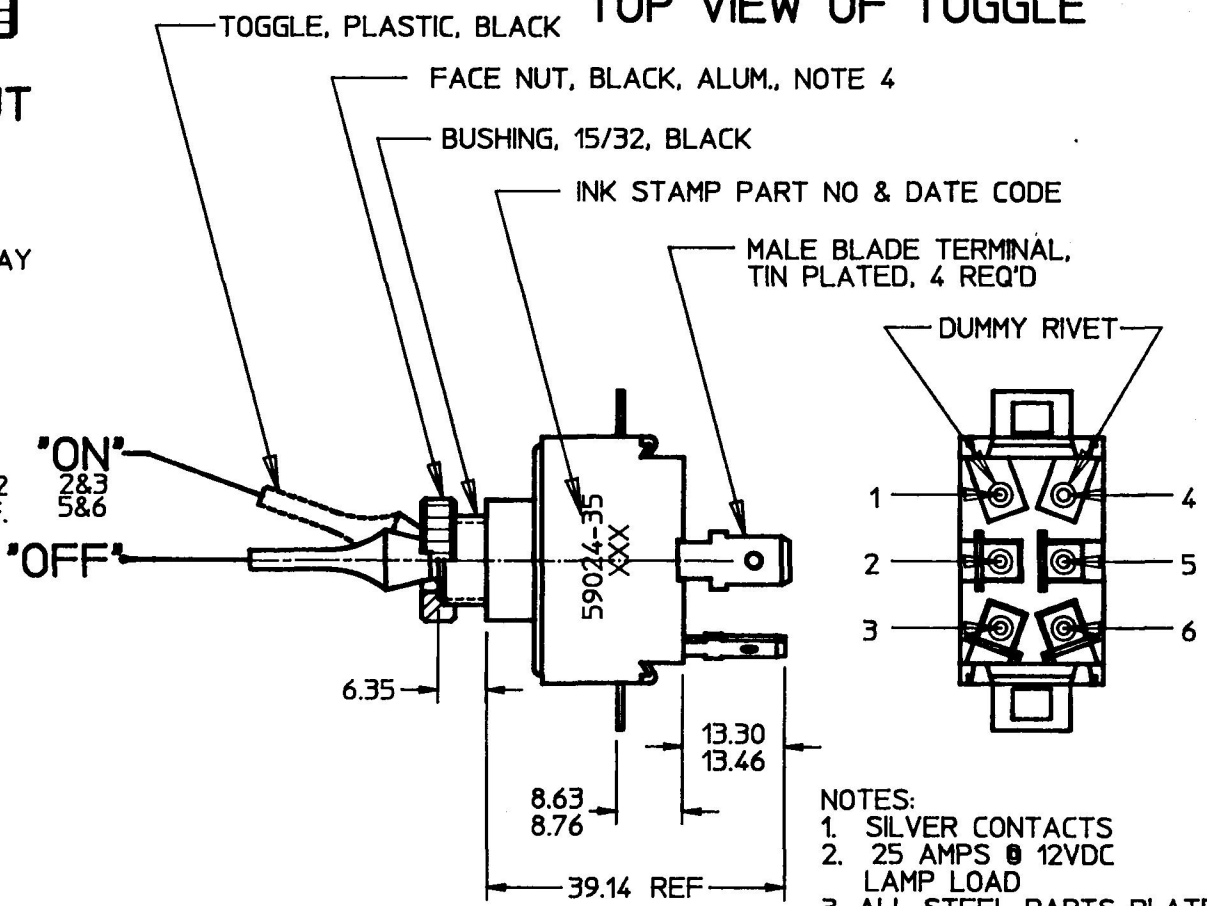
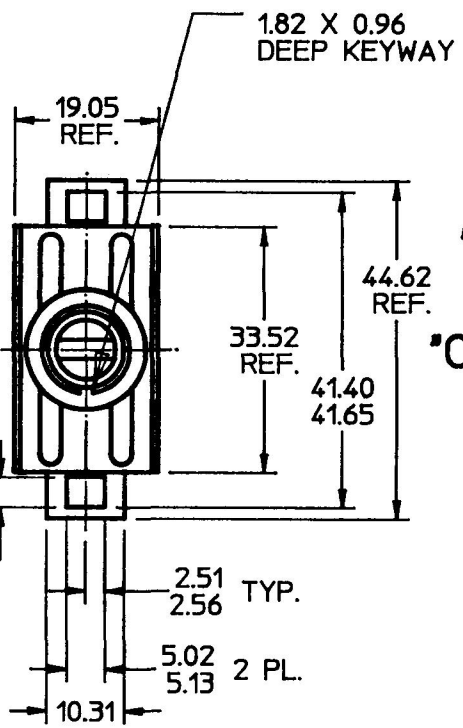
MM	IN
0.96	0.038
1.82	0.072
2.51	0.099
2.56	0.101
3.97	0.156
5.02	0.198
5.13	0.202
6.35	0.250
8.63	0.340
8.76	0.345
10.31	0.406
13.30	0.524
13.46	0.530
19.05	0.750
20.70	0.815
20.83	0.820
33.52	1.320
39.14	1.541
41.40	1.630
41.65	1.640
44.62	1.756



98164 FACE NUT



TOP VIEW OF TOGGLE



- NOTES:
1. SILVER CONTACTS
  2. 25 AMPS @ 12VDC LAMP LOAD
  3. ALL STEEL PARTS PLATED
  4. FACE NUT ASSEMBLED
  5. PHENOLIC CONTACT PINS

METRIC

DO NOT SCALE  
CAD GENERATED

LET.	WAS	DATE	BY	LET.	WAS	DATE	BY	MATERIAL	DRAWN	CHK	APVD	SCALE	DATE DRAWN
									LIZ	<i>[Signature]</i>		1:1	9/8/87
								FINISH					DATE BLUEPRINTED
				C1	PUT ON CAD	1/5/89	DPS		 20 OLD COLONY AVENUE, SOUTH BOSTON, MA, U.S.A. 02127				
				C	REVISED DMS/EON 23947	1/5/89	DPS						
					ISSUED	5/3/88	AF	TOLERANCES DECIMAL ± ANGLE ±	SWITCH TOGGLE D.P.S.T.				59024-35