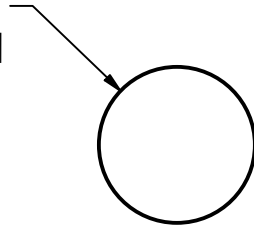


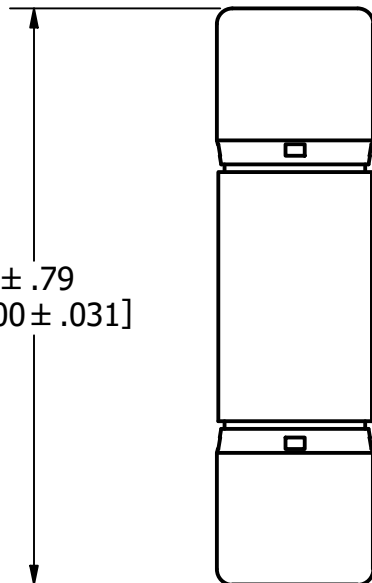
REVISION		
REV	DATE	DESCRIPTION
A	8/9/22	525548GCP - RELEASE MRY

$\varnothing 10.3 \pm .10$   
 $[\varnothing .406 \pm .004]$



APPROXIMATE SHIPPING WEIGHT: 10 FUSES / 0.17 LBS.

$38.1 \pm .79$   
 $[1.500 \pm .031]$



1				
NO	COMPONENT NO	DESCRIPTION	QTY/M	U/M

**BILL OF MATERIAL**

<S>	CRITICAL CHARACTERISTIC FOR PART SAFETY/COMPLIANCE			
●	DENOTES CRITICAL CHARACTERISTICS.			
CPK	DENOTES CPK DIMENSIONS, -MINIMUM CPK VALUE			
ST	DENOTES A CHARACTERISTIC THAT PROVIDES AN INDICATION OF PROCESS PERFORMANCE. PROCEDURE FOR MEASUREMENT AND TRACKING TO BE DEFINED IN LITTELFUSE INSPECTION INSTRUCTIONS.			
CP	DENOTES CP DIMENSIONS, -MINIMUM CP VALUE MUST BE WITHIN THE DIMENSIONAL LIMITATIONS SHOWN ON DRAWING AND INITIALLY LOCATED TO ALLOW FOR MAXIMUM TOOL LIFE.			<b>A</b>


MATL SPEC	FINISH		
-----------	--------	--	--

DRW JMoler	DATE 8/8/2022	SCALE NTS	FINISH GOOD WT GRAMS/PIECE
---------------	------------------	--------------	-------------------------------

UNLESS OTHERWISE SPECIFIED, DIMENSIONS ARE IN MILLIMETERS, DIMENSIONS IN BRACKETS [ ] ARE INCHES DIMENSIONING AND DO NOT INCLUDE PLATING. TOLERANCING TO BE INTERPRETED IN ACCORDANCE WITH ANSI Y14.5M-1994

3RD ANGLE PROJECTION	
----------------------	--

<b>TITLE</b>	593 1/10-30A OUTLINE
--------------	----------------------

 CHICAGO, ILLINOIS 60631	REVISION	DRWG NO.	SHEET 1 OF 1
	A	OL-0593030	