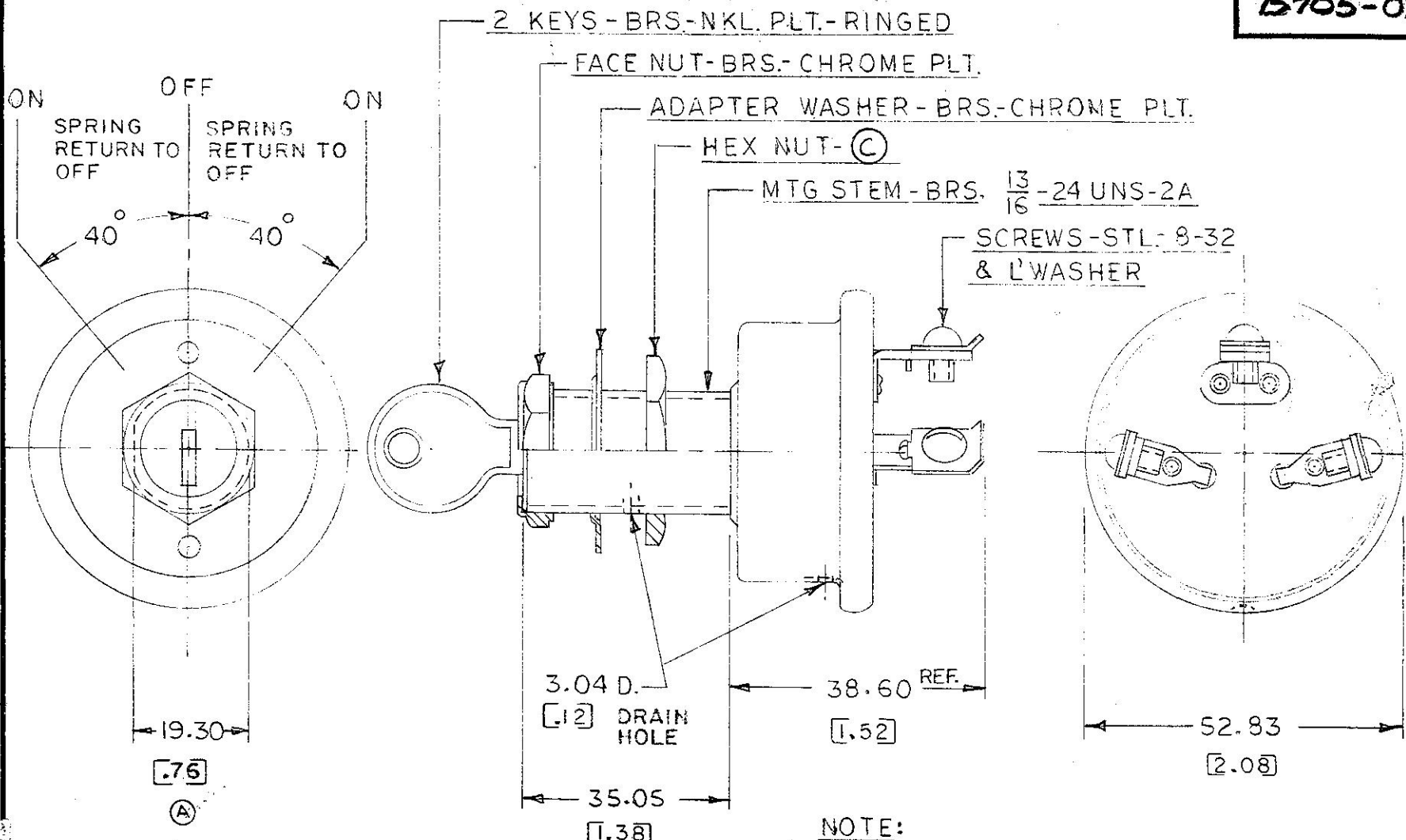


EX-17290

75705-01



- NOTE:
- (B) 1. ALL STL. PARTS PLATED
  - 2. DIMENSIONS: MILLIMETERS [INCH]
  - (A) 3. O-RING SEAL AT MTG. STEM

Confidential Property of Cole Hersee

DO NOT SCALE

LET	WAS	DATE	BY	LET	WAS	DATE	BY	MATERIAL	DRAWN	CHECKED	APPR'VD.	SCALE	DATE DRAWN
								#	EA	CS		1=1	5-23-75
								FINISH	<b>COLE-HERSEE COMPANY</b> BOSTON, MASS. 02127, U.S.A.				DATE RECEIVED
								#					
				C	ECN	06023	2-2-06		<b>FORWARD &amp; REVERSE SWITCH</b>				<b>75705-01</b>
				B	25734	10/6/01		TOLERANCES					
								FRACTIONAL ±					
								DECIMAL ±0					