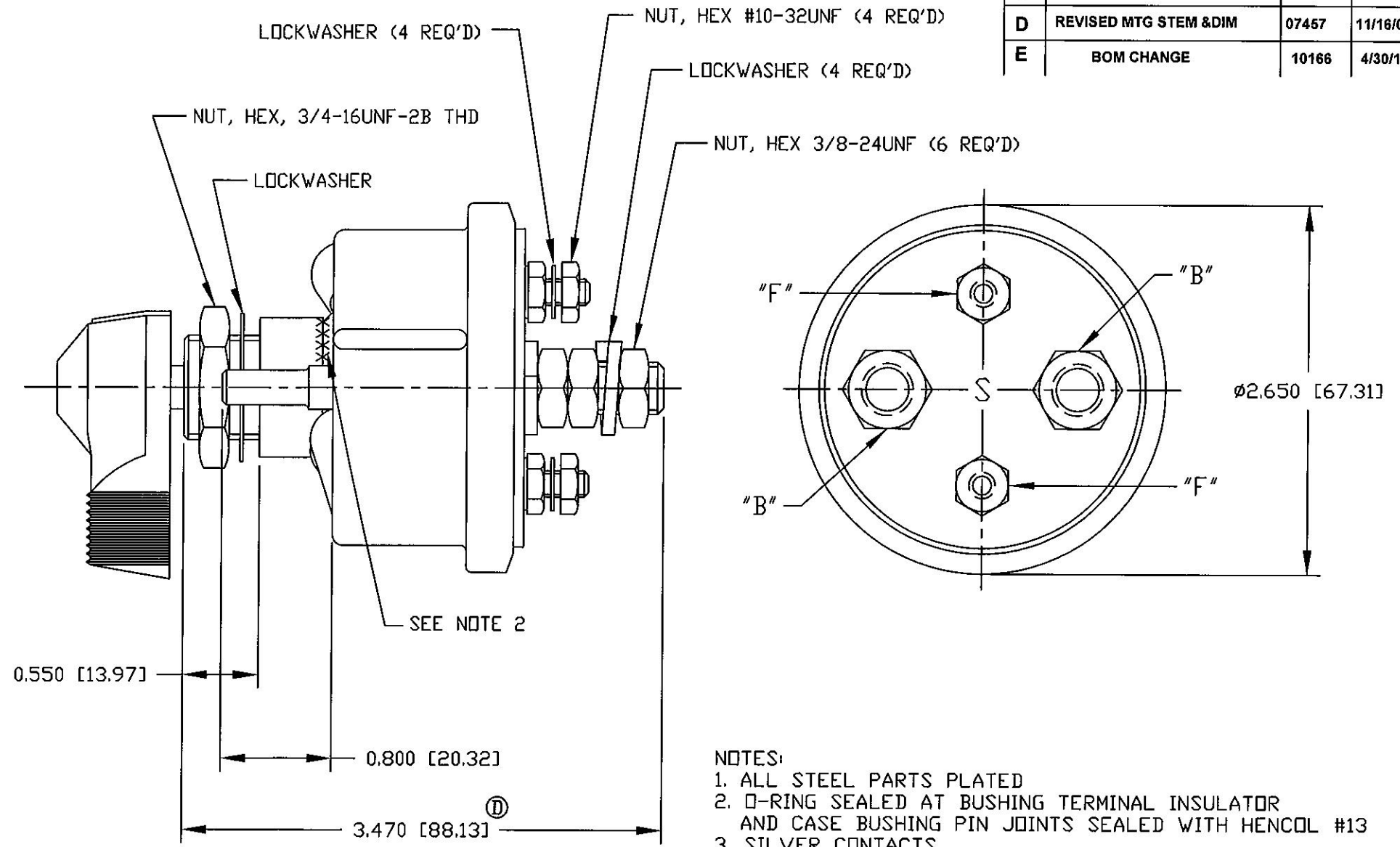
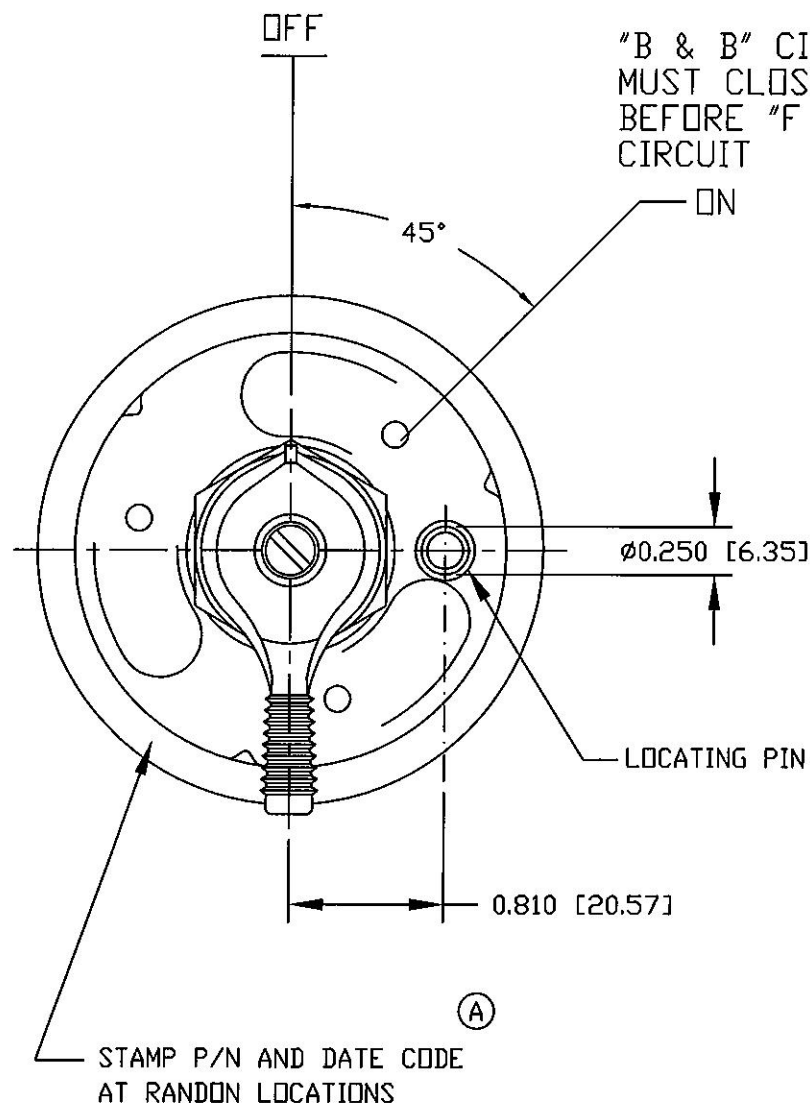


**Revision Control Record**

Rev.	Description of Change	ECN No.	Date
A	ADDED NOTE WITH STAMP LOCATION	02188	4/04/02
B	REVISED NOTES	05142	3/21/05
C	REVISED RATINGS	05199	05/10/05
D	REVISED MTG STEM & DIM	07457	11/16/07
E	BOM CHANGE	10166	4/30/10

"F & F" CIRCUIT  
MUST OPEN  
BEFORE "B & B"  
CIRCUIT

"B & B" CIRCUIT  
MUST CLOSE  
BEFORE "F & F"  
CIRCUIT



- NOTES:
1. ALL STEEL PARTS PLATED
  2. O-RING SEALED AT BUSHING TERMINAL INSULATOR AND CASE BUSHING PIN JOINTS SEALED WITH HENCOL #13
  3. SILVER CONTACTS
  4. ALL DIMENSIONS REFERENCE
  5. FOR USE WITH ALTERNATOR OR GENERATOR SYSTEMS
  6. SWITCH DESIGN TO MEET SAE J1455.4.4.3

RATINGS:  
CONTINUOUS RATING:  
6-12-24-36 VOLTS DC,  
LARGE STUDS ("B" TERMINALS): 175 AMPS (C)  
SMALL STUDS ("F" TERMINALS): 20 AMPS

INTERMITTENT RATING:  
6-12-24-36 VOLTS DC,  
LARGE STUDS ("B" TERMINALS): 1000 AMPS (C)  
15 SEC "ON", 5 MIN "OFF"

**Tolerances** Unless otherwise specifically noted, the following are default tolerances:  
 \* 2-place Decimal Dimensions +/- .02"  
 \* 3-place Decimal Dimensions +/- .005"  
 \* Angular Dimensions +/- 1.0 Deg.  
 \* Metric: Refer to equivalent English Dimension Tolerance  
 >>> NOTE: All tolerances are Non-Cumulative. <<<

**Dimensional Units** All dimensions are expressed in inches except those shown in brackets (xxx) are expressed in millimeters

"REF." or an Asterisk (\*) = Non-Toleranced Reference Dimension, shown for clarification purposes only.

**PROPRIETARY INFORMATION** This Engineering Drawing, and the information contained herein, is proprietary to Cole Hersee Company and may not be disclosed, re-produced, or in any other way transferred or communicated to any other party without the express written consent of an authorized representative of Cole Hersee Company.

**DESIGN CONTROL** It is the responsibility of the individual using/ referencing this drawing to assure that the noted design revision level agrees with the revision level of the Controlled Document (Master Drawing). This is a NON-CONTROLLED DOCUMENT unless otherwise specifically noted.

DO NOT SCALE - Dimensional variation may occur during printing/ reproduction.

**Key for Special Characteristics:**

CC Critical Characteristic, relating to Safety and/or Regulatory Compliance

X Significant Characteristic relating to Process Control (SPC)

CD Control Dimension relating to Form - Fit - Function as defined by Cole Hersee Company and/or the Customer

(Note that the identification of any Characteristics as being "Special" does not alter the requirement that ALL specified dimensions & tolerances must be met.)

**Cole Hersee Co.**  
 20 Old Colony Ave., South Boston, MA, 02127  
 Phn: 617-268-2100 Web: www.colehersee.com

**Description:**  
 SW, MASTER DISCONNECT

**Drawing / Part No.:** 75904-07

**Current Rev.:** E

Scale: 1:1  
 Drawn By: RO  
 Date Drawn: 3/9/89  
 Responsible Engineer:  
 Pg. 1 of 1