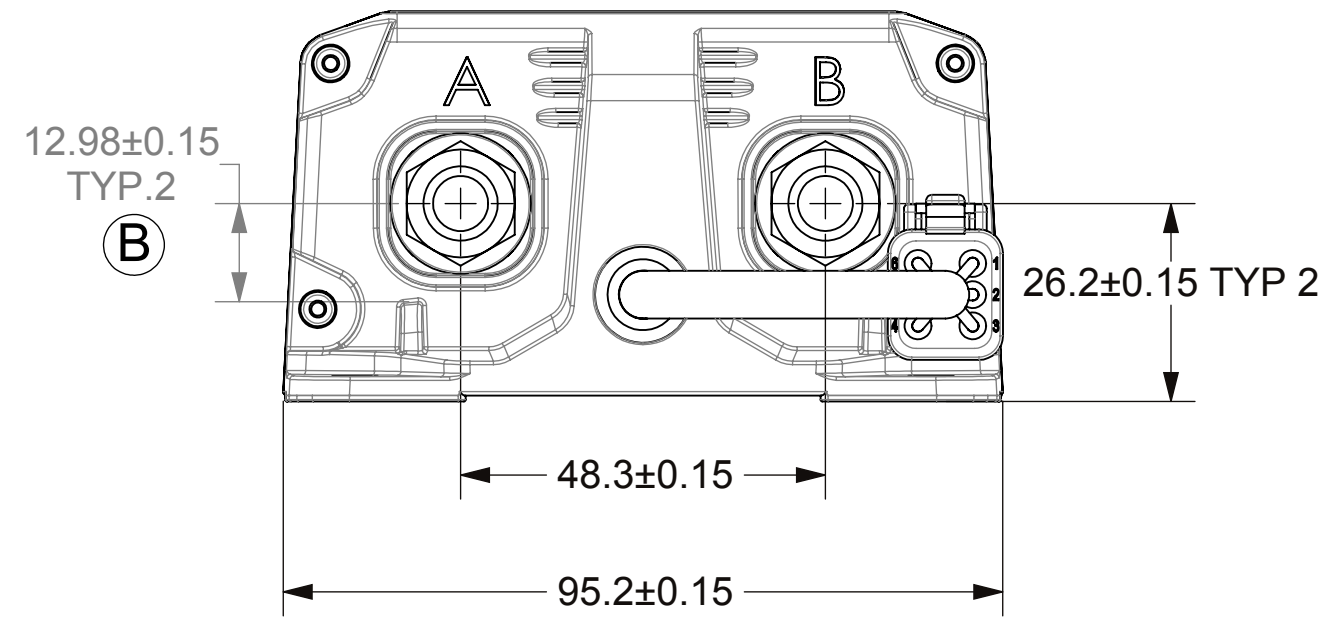
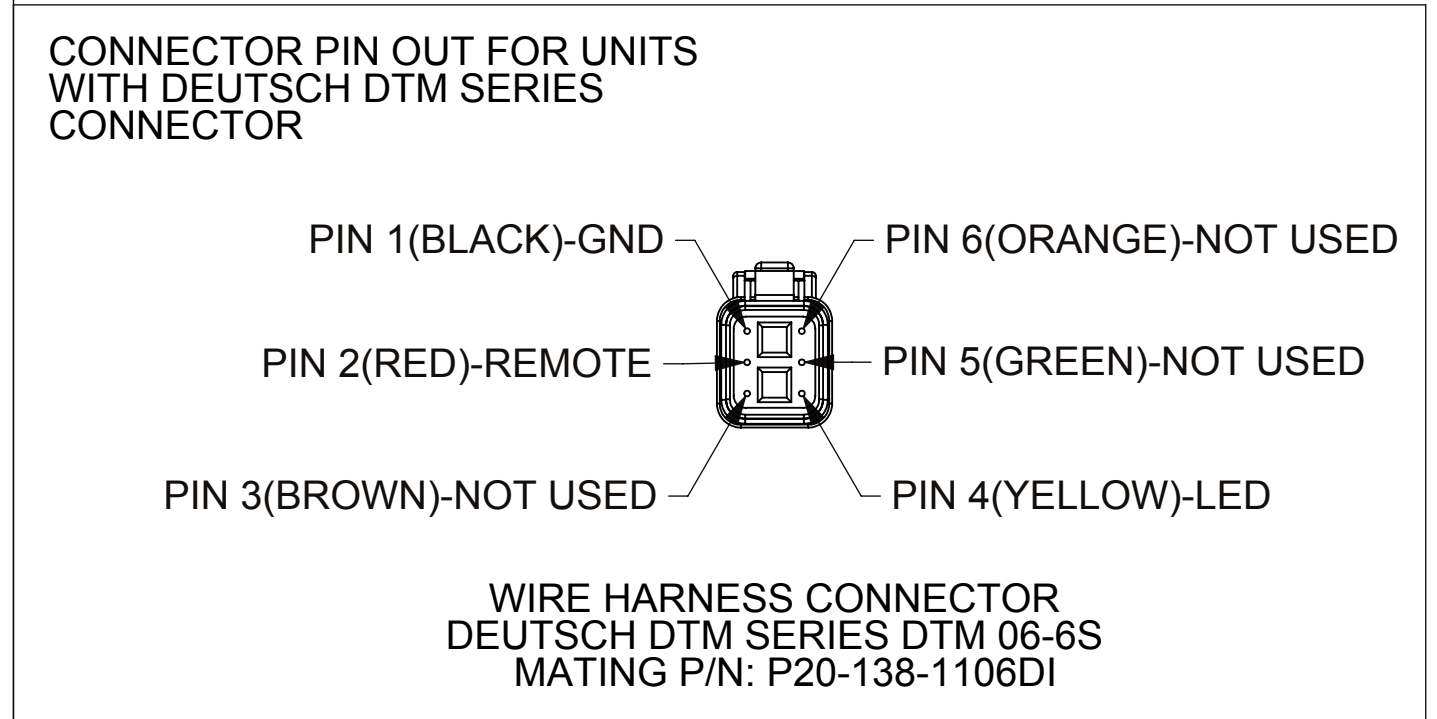
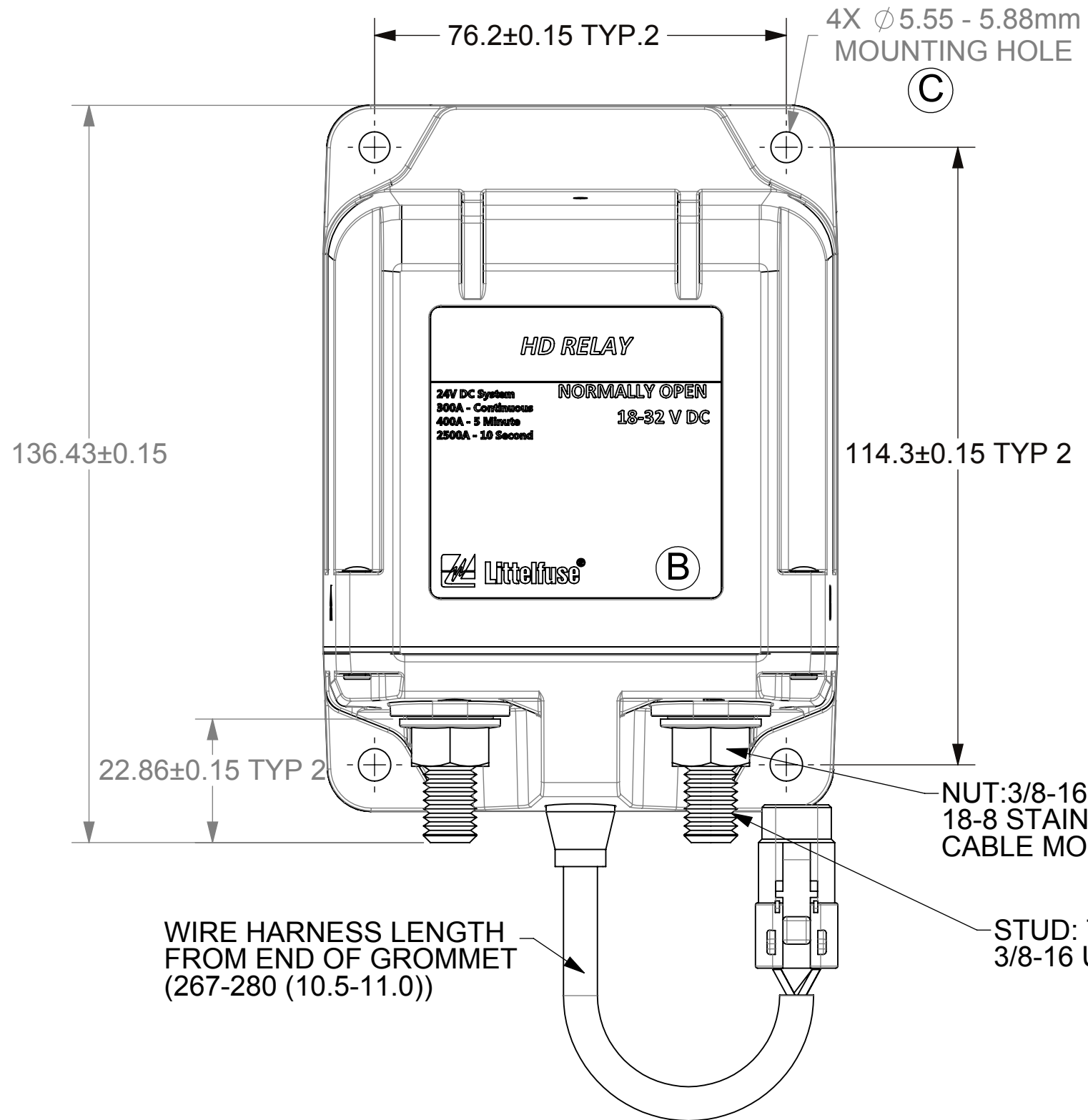
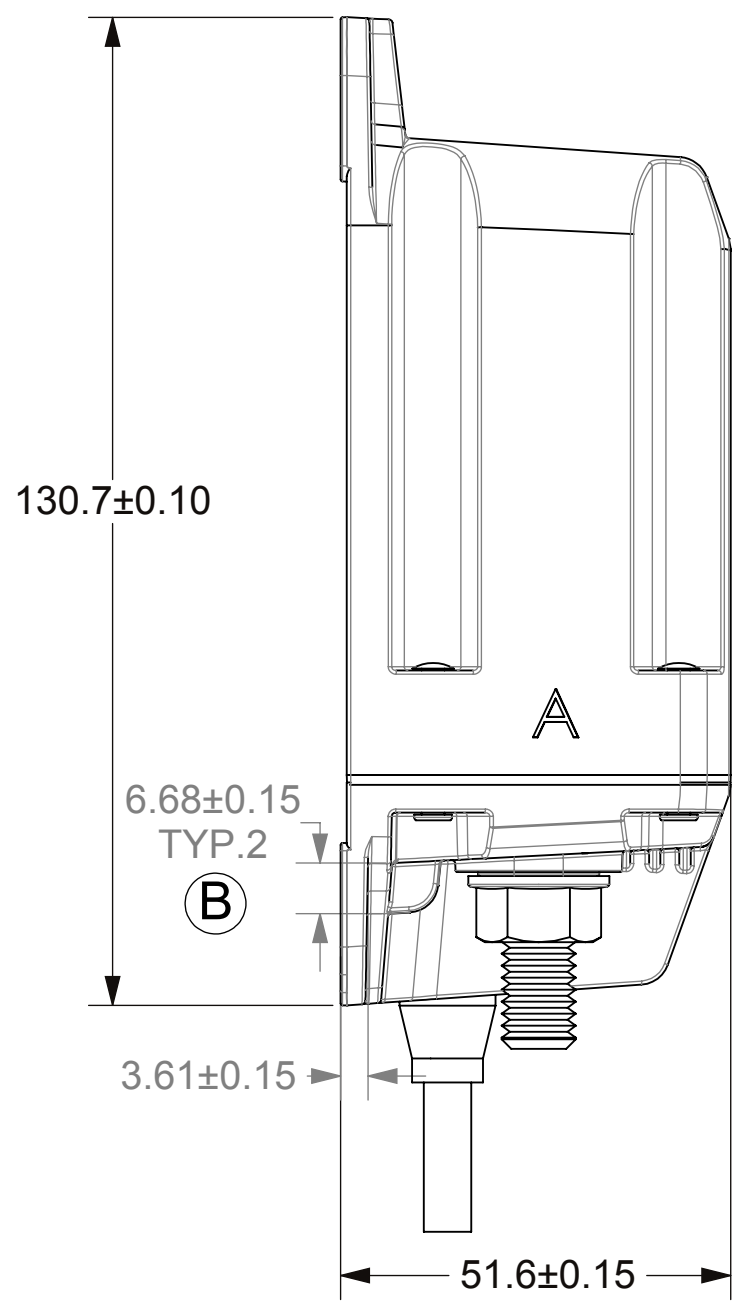
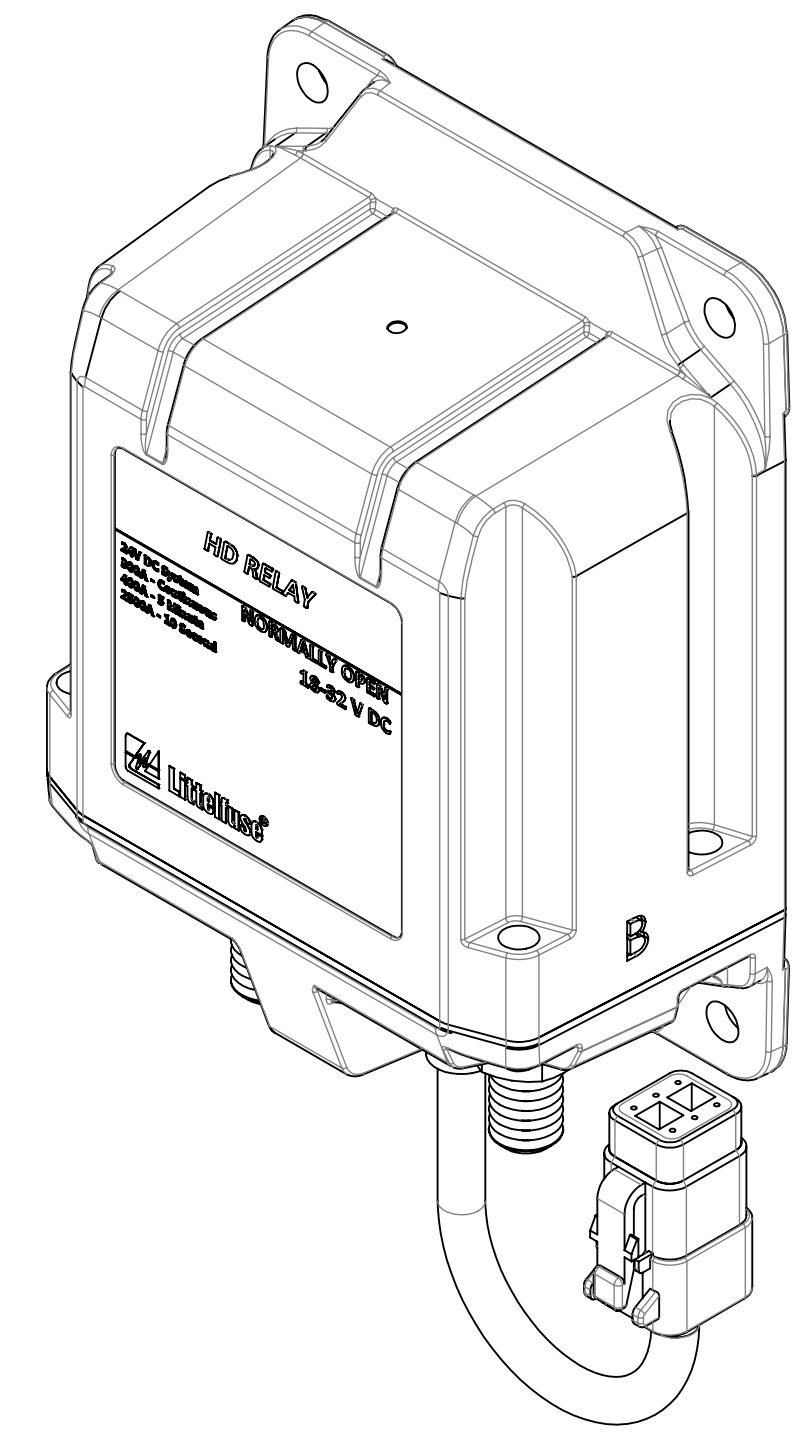
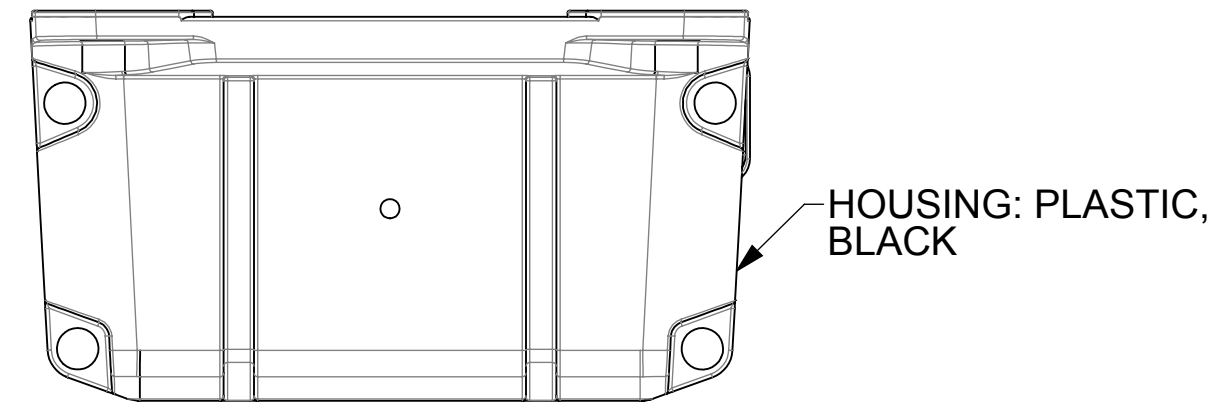


THIS DRAWING AND THE INFORMATION CONTAINED WITHIN IT ARE CONFIDENTIAL AND MAY NOT BE COPIED OR DISCLOSED WITHOUT THE WRITTEN PERMISSION OF LITTELFUSE.

| REVISIONS | | | | |
|-----------|------|--|-----------|----------|
| ZONE | REV. | DESCRIPTION | DATE | APPROVED |
| | B | ECA 515922 RELEASE HD RELAY REDESIGN DRAWING | 5/24/2016 | D.CHENG |
| | C | PER ECO #520075 UPDATE MOUNTING HOLE DIMENSION | 11/1/2018 | C.MILLER |

| Specifications | |
|---|----------------------------|
| Maximum Continuous Current (4/0 Input/Output Cable) | 300A |
| Inrush Rating (10 seconds) (4/0 Input/Output Cable) | 1500A |
| Control Circuit Current | 7A |
| Contact Rivet | 99.9%Ag |
| Voltage | 18-32V |
| Mounting Hardware | M5 or #10 |
| Terminal Hardware | 3/8"-16 |
| Temperature Range | -50°C to 85°C |
| Humidity | 0-95% RH |
| Shock | 10 G's |
| Vibration | 8 G's |
| Ingress Rating | IP67/IP69K |
| Ignition Protection | Meets ISO 8846 & SAE J1171 |



| | |
|---|--|
| DIMENSIONS ARE SHOWN IN MILLIMETERS. DIMENSIONS AND TOLERANCES ARE DEFINED ACCORDING TO ANSI/ASME Y14.5-1994. | |
| ● | FIT FUNCTION CRITICAL CHARACTERISTICS SYMBOL |
| <S> | SAFETY/ COMPLIANCE CRITICAL CHARACTERISTICS SYMBOL |
| CPK | DENOTES CPK DIMENSIONS MINIMUM CPK VALUE |
| (ST) | DENOTES A CHARACTERISTIC THAT PROVIDES AN INDICATION OF PROCESS PERFORMANCE PROCEDURE FOR MEASUREMENT AND TRACKING TO BE DEFINED IN LITTELFUSE INSPECTION INSTRUCTIONS |
| CP | DENOTES CP DIMENSIONS - MINIMUM CP VALUE MUST BE WITHIN THE DIMENSIONAL LIMITATIONS SHOWN ON DRAWING AND INITIALLY LOCATED TO ALLOW FOR MAXIMUM TOOL LIFE |
| DIMENSION: MM TOLERANCES UNLESS OTHERWISE SPECIFIED ONE PLACE DECIMAL ± 0.5 THREE PLACES DECIMAL ± 0.100 TWO PLACES DECIMAL ± 0.20 ANGULAR ± 2° | |
| DRAWN | D.CHENG 5/24/2016 |
| CHECKED | - |
| FORM NO: | CVP-PE40-0006 REV A |
| THIRD ANGLE PROJECTION | |
| DO NOT SCALE DRAWING | SCALE 1:1 |
| <p>Littelfuse Expertise Applied Answers Delivered</p> | |
| <p>TITLE HD NORMALL OPEN RELAY Part Number: 8800160,8800160S</p> | |
| SIZE | C |
| DWG. NO. | OL-880160 |
| REV. | C |
| SHEET 1 OF 1 | |