

8

7

6

5

4

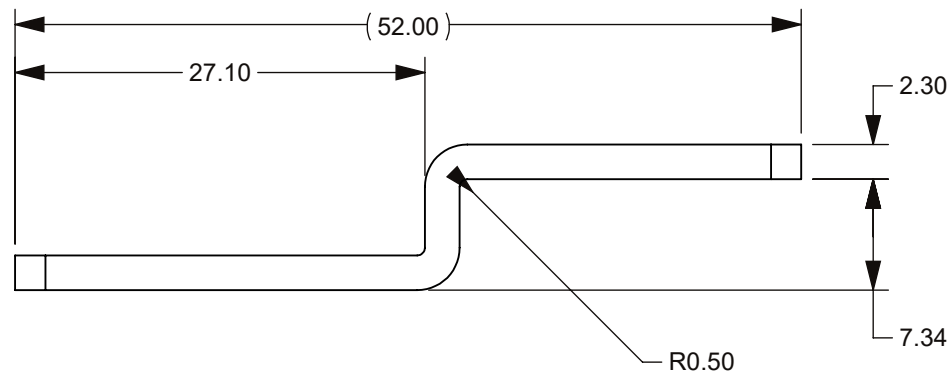
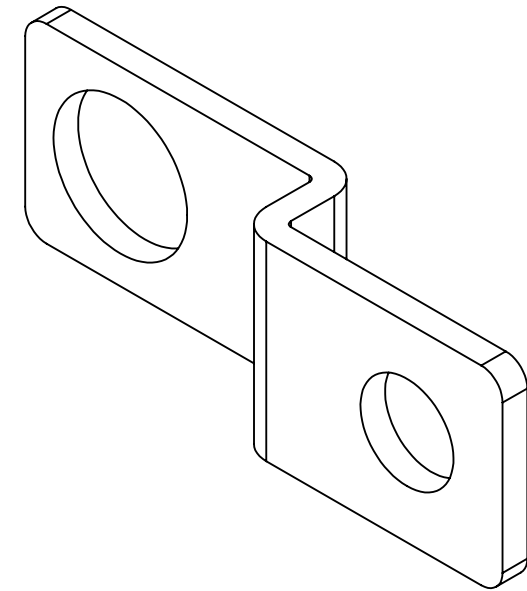
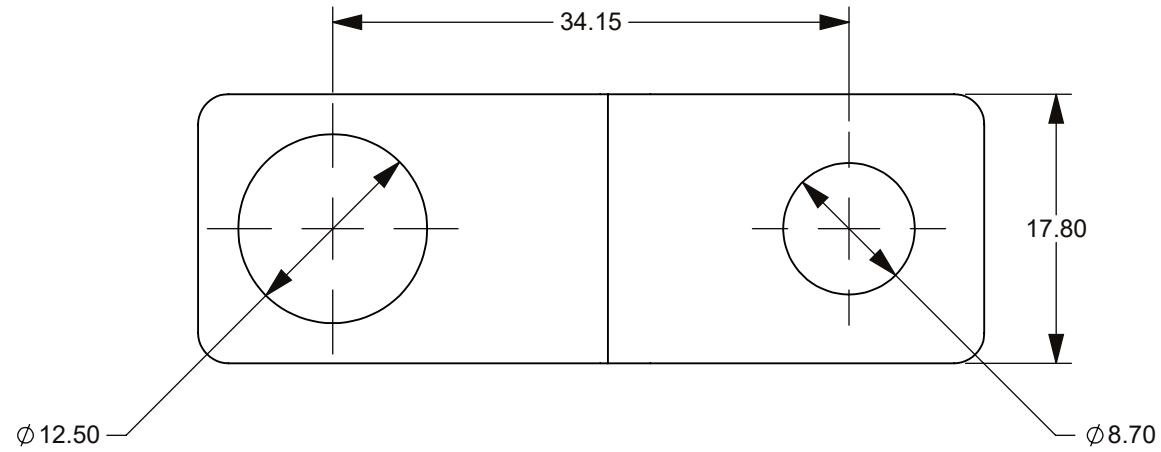
3

2

1

THIS DRAWING AND THE INFORMATION CONTAINED WITHIN IT ARE CONFIDENTIAL AND MAY NOT BE COPIED OR DISCLOSED WITHOUT THE WRITTEN PERMISSION OF LITTELFUSE.

REVISIONS				
ZONE	REV.	DESCRIPTION	DATE	APPROVED
	A	PCO #5300103. INITIAL RELEASE. DSILVA	10/4/2022	L.ARGIL



NO.	COMPONENT NO.	COMPONENT NAME	QTY	U	
TOLERANCES UNLESS OTHERWISE SPECIFIED (REF. ISO 2768-FH)					
.5 to 3	>3 to 6	>6 to 30	>30 to 120	>120 to 400	ANGLE
±0.05	±0.05	±0.10	±0.15	±0.20	NONE

DIMENSIONS ARE SHOWN IN MILLIMETERS. DIMENSIONS AND TOLERANCES ARE DEFINED ACCORDING TO ANSI/ASME Y14.5-1994.

PER CHI-NPD20-0008 PROCEDURE	●	FIT/ FUNCTION CRITICAL CHARACTERISTICS
	<S>	SAFETY/ COMPLIANCE CRITICAL CHARACTERISTICS SYMBOL
	CPK	DENOTES CPK DIMENSIONS MINIMUM CPK VALUE
	ST	DENOTES A CHARACTERISTIC THAT PROVIDES AN INDICATION OF PROCESS PERFORMANCE. PROCEDURE FOR MEASUREMENT AND TRACKING TO BE DEFINED IN LITTELFUSE INSPECTION INSTRUCTIONS
CP	DENOTES CP DIMENSIONS. -MINIMUM CP VALUE MUST BE WITHIN THE DIMENSIONAL LIMITATIONS SHOWN ON DRAWING AND INITIALLY LOCATED TO ALLOW FOR MAXIMUM TOOL LIFE	

NAME	DATE	Littelfuse Expertise Applied Answers Delivered
DRAWN DSILVA	7/27/2022	
CHECKED -	-	TITLE STEPPED BUS BAR - FLEC TO FLEXMEGA
-	-	
FORM NO: CVP-PE40-0003 REV B		SIZE B DWG. NO. OL-882-841 REV. A
THIRD ANGLE PROJECTION		
		SCALE 2:1 SHEET 1 OF 1
DO NOT SCALE DRAWING		

NOTES:
1. MATERIAL: COPPER, TIN PLATED.

8

7

6

5

4

3

2

1