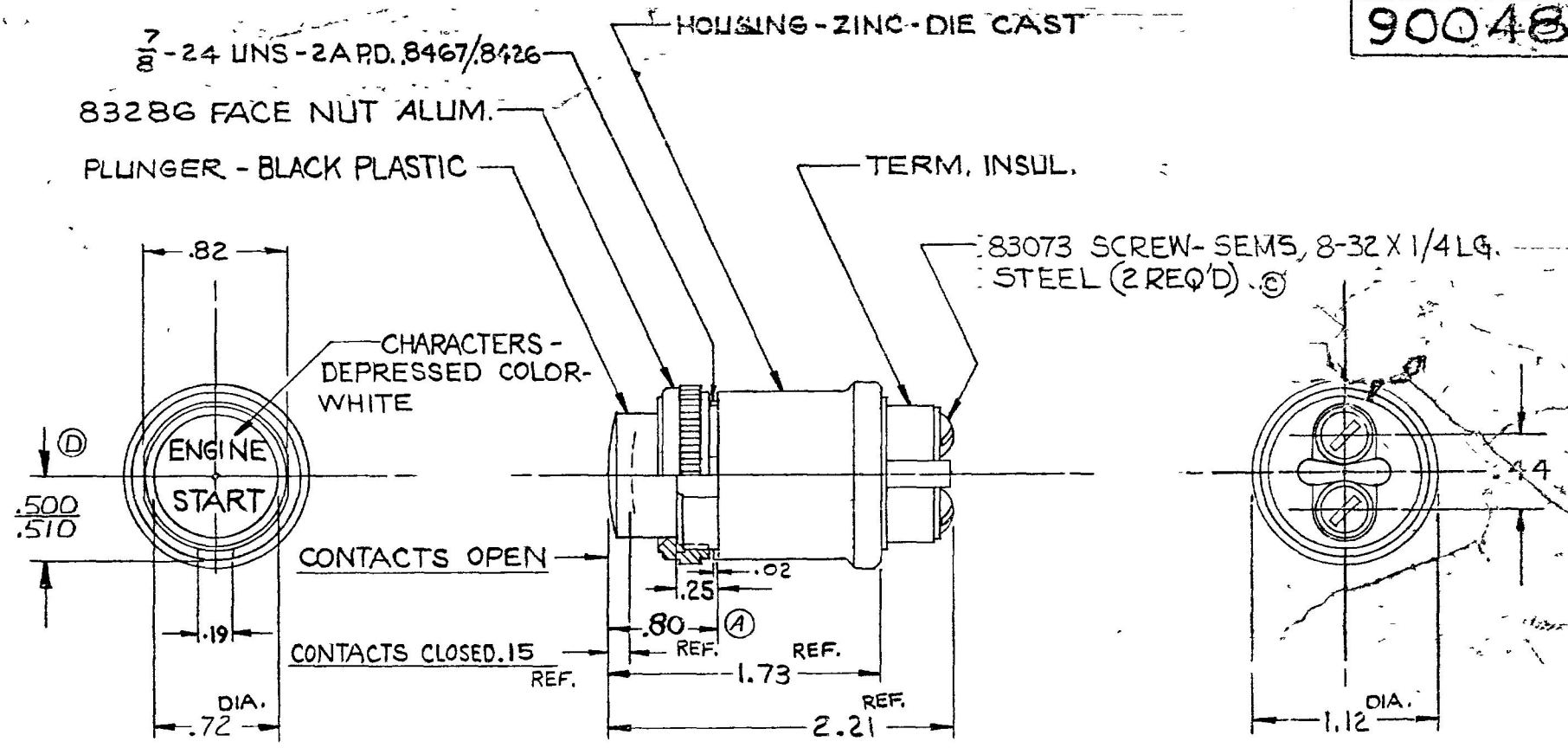


COLE-HERSEE CO.

Ex 16421 & 21A

90047
90048



FRONT VIEW OF 90047 LESS FACE NUT

90048 SAME AS 90047 EXCEPT ENGINE IMPRINTING AS SHOWN ON RED PLUNGER

STOP

20 AMPS	24 VDC
35 AMPS	12 VDC
CURRENT RATING	

- NOTES.
1. ALL STEEL PARTS EITHER ZINC PLT. WITH DICH. DIP. OR CAD. PLT.
 2. ALL CONTACT SURFACES SILVER
 3. SWITCH TO FIT PANELS .04 TO .10 THK.

DO NOT SCALE

LET	WAS	DATE	BY	LET	WAS	DATE	BY	MATERIAL	DRAWN	CHECKED	APPRV'D	SCALE	DATE DRAWN
				D	ADD 500 510	21330	3-10-81	NOTED	RW	RE		1"=1"	6-26-72
				C	REV. 19288	1-20-76	KG	FINISH NOTED	COLE-HERSEE COMPANY BOSTON, MASS 02127, U.S.A.				DATE BLUEPRINT
				B	ADD RATING	8-21-75	RF						
				A	66 REF. 117846	8-23-72	CT	TOLERANCES FRACTIONAL ± DECIMAL ± .01	MOMENTARY SWITCH				90047
					ISSUED	6-29-72	B						