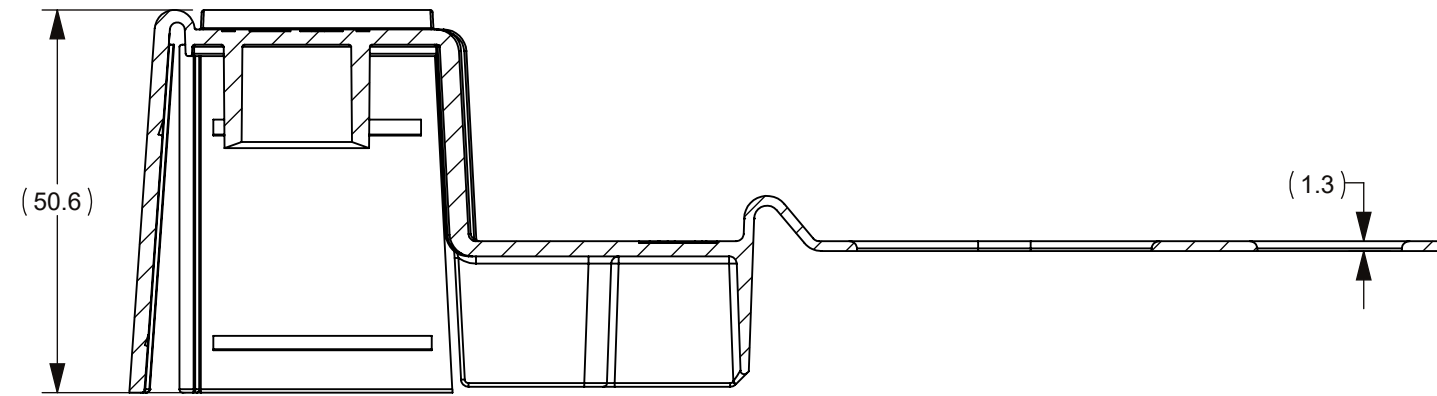
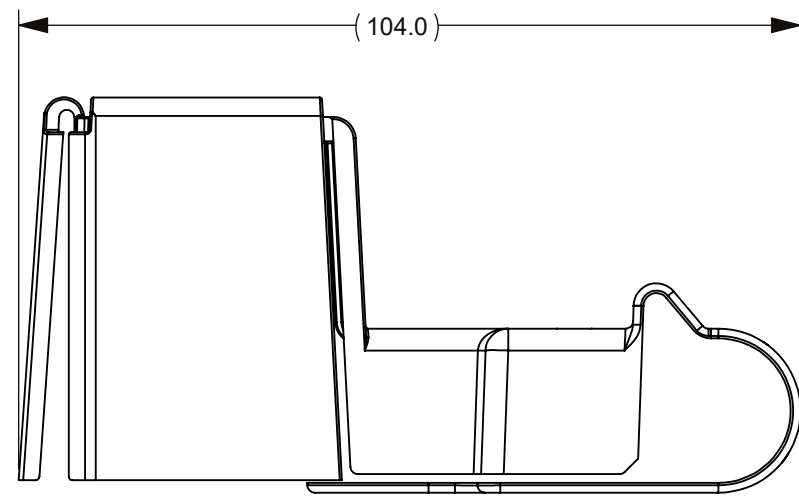
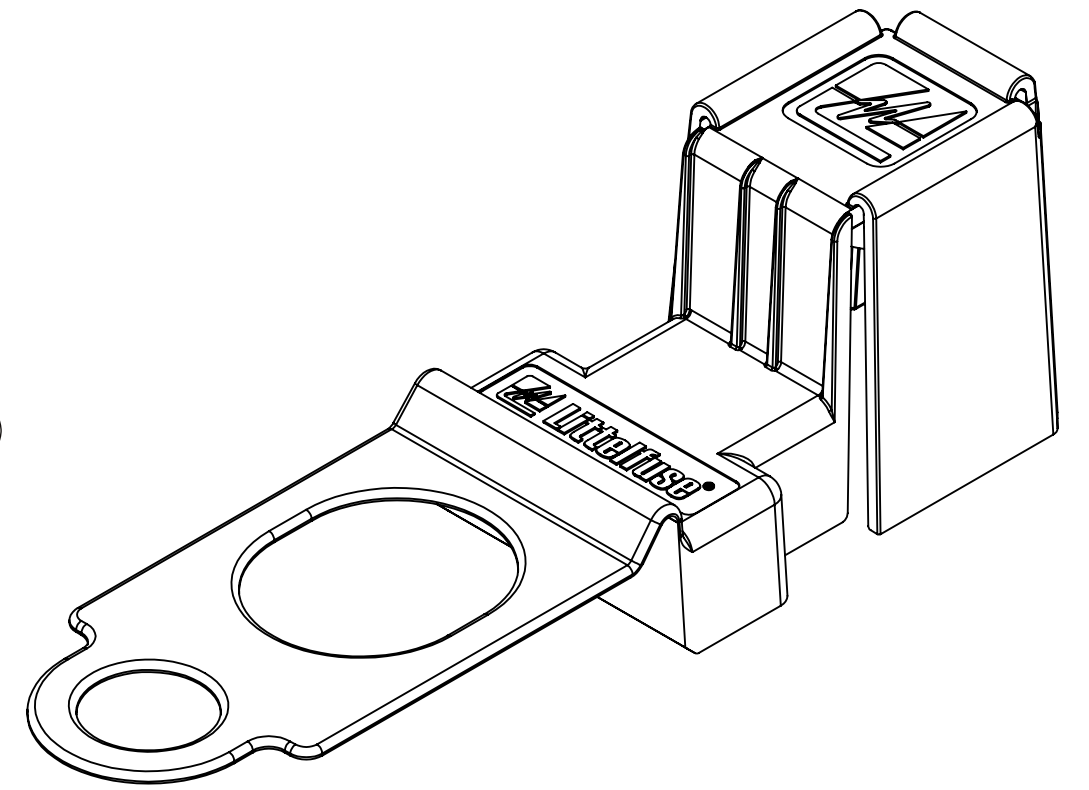
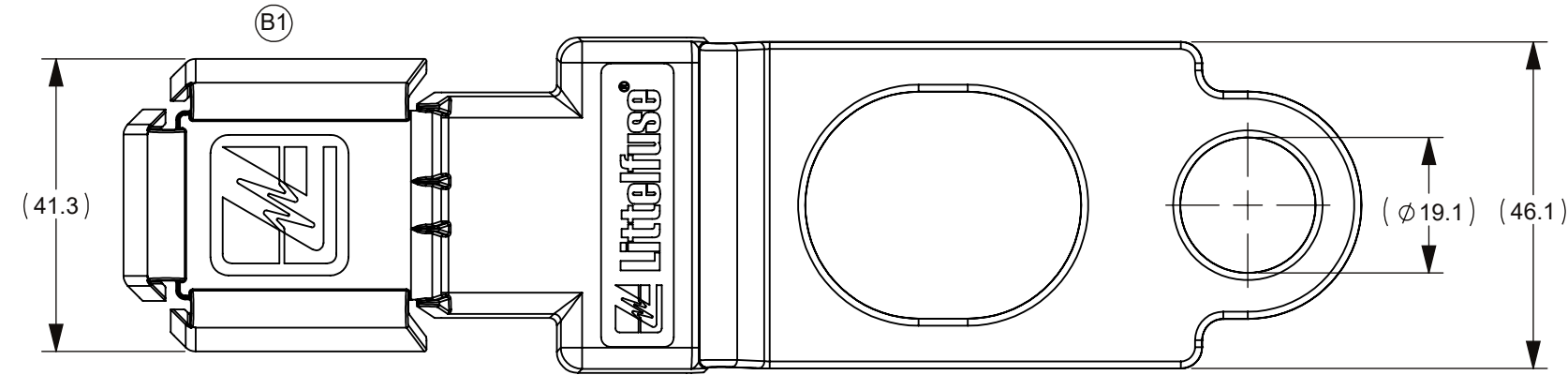


THIS DRAWING AND THE INFORMATION CONTAINED WITHIN IT ARE CONFIDENTIAL AND MAY NOT BE COPIED OR DISCLOSED WITHOUT THE WRITTEN PERMISSION OF LITTELFUSE.

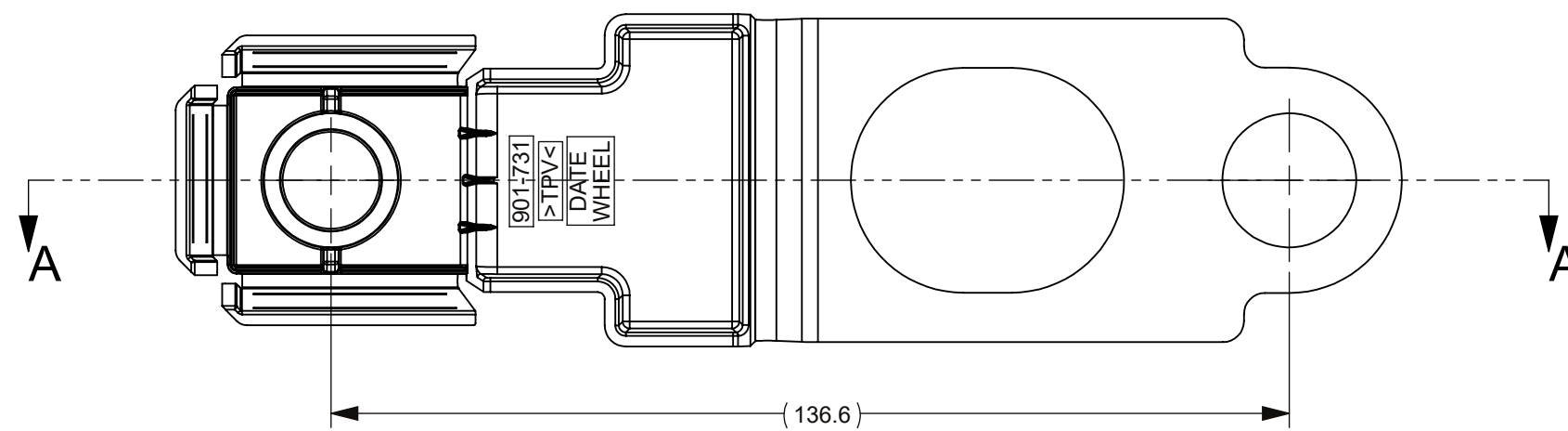
NOTES: (UNLESS OTHERWISE SPECIFIED)

1. MATERIAL: TPV
2. COLOR: RED

REVISIONS				
ZONE	REV.	DESCRIPTION	DATE	APPROVED
	A	INITIAL RELEASE PER GCF #524316	10/26/2021	R. OLSZEWSKI
	B	ECO-100085 1. NEW LOGO; 2. CHANGED NAME FROM BMZF TO BMZS	2/23/2022 B.CARR	R. OLSZEWSKI



SECTION A-A



DIMENSIONS ARE SHOWN IN MILLIMETERS. DIMENSIONS AND TOLERANCES ARE DEFINED ACCORDING TO ANSIS/ASME Y14.5-1994.		
●	FIT/ FUNCTION CRITICAL CHARACTERISTICS	
<S>	SAFETY/ COMPLIANCE CRITICAL CHARACTERISTICS SYMBOL	
CPK	DENOTES CPK DIMENSIONS MINIMUM CPK VALUE	
(ST)	DENOTES A CHARACTERISTIC THAT PROVIDES AN INDICATION OF PROCESS PERFORMANCE. PROCEDURE FOR MEASUREMENT AND TRACKING TO BE DEFINED IN LITTELFUSE INSPECTION INSTRUCTIONS	
CP	DENOTES CP DIMENSIONS. -MINIMUM CP VALUE MUST BE WITHIN THE DIMENSIONAL LIMITATIONS SHOWN ON DRAWING AND INITIALLY LOCATED TO ALLOW FOR MAXIMUM TOOL LIFE	
PER CH-HPD20-008 PROCEDURE		
DRAWN	NAME	DATE
CHECKED	L.ARGIL	10/26/21
FORM NO. CVP-PE40-0005 REV B		
THIRD ANGLE PROJECTION		
DO NOT SCALE DRAWING		
<b>Expertise Applied   Answers Delivered</b>		
TITLE		
Cover, 1 Position BMZS		
SIZE	DWG. NO.	REV.
C	OL-901-731	B
SCALE 1:1		
SHEET 1 OF 1		