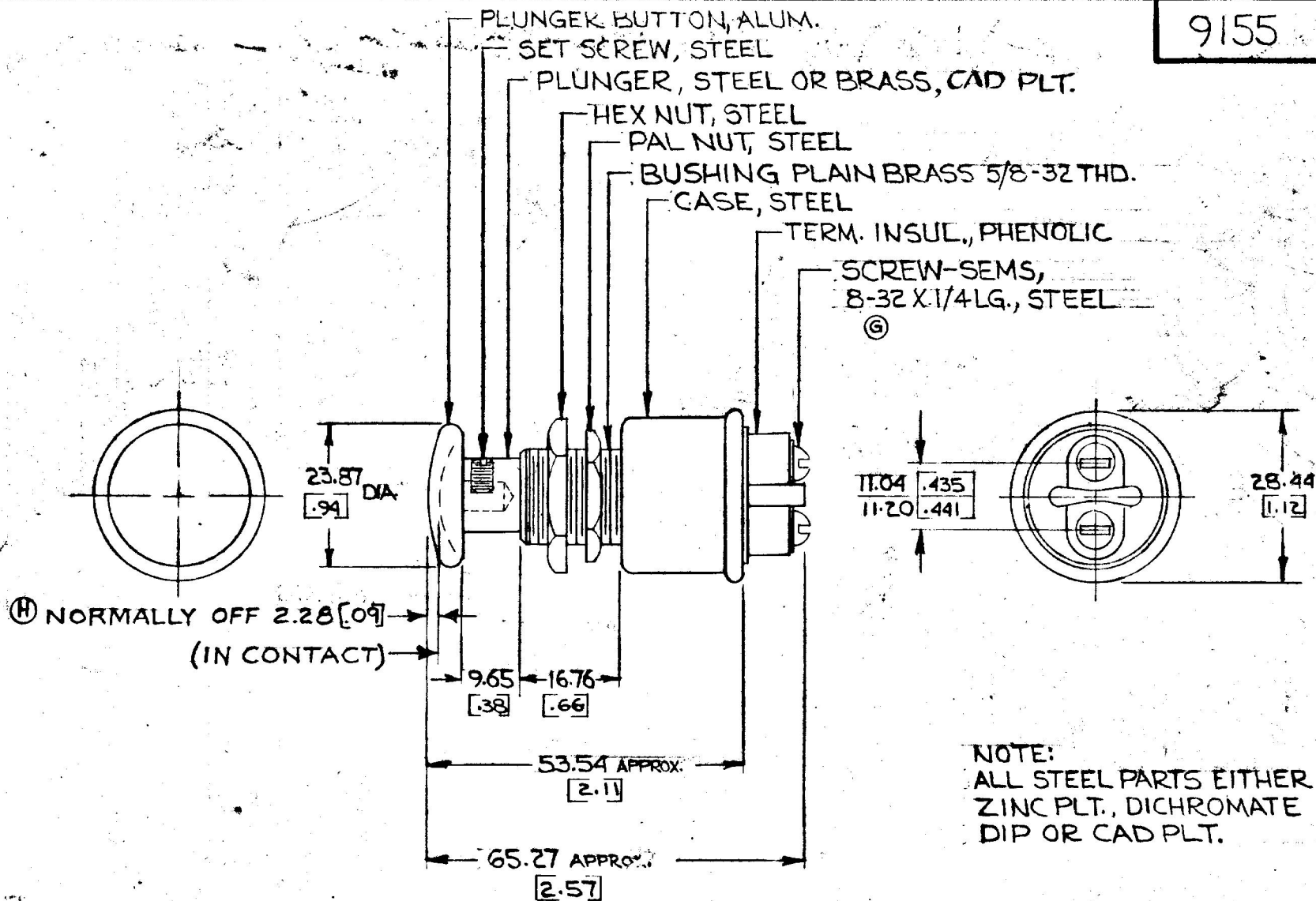


COLE-HERSEE CO.

9155



DIMENSIONS: MILLIMETERS [INCHES]

DO NOT SCALE

LET	WAS	DATE	BY	LET	WAS	DATE	BY	MATERIAL	DRAWN	CHECKED	APPR'D.	SCALE	DATE DRAWN
								—H—	VP	RS		FULL	12-21-53
								FINISH	<b>COLE-HERSEE COMPANY</b> BOSTON, MASS. 02127, U.S.A.				DATE BLUEPRINT
				H	ADD/23156	6/24/53	AK	—H—					9155
				G	REV. 19288	1-14-76	KG	TOLERANCES	<b>STARTER SWITCH</b>				9155
				F	REDRAWN	10-29-75	KG	FRACTIONAL ± DECIMAL ±.01					

SPAULDING CO., INC. 21-56481