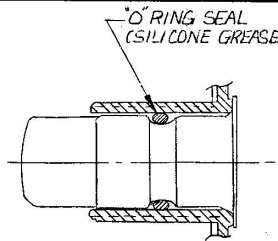


MMS	IN
0.25	.010
1.25	.050
3.17	.125
4.57	.180
6.35	.250
9.65	.380
11.04	.425
11.20	.447
16.00	.630
50.29	1.980

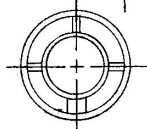
9216



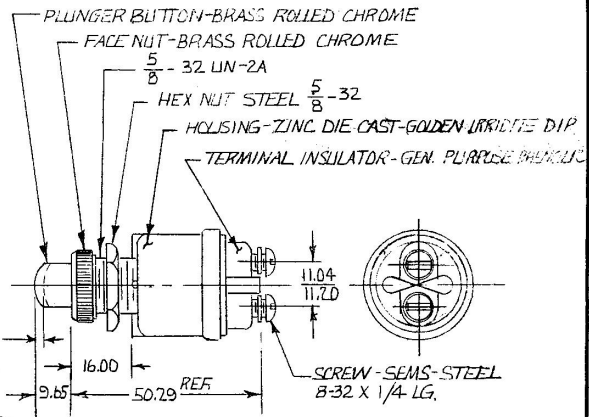
SCALE 2X

NORMALLY OPEN, CONTACTS CLOSED WHEN PLINGER DEPRESSED 1.39/3.17 THRU REMAINDER OF 4.57/6.35 FULL TRAVEL.

SWITCH SHOWN IN "OFF" POSITION



METRIC $\text{\textcircled{P}}$ FRONT VIEW OF CASE



- NOTE:
1. O RING SEALED AT MOUNTING BUSHING ONLY.
 2. SILVER CONTACT SURFACES.
 3. ALL EXTERIOR METAL PARTS MAY BE CAD. OR ZINC PLT. (CLEAR DICHROMATE DIP) UNLESS NOTED.

Confidential Property of Cole Hersee								DO NOT SCALE					
LET	WAS	DATE	BY	LET	WAS	DATE	BY	MATERIAL	DRAWN	CHECKED	APPR'VD.	SCALE	DATE DRAWN
								\checkmark	JP	\checkmark		1-1	5-29-58
								FINISH	COLE-HERSEE COMPANY				DATE BLUEPRINT
									BOSTON, MASS. 02127, U.S.A.				
								TOLERANCES	INDUSTRIAL START SWITCH				9216
								FRACTIONAL \pm					
								DECIMAL ± 0.25					

COLE-HERSEE CO.

PA ADDED/2357/8-17-87 L-2
 REDRAWN & ADD METRIC 9/6/77 DK