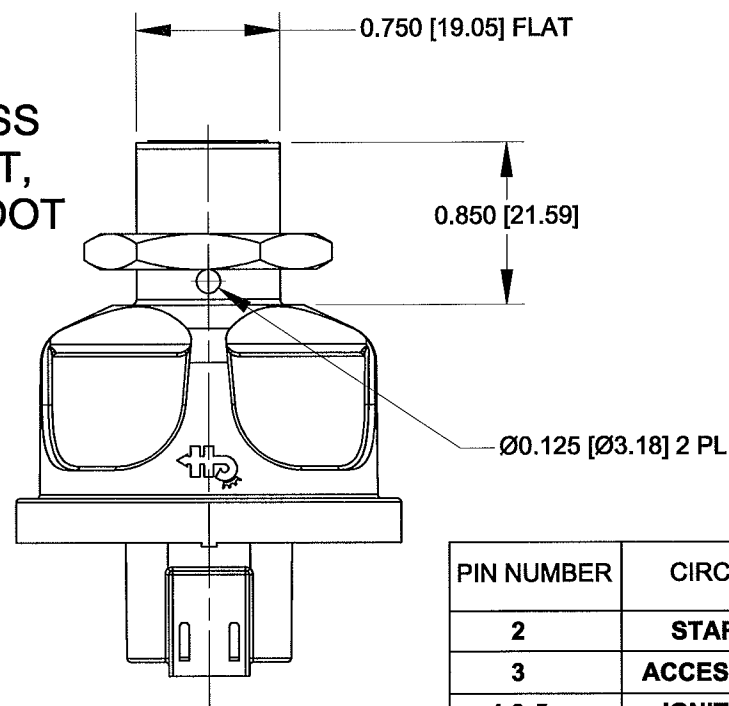


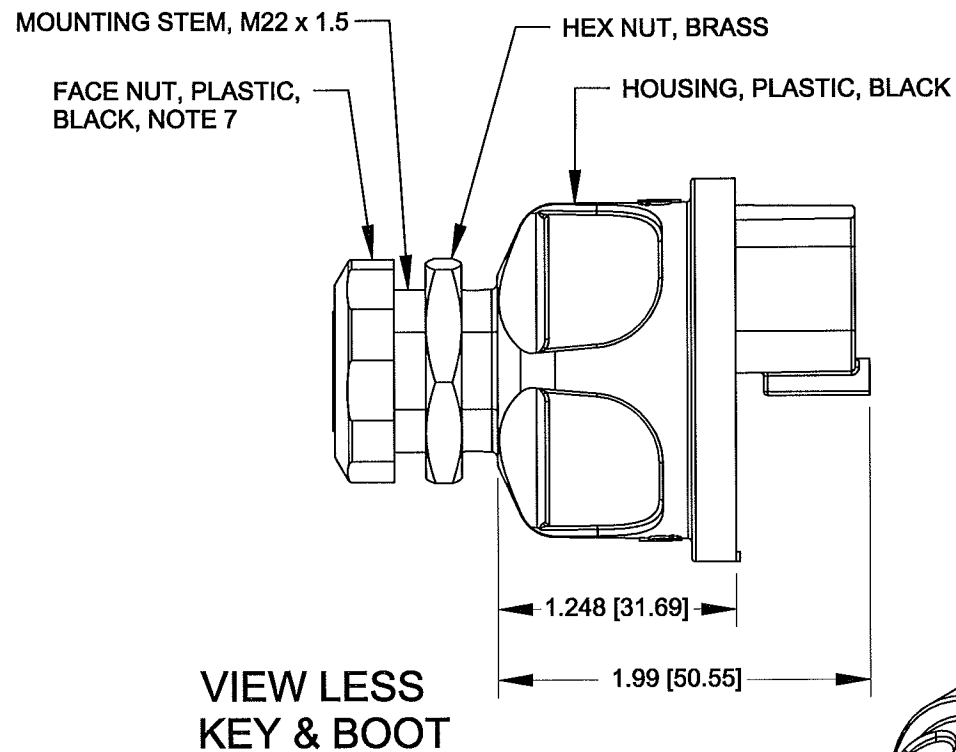
VIEW LESS KEY & BOOT

VIEW LESS FACE NUT, KEY & BOOT



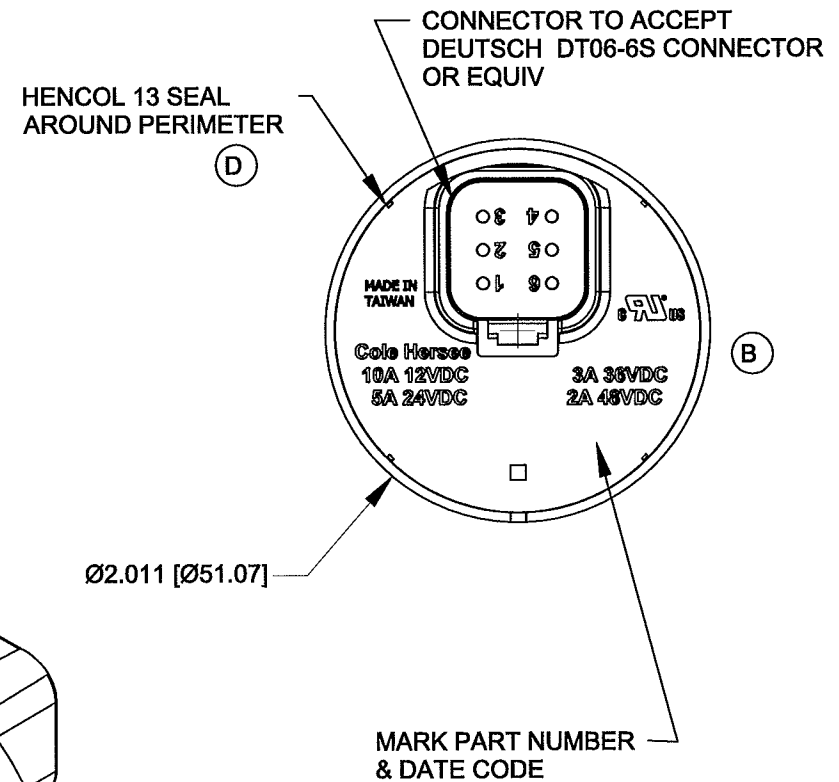
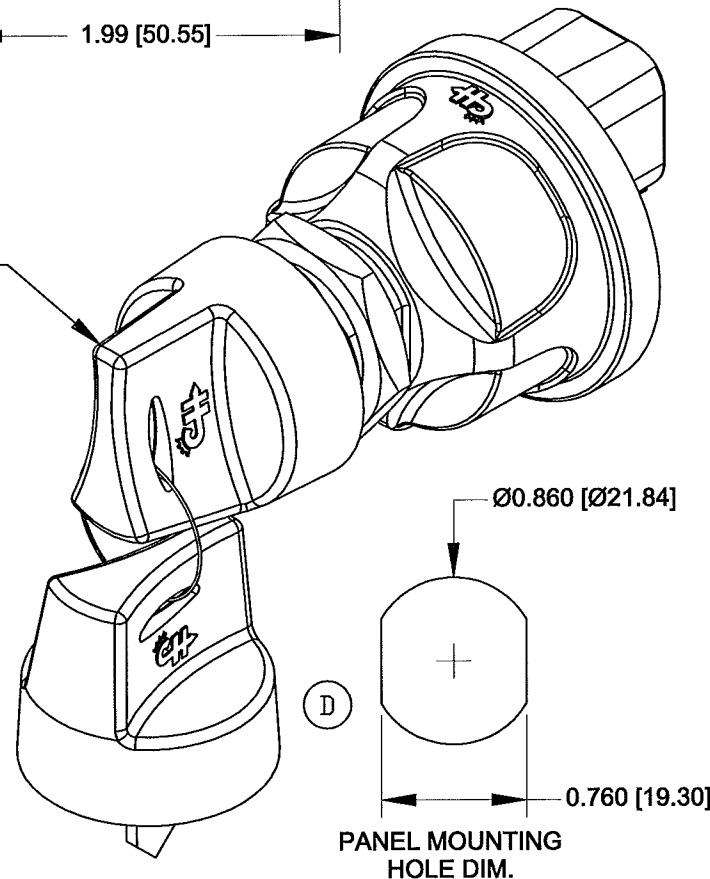
PIN NUMBER	CIRCUIT	12VDC RESISTIVE LOAD
2	START	5 AMPS
3	ACCESSORY	10 AMPS
4 & 5	IGNITION	10 AMPS
1 & 6	BATTERY	

PINS 1 & 6 CONNECTED TOGETHER INTERNALLY  
PINS 4 & 5 CONNECTED TOGETHER INTERNALLY



VIEW LESS KEY & BOOT

2 DOUBLE BITTED BOOTED KEYS RINGED, BLACK, SINGLE KEY CODE 601, NOTE 7, NOTE 9



- NOTES:
- TOLERANCES PLUS OR MINUS 0.015 [0.38]
  - CONTACT AREA SEALED TO IP67
  - BACK OF SWITCH SEALED WHEN MATING CONNECTOR IS INSTALLED
  - FOR RESISTIVE LOAD RATING SEE CHART OR BACK OF SWITCH
  - KEY REMOVEABLE IN OFF POSITION ONLY
  - MATERIALS: HOUSING BLACK THERMOPLASTIC  
INTERNAL STATIONARY CONTACTS COPPER
  - KEY BOOT FITS OVER FACE NUT
  - SWITCH TESTED TO SAE J259, UL RECOGNIZED TO UL 1054
  - SWITCH SUPPLIED WITH SINGLE KEY CODE 601
  - SWITCH SAME AS 95060-05 EXCEPT SINGLE KEY CODE
  - IF THE APPLICATION MOUNTS THE SWITCH WITH THE LOCK CYLINDER OR LEVER APPROACHING VERTICAL, CONTACT THE FACTORY FOR AN APPLICATION REVIEW AND POTENTIAL ALTERNATE PRODUCTS BEFORE DESIGN IS SET.
  - SW. MUST NOT BREAK CIRCUIT OR BE DAMAGED IF TORQUED TO 15 IN-LBS [ 1.69Nm]

**Revision Control Record**

Rev.	Description of Change	ECN No.	Date
D	ADDED HENCOL 13	13168	6/17/13
C	ADDED MADE IN TAIWAN	11215	7/15/11
B	ADDED CHART & UL	10254	6/24/10
A	RELEASED DRAWING	07400	9/19/07

**Tolerances** Unless otherwise specifically noted, the following are default tolerances:  
 \* 2-place Decimal Dimensions +/- .02"  
 \* 3-place Decimal Dimensions +/- .005"  
 \* Angular Dimensions +/- 1.0 Deg.  
 \* Metric: Refer to equivalent English Dimension Tolerance  
 >>> NOTE: All tolerances are Non-Cumulative. <<<

**Dimensional Units** All dimensions are expressed in inches except those shown in brackets (xxx) are expressed in millimeters

\*REF. or an Asterisk (\*) = Non-Toleranced Reference Dimension, shown for clarification purposes only.

Used On **95060-05** or Ref.:

Scale: **1:1**

**PROPRIETARY INFORMATION** This Engineering Drawing, and the information contained herein, is proprietary to Cole Hersee Company and may not be disclosed, re-produced, or in any other way transferred or communicated to any other party without the express written consent of an authorized representative of Cole Hersee Company.

**DESIGN CONTROL** It is the responsibility of the individual using / referencing this drawing to assure that the noted design revision level agrees with the revision level of the Controlled Document (Master Drawing). This is a NON-CONTROLLED DOCUMENT unless otherwise specifically noted.

**DO NOT SCALE** - Dimensional variation may occur during printing / reproduction.

Drawn By: **DPS**

Date Drawn: **9/19/07**

Responsible Engineer: **JT**

**Special Characteristics:**

Critical Characteristic, relating to Safety and/or Regulatory Compliance

Significant Characteristic relating to Process Control (SPC)

Control Dimension relating to Form - Fit - Function as defined by Cole Hersee Company and/or the Customer

(Note that the identification of any Characteristics as being "Special" does not alter the requirement that ALL specified dimensions & tolerances must be met.)

**Cole Hersee Co.**  
 20 Old Colony Ave., South Boston, MA, 02127  
 Phm: 617-288-2100 Web: www.colehersee.com

Description:  
**SW, ROT, 3POS, PLSTC**

Drawing / Part No.: **95060-27** Current Rev. **D**

PAGE 1  
Created using Autocad Inventor