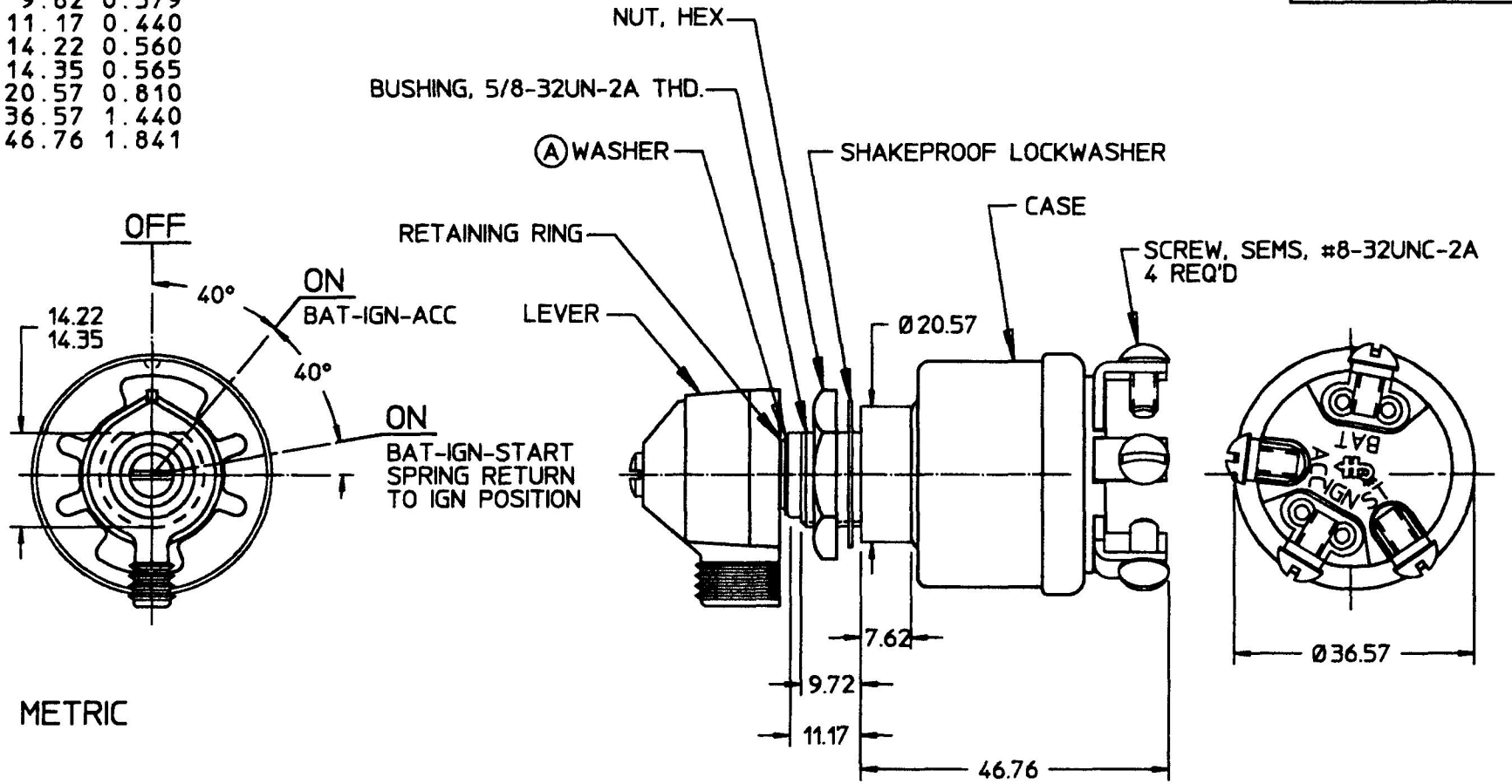


95591-01

MM	IN
7.62	0.300
9.62	0.379
11.17	0.440
14.22	0.560
14.35	0.565
20.57	0.810
36.57	1.440
46.76	1.841



LEGEND	
BAT	BATTERY
IGN	IGNITION
ST	START
ACC	ACCESSORY

- NOTES:
1. ALL STEEL PARTS PLATED
  2. ALL DIMENSIONS REFERENCE
  3. SILVERED CONTACTS
  4. O-RING SEAL IN BUSHING
  5. APPLICABLE SAE STANDARD J259

DO NOT SCALE

LET.	WAS	DATE	BY	LET.	WAS	DATE	BY	MATERIAL	DRAWN	CHK	APVD	SCALE	EX	DATE DRAWN
									MB	Des		1:1	EX26059	8/5/95
								FINISH	<b>Cole Hersee Co.</b> 20 OLD COLONY AVENUE, BOSTON, MA, U.S.A. 02127					DATE BLUEPRINTED
				A	ECN # 98708	10/08/98	MF	TOLERANCES	SW, IGN, START					95591-01
				--	ISSUED	8/16/95	AF	DECIMAL ± ANGLE ±						