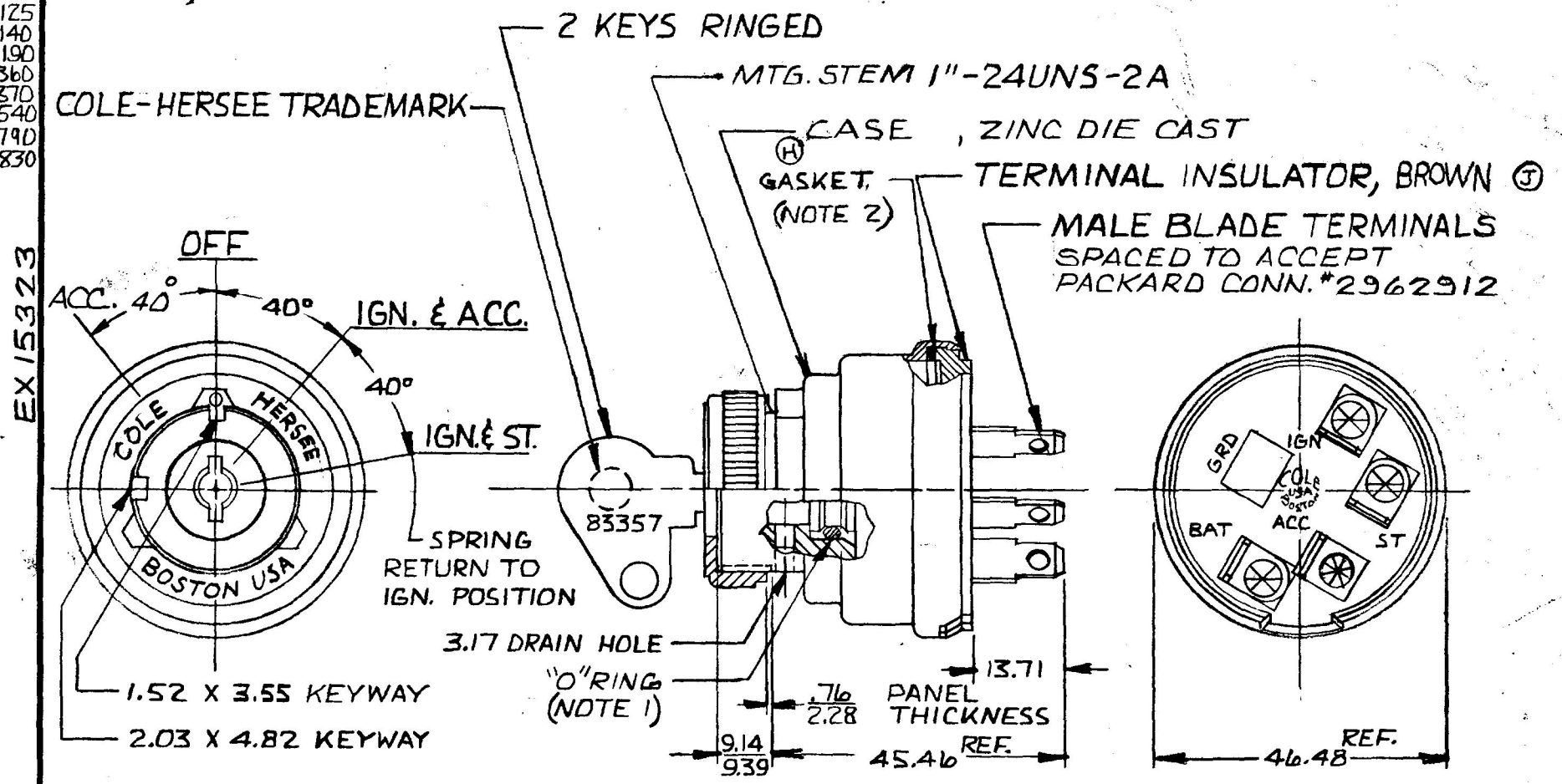


MM.	IN.
.25	.010
.76	.030
1.52	.060
2.03	.080
2.28	.090
3.17	.125
3.55	.140
4.82	.190
9.14	.360
9.39	.370
13.71	.540
45.46	1.790
46.48	1.830

956-4113

APPLICABLE SAE STANDARD OR  
RECOMMENDED PRACTICE SAE J 259



RATING AT 12 VDC	
IGN	10 AMPS
START	5 AMPS
ACC	30 AMPS

METRIC

- NOTE:
1. SHAFT "O" RING SEALED TO HOUSING
  2. TERMINAL INSULATOR GASKET SEALED

DO NOT SCALE

LET.	WAS	DATE	BY	LET.	WAS	DATE	BY	MATERIAL	DRAWN	CHECKED	APPR'VD.	SCALE	DATE DRAWN
								H	CF	LP6		1:1	3-6-69
								FINISH					DATE BLUEPRINT
				J	ECN 25189	8-13-92	JH						
				H	HOLISING	8-13-88	PS	TOLERANCES					
				G	REDRAWN NO CHANGE	2-26-81	EA	DECIMAL ±					
								METRIC ±.25					
<p><b>Cole Hersee Co.</b> 20 OLD COLONY AVENUE, SOUTH BOSTON, MA. U.S.A. 02117</p>													
<p><b>4 POSITION IGN. &amp; START SWITCH</b></p>												956-4113	

CH-188(4-78)