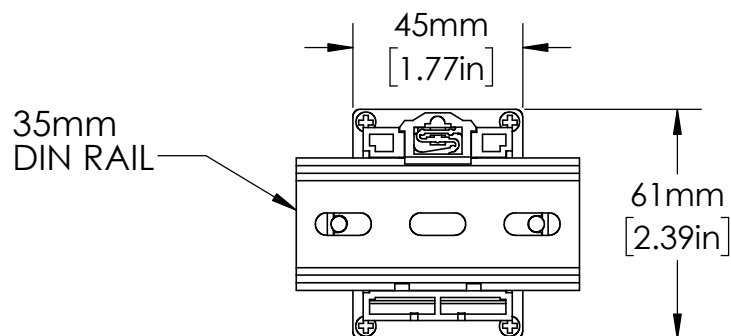


OT11PC
RELAY SOCKET



UNLESS NOTED OTHERWISE
DIMENSIONS ARE IN INCHES
TOLERANCES:
TWO PLACE DECIMAL ±0.05
NOT DRAWN TO SCALE

MATERIAL	
NAME	DATE
DRAWN BY J.MOLER	01/03/23



DESCRIPTION:
VOLTAGE MONITORING,
PUMP & LIQUID LEVEL CONTROL

PART NUMBER:
ALT-XXX-1 SW SERIES

REV
A

WEIGHT:

SHEET 1 OF 1