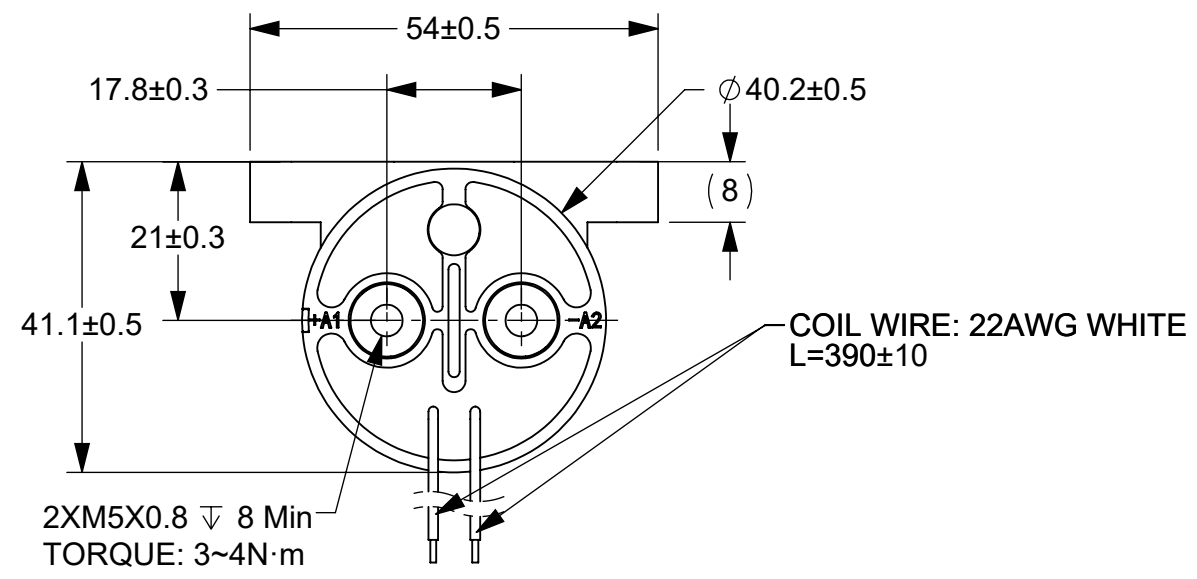


THIS DRAWING AND THE INFORMATION CONTAINED WITHIN IT ARE CONFIDENTIAL AND MAY NOT BE COPIED OR DISCLOSED WITHOUT THE WRITTEN PERMISSION OF LITTELFUSE.

REVISIONS				
ZONE	REV.	DESCRIPTION	DATE	APPROVED
	A	PCO: 5301395, INITIAL RELEASE	08/15/2025	D. ZHANG



ELECTRICAL DIAGRAM

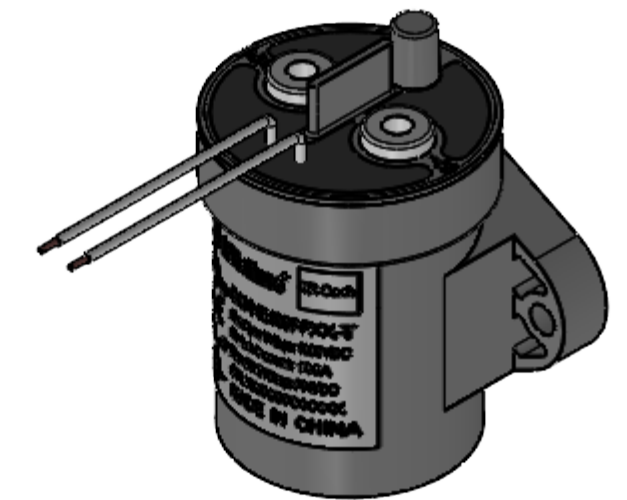
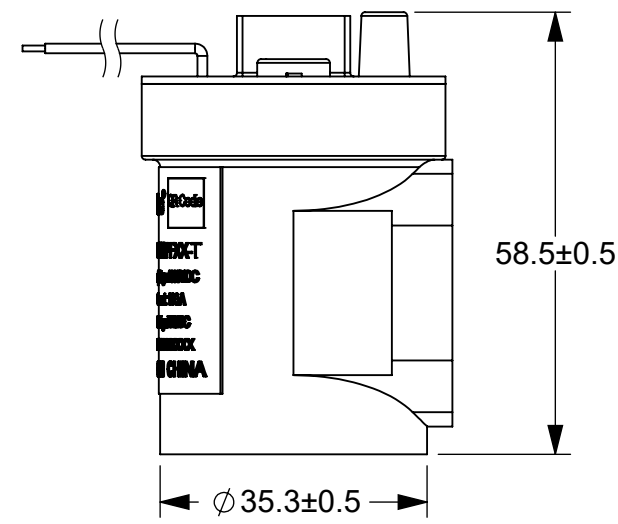
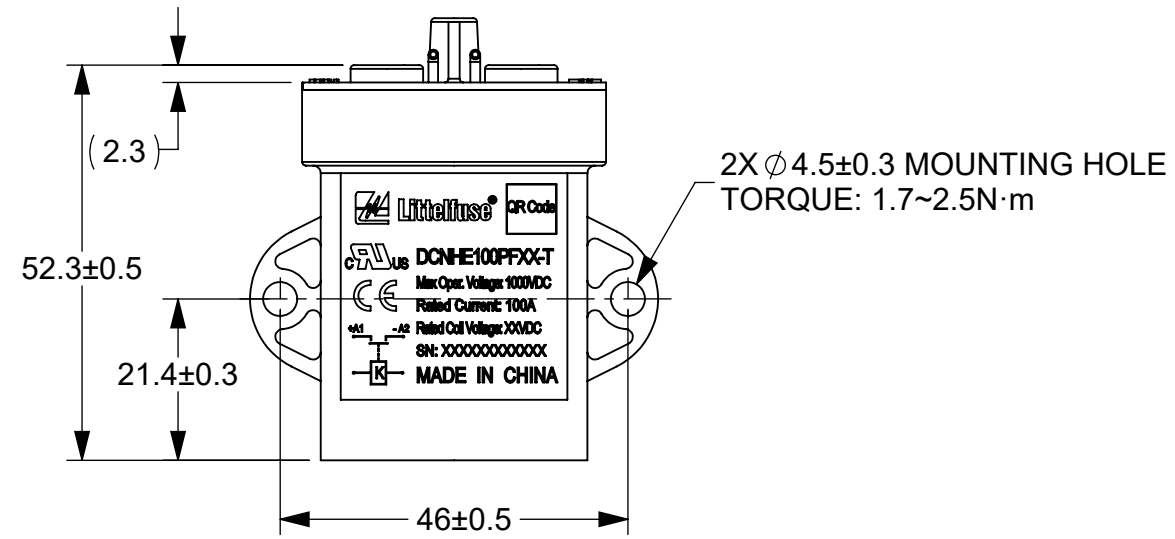
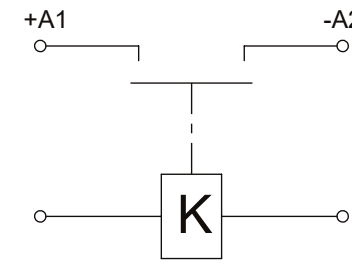


TABLE 1: ENGINEERING DESIGN DATA

ITEM	DATA		
	DCNHE100PF12-T	DCNHE100PF24-T	DCNHE100PF48-T
RATED COIL VOLTAGE	12 VDC	24 VDC	48 VDC
HOLDING CURRENT(25°C)	MAX 0.6A	MAX 0.3A	MAX 0.16A
HOLDING POWER(25°C)	5W ~ 7W	5W ~ 7W	5W ~ 7W
OPERATING VOLTAGE IN COLD STATE AT 25°C	OPERATE	MAX 9 VDC	MAX 18 VDC
	RELEASE	MIN 1 VDC	MIN 2 VDC
OPERATE TIME	MAX 30ms		
RELEASE TIME	MAX 10ms		
MAIN CONTACT VOLTAGE DROP	80mV@100A		
DIELECTRIC STRENGTH (LEAKAGE CURRENT ≤1 mA)	BETWEEN THE CONTACT AND CONTACT: 4000V AC, 50Hz/60Hz,1min. BETWEEN THE CONTACT AND COIL: 2200V AC, 50Hz/60Hz,1min.		
INSULATION RESISTANCE	100MΩ@1000 VDC		
CONTACT VOLTAGE RANGE	12 VDC~1000 VDC		
RATED CONTACT CURRENT	100A		
OPERATING TEMP	-40°C ~ +85°C		
MAX. BREAKING CURRENT	1000A@320VDC, 1CYCLE		
ELECTRICAL LIFE (RESISTIVE LOAD)	6000 CYCLES (100A @ 450V DC); 1000 CYCLES (50A @ 750V DC); 1000 CYCLES (20A @ 1000V DC)		
MECHANICAL LIFE	300,000 CYCLES		

NOTES:

1. ALL SIZES ARE FOR REFERENCE ONLY.
2. MATERIALS AND FINISHED:
2.1 HOUSING: THERMOPLASTIC, UL94V-0.
2.2 CONTACTS: COPPER ALLOY.
3. PRODUCT TECHNICAL PARAMETERS: SEE TABLE 1.
4. MAIN CONTACT ARRANGEMENT: SPST-NO, WITH POLAR.
5. CERTIFICATIONS: UL, CE.
6. RoHS AND REACH COMPLIANT.
7. APPROX WEIGHT 200g.

DIMENSIONS ARE SHOWN IN MILLIMETERS. DIMENSIONS AND TOLERANCES ARE DEFINED ACCORDING TO ANSIS/ASME Y14.5-1994.	
●	FTI/ FUNCTION CRITICAL CHARACTERISTICS
<S>	SAFETY/ COMPLIANCE CRITICAL CHARACTERISTICS SYMBOL
CPK	DENOTES CPK DIMENSIONS MINIMUM CPK VALUE
(ST)	DENOTES A CHARACTERISTIC THAT PROVIDES AN INDICATION OF PROCESS PERFORMANCE. PROCEDURE FOR MEASUREMENT AND TRACKING TO BE DEFINED IN LITTELFUSE INSPECTION INSTRUCTIONS
CP	DENOTES CP DIMENSIONS. -MINIMUM CP VALUE MUST BE WITHIN THE DIMENSIONAL LIMITATIONS SHOWN ON DRAWING AND INITIALLY LOCATED TO ALLOW FOR MAXIMUM TOOL LIFE
PER CHNFPD20-008 PROCEDURE	
NAME	DATE
DRAWN MJ. DAI	08/16/2025
CHECKED D. ZHANG	08/16/2025
Littelfuse Expertise Applied Answers Delivered	
FORM NO. CVP-PE40-0005 REV B	
THIRD ANGLE PROJECTION	
TITLE DC CONTACTOR 100A	
SIZE C	DWG. NO. OL-DCNHE100PFXX-T, CHART
DO NOT SCALE DRAWING	SCALE 1:1
	REV. A SHEET 1 OF 1