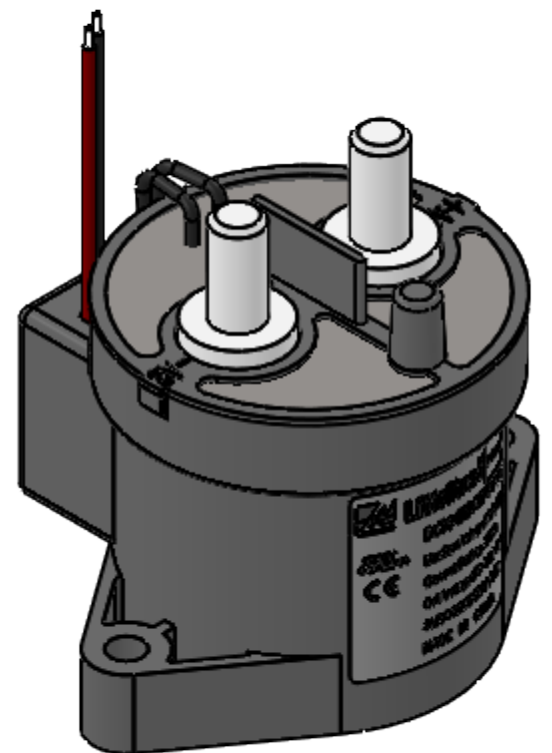
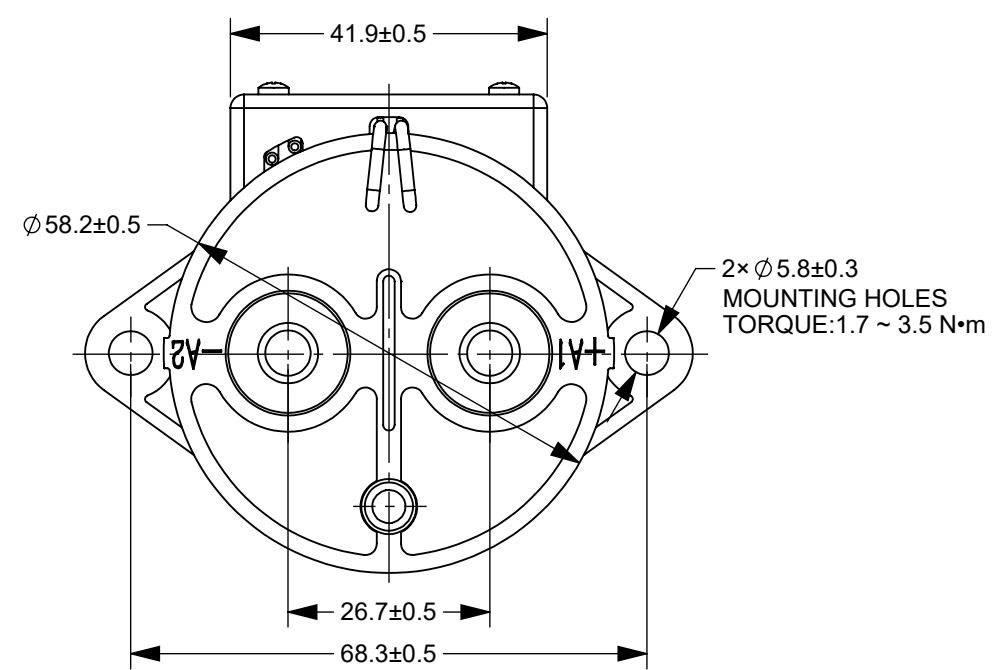
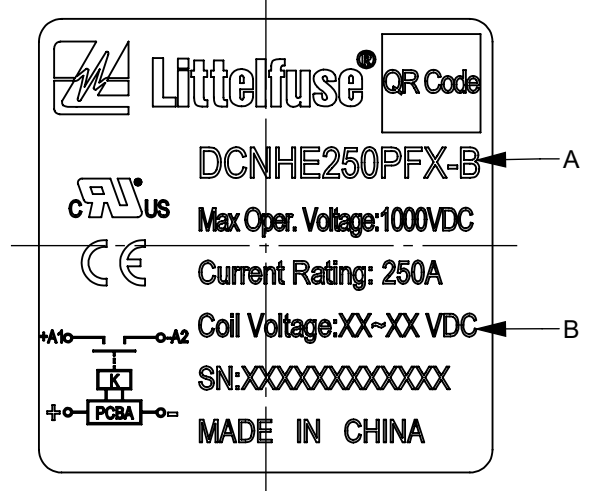
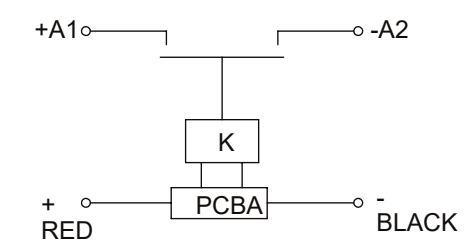


REVISIONS				
ZONE	REV.	DESCRIPTION	DATE	APPROVED
	A	PCO-500000301368 INITIAL RELEASE	AUG./18/2025	D. ZHANG

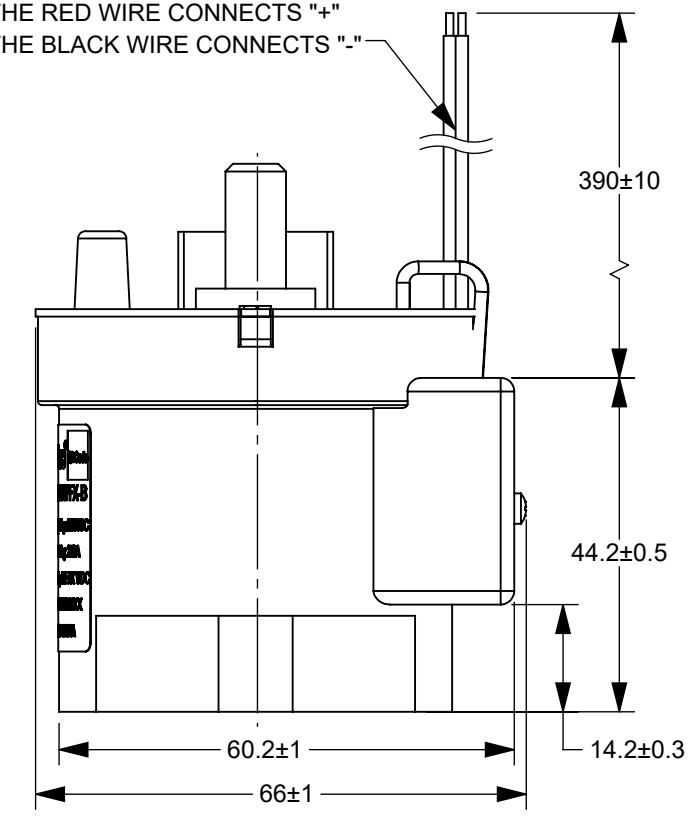
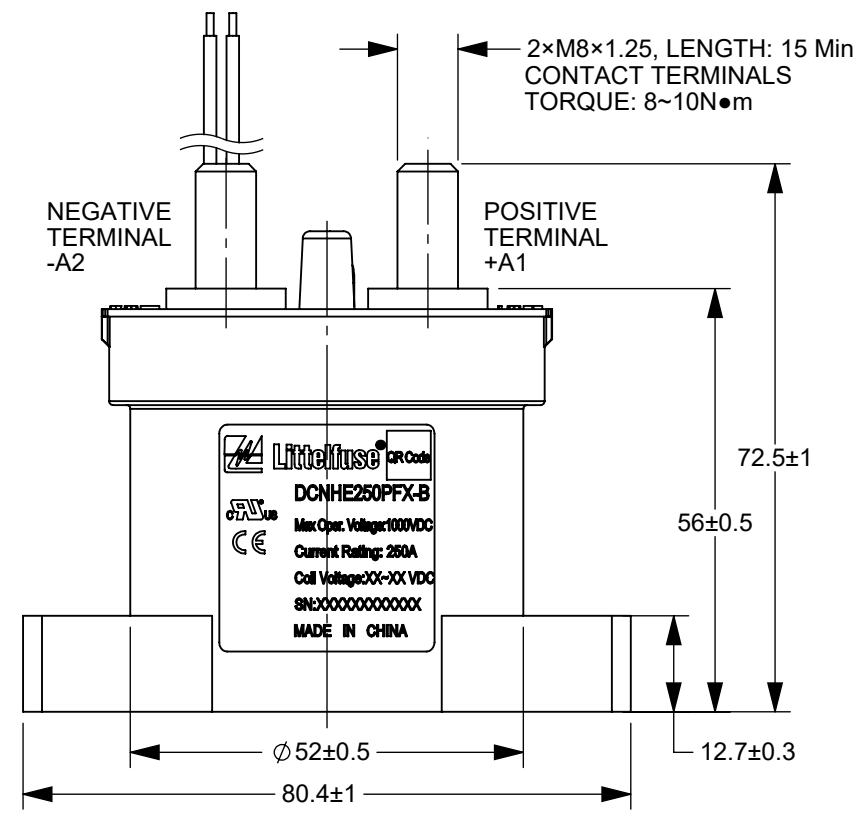


WIRE OF COIL, UL1887 20AWG
THE RED WIRE CONNECTS "+"
THE BLACK WIRE CONNECTS "-"

DCNHE250PF SERIES
SCHEMATIC CIRCUIT DIAGRAM



VIEW 1
SCALE 2:1



PN		DCNHE250PFA-B	DCNHE250PFB-B
MAX. OPERATING VOLTAGE		1,000V DC	
RATED CONTACT CURRENT		250A	
COIL VOLTAGE		12~36V DC	32~95V DC
OPERATING VOLTAGE IN COLD STATE@25°C	PICK-UP	8~9V DC	30~32V DC
	RELEASE	5~7V DC	17~20V DC
STARTING CURRENT@25°C		2.4A@12V DC 2A@24V DC	0.7A@48V DC
HOLDING POWER@25°C		APPROX. 2.5W	
VOLTAGE DROP		≤80mV@250A	
Max. BREAKING CURRENT		2,000A@320V DC, 1CYCLE	
INSULATION RESISTANCE@500V DC (INITIAL)		≥100MΩ	
DIELECTRIC STRENGTH (LEAKAGE CURRENT≤1 mA)	BETWEEN CONTACTS	4,000V AC, 1 MINUTE	
	BETWEEN COIL AND CONTACTS	2,200V AC, 1 MINUTE	
ELECTRIC LIFE (RESISTIVE LOAD)		6,000 CYCLES (250A@450V DC)	
		500 CYCLES (250A@750V DC)	
		1,000 CYCLES (100A@1000V DC)	
MECHANICAL LIFE (NO LOAD, CYCLES)		300,000	

NO.	PN	"A"	"B"	CERTIFICATIONS	REMARK
1	DCNHE250PFA-B	DCNHE250PFA-B	Coil Voltage:12~36VDC	UL,CE	NAMEPLATE:VIEW 1
2	DCNHE250PFB-B	DCNHE250PFA-B	Coil Voltage:32~95VDC	CE	

- NOTES:
- ALL DIMENSIONS ARE REFERENCE ONLY.
 - CONTACTOR PARAMETERS ARE SHOWN IN TABLE 1, CERTIFICATIONS INFORMATION ARE SHOWN IN TABLE 2.
 - SEE TABLE 2 FOR NAME PLATE AND PNs.
 - PRODUCT TYPE: SPST-NO, POLAR CONTACTOR.
 - MATERIALS AND FINISH:
 - HOUSING: THERMOPLASTIC PLASTICS.
 - CONTACTS: SILVER-PLATED COPPER.
 - CONTACT STUDS: SILVER-PLATED COPPER.
 - WEIGHT: ABOUT 450GRAMS.
 - RoHS COMPLIANT.
 - THE COIL AND CONTACTS OF THE CONTACTOR ARE POLAR, SO THE CONNECTION OF THE COIL AND CONTACTS SHOULD BE OPERATED ACCORDING TO THE SCHEMATIC CIRCUIT DIAGRAM.

DIMENSIONS ARE SHOWN IN MILLIMETERS. DIMENSIONS AND TOLERANCES ARE DEFINED ACCORDING TO ANSIS/ASME Y14.5-1994.

PER CHNFPD20-008 PROCEDURE	●	FTI/ FUNCTION CRITICAL CHARACTERISTICS
<S>		SAFETY/ COMPLIANCE CRITICAL CHARACTERISTICS SYMBOL
CPK		DENOTES CPK DIMENSIONS MINIMUM CPK VALUE
(ST)		DENOTES A CHARACTERISTIC THAT PROVIDES AN INDICATION OF PROCESS PERFORMANCE. PROCEDURE FOR MEASUREMENT AND TRACKING TO BE DEFINED IN LITTELFUSE INSPECTION INSTRUCTIONS
CP		DENOTES CP DIMENSIONS. -MINIMUM CP VALUE MUST BE WITHIN THE DIMENSIONAL LIMITATIONS SHOWN ON DRAWING AND INITIALLY LOCATED TO ALLOW FOR MAXIMUM TOOL LIFE

DRAWN	JY. SHI	DATE	MAY./19/2025
CHECKED	V. ZHANG		MAY./16/2025
 Expertise Applied Answers Delivered			
FORM NO. CVP-PE40-0005 REV B		TITLE DCNHE POLAR CONTACTOR	
THIRD ANGLE PROJECTION			
DO NOT SCALE DRAWING	SCALE 1:1	SIZE C	DWG. NO. OL-DCNHE250PFX-B, CHT
			REV. A
			SHEET 1 OF 1