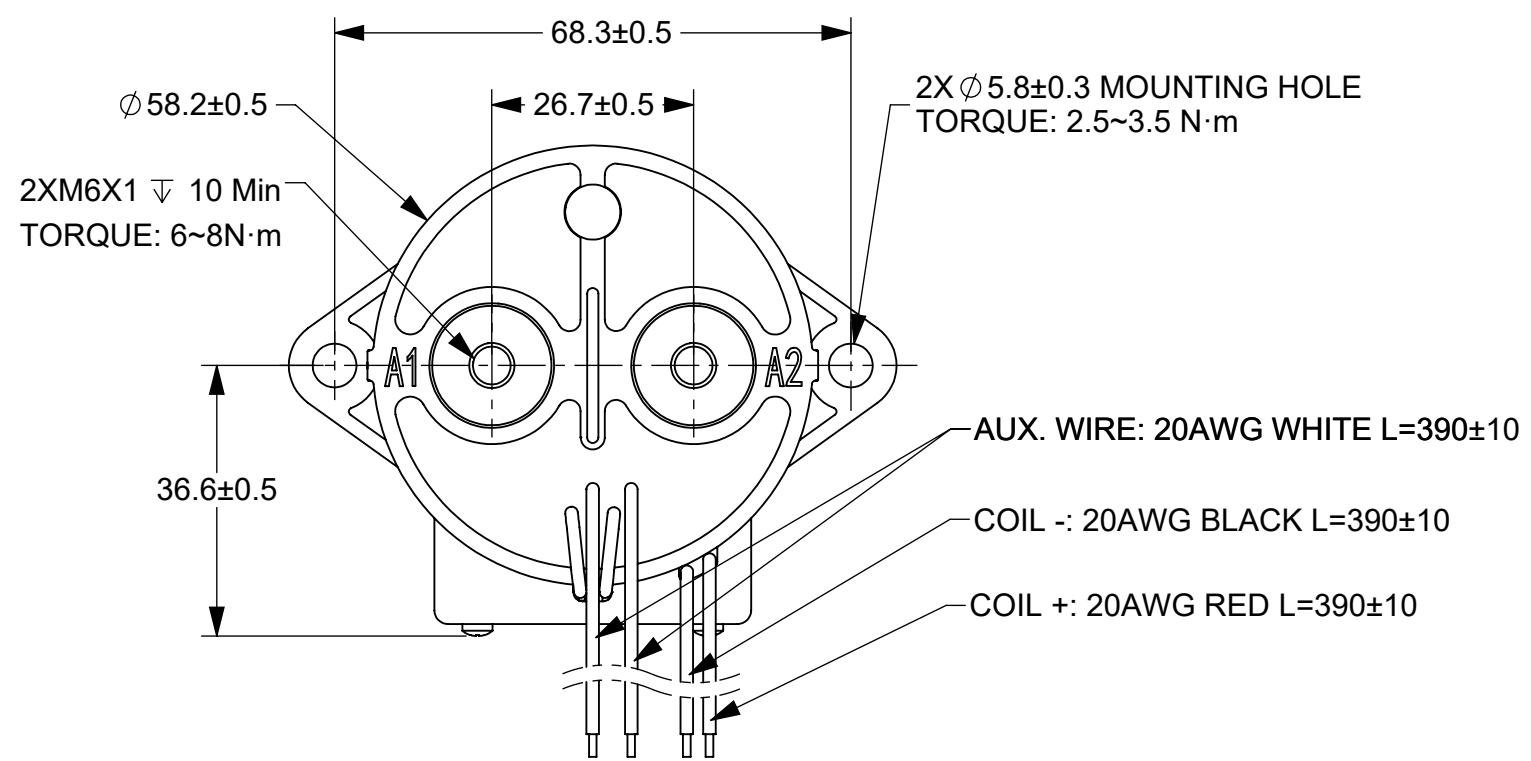
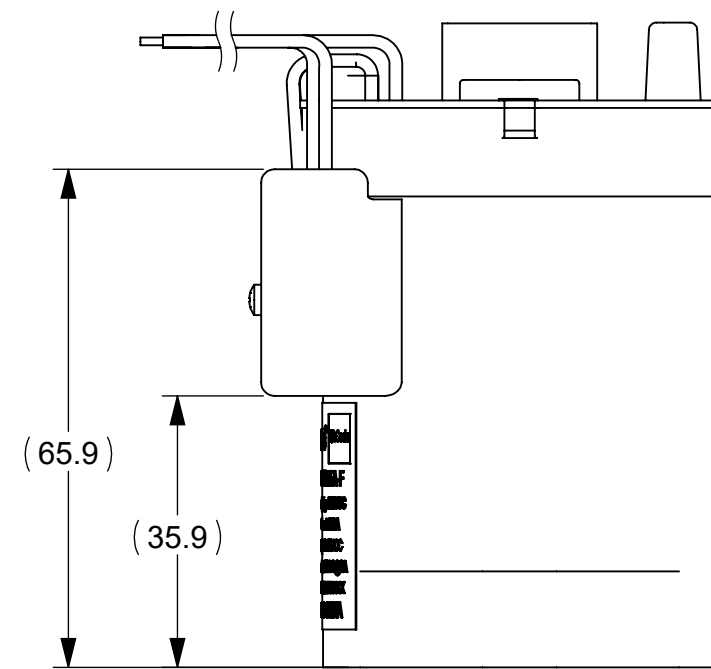
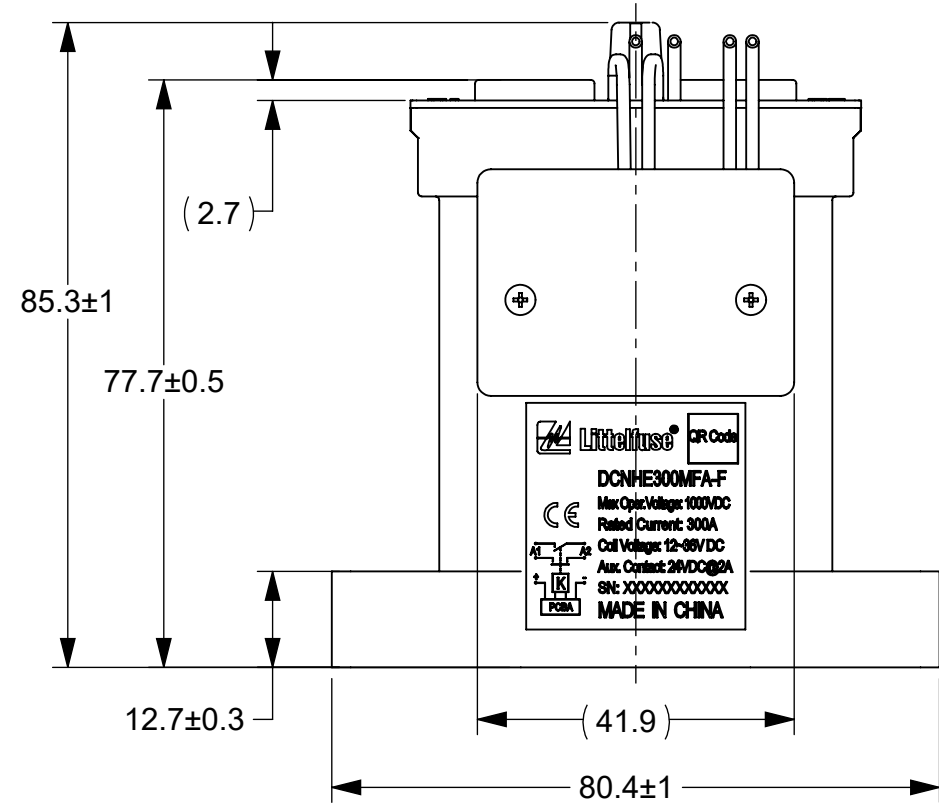
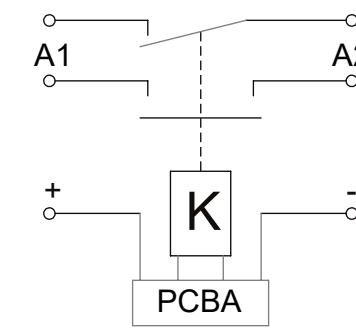


REVISIONS				
ZONE	REV.	DESCRIPTION	DATE	APPROVED
	A	PCO: 5301405, INITIAL RELEASE	08/15/2025	D. ZHANG



ELECTRICAL DIAGRAM



NOTES:

1. ALL SIZES ARE FOR REFERENCE ONLY.
2. MATERIALS AND FINISHED:
 - 2.1 HOUSING: THERMOPLASTIC, UL94-V0.
 - 2.2 CONTACTS: COPPER ALLOY.
3. PRODUCT TECHNICAL PARAMETERS: SEE TABLE 1.
4. MAIN CONTACT ARRANGEMENT: SPST-NO, NON-POLAR.
5. AUX. CONTACT ARRANGEMENT: SPST-NO.
6. CERTIFICATIONS: CE.
7. RoHS AND REACH COMPLIANT.
8. APPROX WEIGHT 650g.

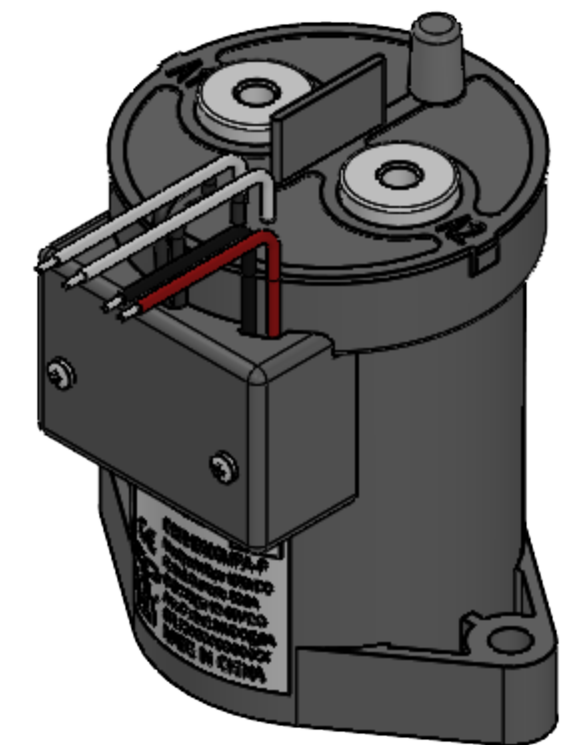


TABLE 1: ENGINEERING DESIGN DATA

ITEM		DATA
RATED COIL VOLTAGE		12~36 VDC
STARTING POWER(25°C)		MAX 50W
HOLDING POWER(25°C)		4W
OPERATING VOLTAGE IN COLD STATE AT 25°C	OPERATE	8~9 VDC
	RELEASE	5.5~7 VDC
OPERATE TIME		MAX 35ms
RELEASE TIME		MAX 10ms
MAIN CONTACT VOLTAGE DROP		120mV@300A
DIELECTRIC STRENGTH (LEAKAGE CURRENT ≤1 mA)		BETWEEN THE CONTACT AND CONTACT: 4000V AC, 50Hz/60Hz, 1min. BETWEEN THE CONTACT AND COIL: 2200V AC, 50Hz/60Hz, 1min.
INSULATION RESISTANCE		100MΩ@1000 VDC
CONTACT VOLTAGE RANGE		12 VDC~1000 VDC
CONTACT CONTINUE CURRENT		300A(500A WITH 400MCM CABLE)
OPERATING TEMP		-40 °C ~ +85 °C
MAX. BREAKING CURRENT		2500A@320VDC, 1CYCLE
ELECTRICAL LIFE (RESISTIVE LOAD)		1000 CYCLES (150A @ 1000V DC); 3000 CYCLES (300A @ 450V DC)
MECHANICAL LIFE		300, 000 CYCLES

DIMENSIONS ARE SHOWN IN MILLIMETERS. DIMENSIONS AND TOLERANCES ARE DEFINED ACCORDING TO ANSI/ASME Y14.5-1994.		
●	FIT/ FUNCTION CRITICAL CHARACTERISTICS	
<S>	SAFETY/ COMPLIANCE CRITICAL CHARACTERISTICS SYMBOL	
CPK	DENOTES CPK DIMENSIONS MINIMUM CPK VALUE	
(ST)	DENOTES A CHARACTERISTIC THAT PROVIDES AN INDICATION OF PROCESS PERFORMANCE. PROCEDURE FOR MEASUREMENT AND TRACKING TO BE DEFINED IN LITTELFUSE INSPECTION INSTRUCTIONS	
CP	DENOTES CP DIMENSIONS. -MINIMUM CP VALUE MUST BE WITHIN THE DIMENSIONAL LIMITATIONS SHOWN ON DRAWING AND INITIALLY LOCATED TO ALLOW FOR MAXIMUM TOOL LIFE	
PER CHNFPD20-008 PROCEDURE		
DRAWN	NAME: MJ. DAI	DATE: 08/16/2025
CHECKED	D. ZHANG	08/16/2025
<p>Expertise Applied Answers Delivered</p>		
FORM NO. CVP-PE40-0005 REV B		
THIRD ANGLE PROJECTION		
TITLE: DC CONTACTOR 300A		
DO NOT SCALE DRAWING	SCALE 1:1	SHEET 1 OF 1