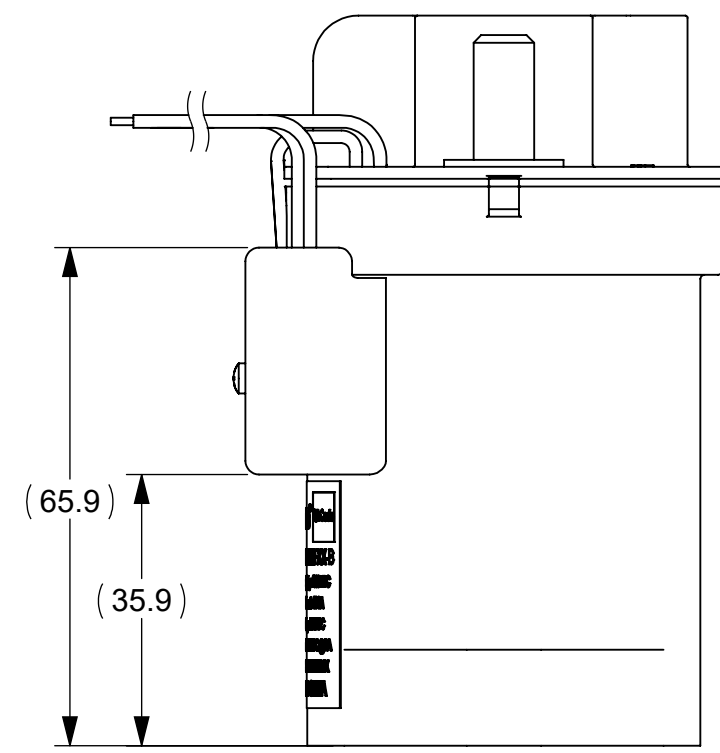
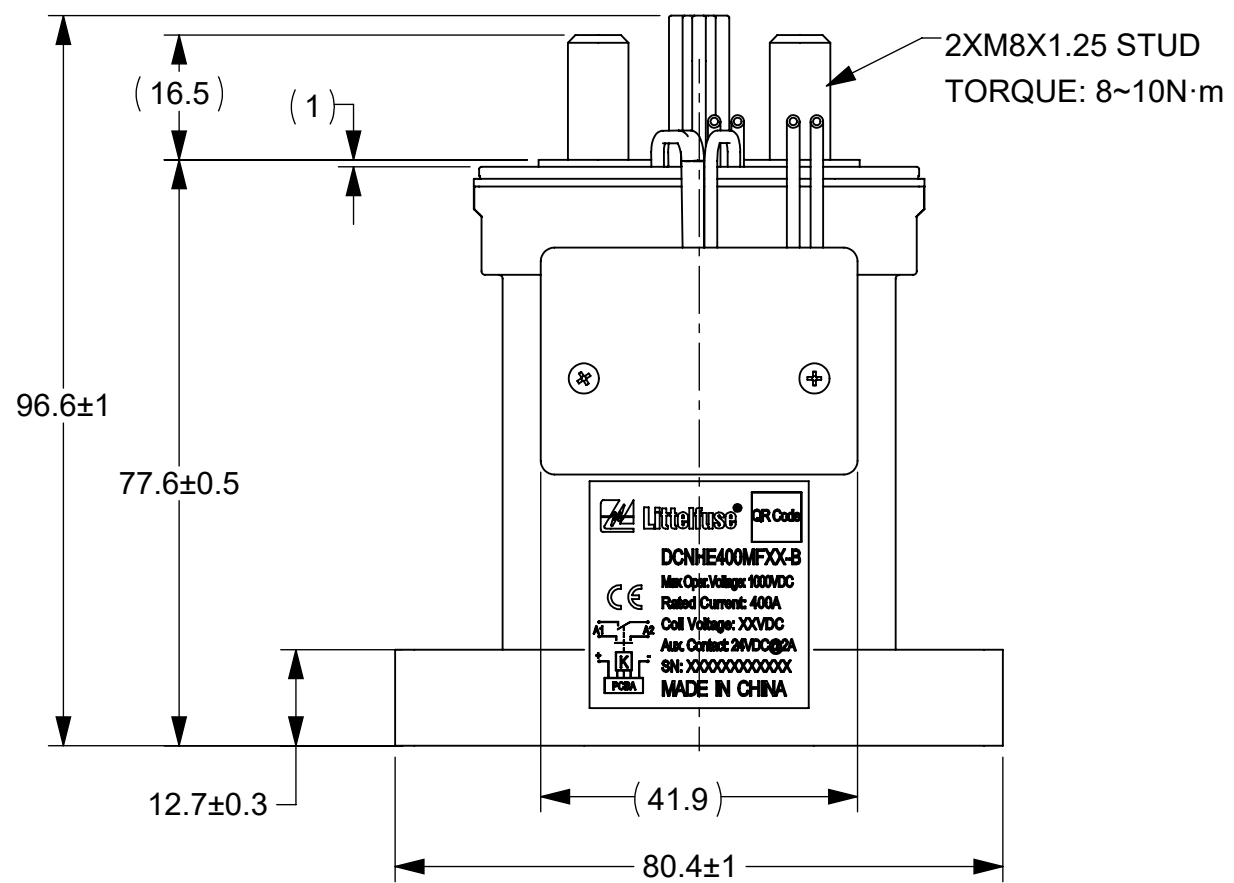
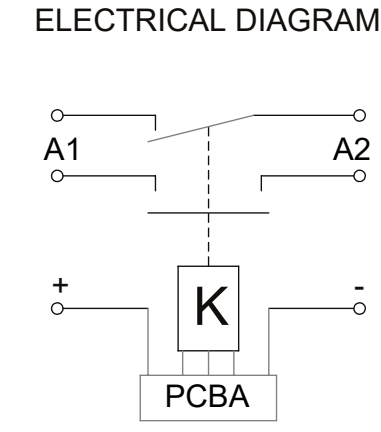
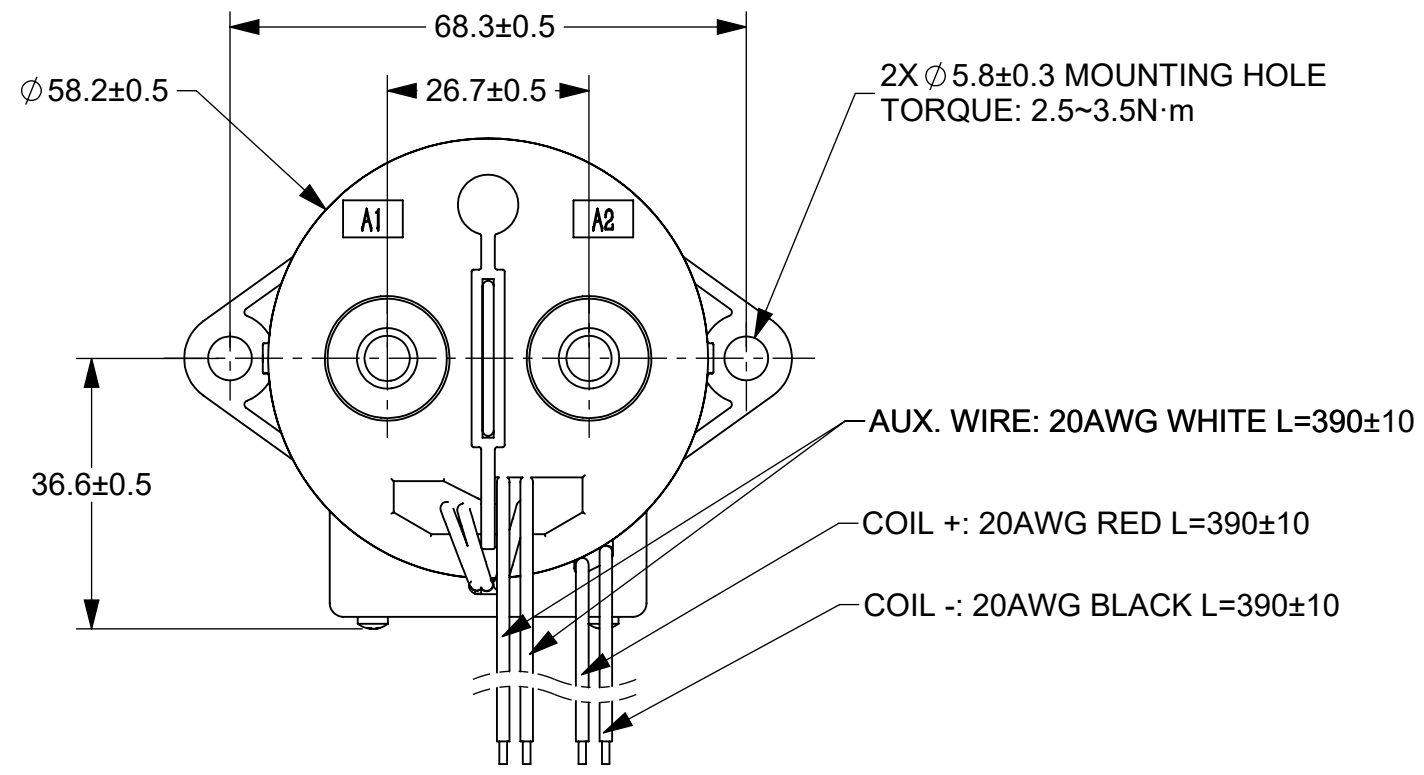


REVISIONS				
ZONE	REV.	DESCRIPTION	DATE	APPROVED
	A	PCO: 5301405, INITIAL RELEASE	08/15/2025	D. ZHANG



- NOTES:
- ALL SIZES ARE FOR REFERENCE ONLY.
  - MATERIALS AND FINISHED:
    - HOUSING: THERMOPLASTIC, UL94-V0.
    - CONTACTS: COPPER ALLOY.
  - PRODUCT TECHNICAL PARAMETERS: SEE TABLE 1.
  - MAIN CONTACT ARRANGEMENT: SPST-NO, NON-POLAR.
  - AUX. CONTACT ARRANGEMENT: SPST-NO.
  - CERTIFICATIONS: CE.
  - RoHS AND REACH COMPLIANT.
  - APPROX WEIGHT 650g.

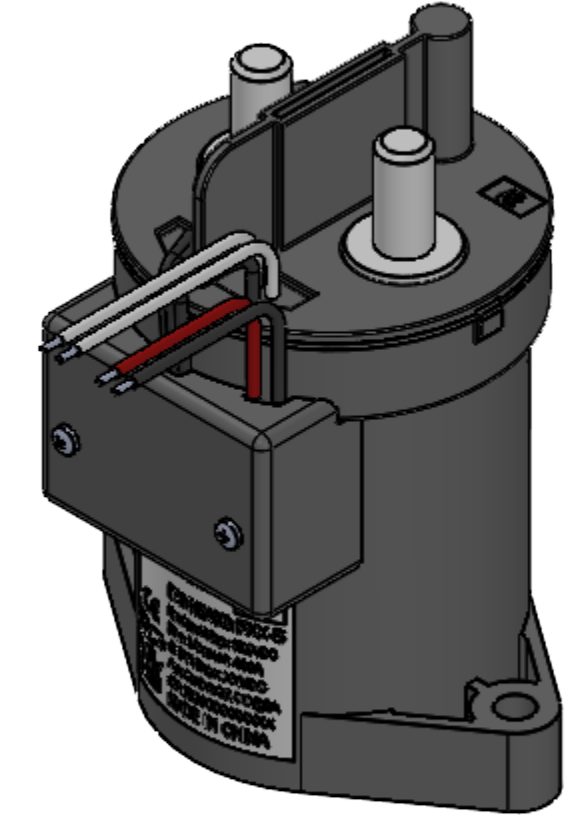


TABLE 1: ENGINEERING DESIGN DATA

ITEM	DATA	
	DCNHE400MF12-B	DCNHE400MF24-B
RATED COIL VOLTAGE	12 VDC	24 VDC
STARTING CURRENT(25°C)	MAX 3.8A	MAX 2.2A
HOLDING POWER(25°C)	6W	6W
OPERATING VOLTAGE IN COLD STATE AT 25°C	OPERATE	MAX 9 VDC
	RELEASE	MIN 1.2 VDC
OPERATE TIME	MAX 35ms	
RELEASE TIME	MAX 10ms	
MAIN CONTACT VOLTAGE DROP	160mV@400A	
DIELECTRIC STRENGTH (LEAKAGE CURRENT ≤1 mA)	BETWEEN THE CONTACT AND CONTACT: 4000V AC, 50Hz/60Hz, 1min. BETWEEN THE CONTACT AND COIL: 2200V AC, 50Hz/60Hz, 1min.	
INSULATION RESISTANCE	100MΩ@1000 VDC	
CONTACT VOLTAGE RANGE	12 VDC~1000 VDC	
CONTACT CONTINUE CURRENT	400A(500A WITH 400MCM CABLE)	
OPERATING TEMP	-40 °C ~ +85 °C	
MAX. BREAKING CURRENT	2500A@320VDC, 1CYCLE	
ELECTRICAL LIFE (RESISTIVE LOAD)	1000 CYCLES (100A @ 1000V DC); 2400 CYCLES (400A @ 450V DC); 6000 CYCLES (300A @ 450V DC)	
MECHANICAL LIFE	300, 000 CYCLES	

PER CHNFPD20-008 PROCEDURE

- FIT/ FUNCTION CRITICAL CHARACTERISTICS
- <S> SAFETY/ COMPLIANCE CRITICAL CHARACTERISTICS SYMBOL
- CPK DENOTES CPK DIMENSIONS MINIMUM CPK VALUE
- (ST) DENOTES A CHARACTERISTIC THAT PROVIDES AN INDICATION OF PROCESS PERFORMANCE PROCEDURE FOR MEASUREMENT AND TRACKING TO BE DEFINED IN LITTELFUSE INSPECTION INSTRUCTIONS
- CP DENOTES CP DIMENSIONS. MINIMUM CP VALUE MUST BE WITHIN THE DIMENSIONAL LIMITATIONS SHOWN ON DRAWING AND INITIALLY LOCATED TO ALLOW FOR MAXIMUM TOOL LIFE

NAME	DATE
DRAWN MJ. DAI	08/16/2025
CHECKED D. ZHANG	08/16/2025

**Littelfuse**  
Expertise Applied | Answers Delivered

FORM NO. CVP-PE40-0005 REV B  
THIRD ANGLE PROJECTION

TITLE: DC CONTACTOR 400A

SIZE: C DWG. NO.: OL-DCNHE400MFXX-B, CHART A  
DO NOT SCALE DRAWING SCALE: 1:1 SHEET 1 OF 1