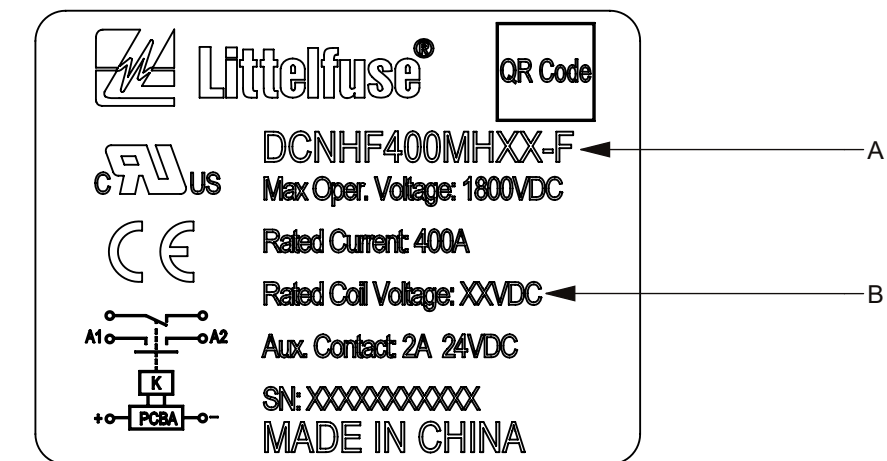
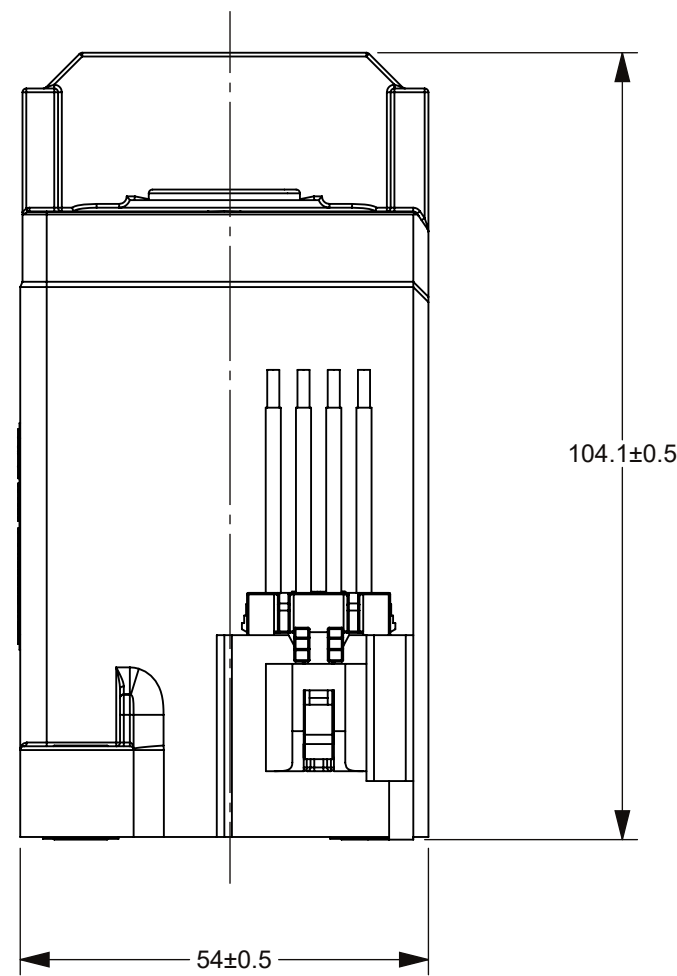
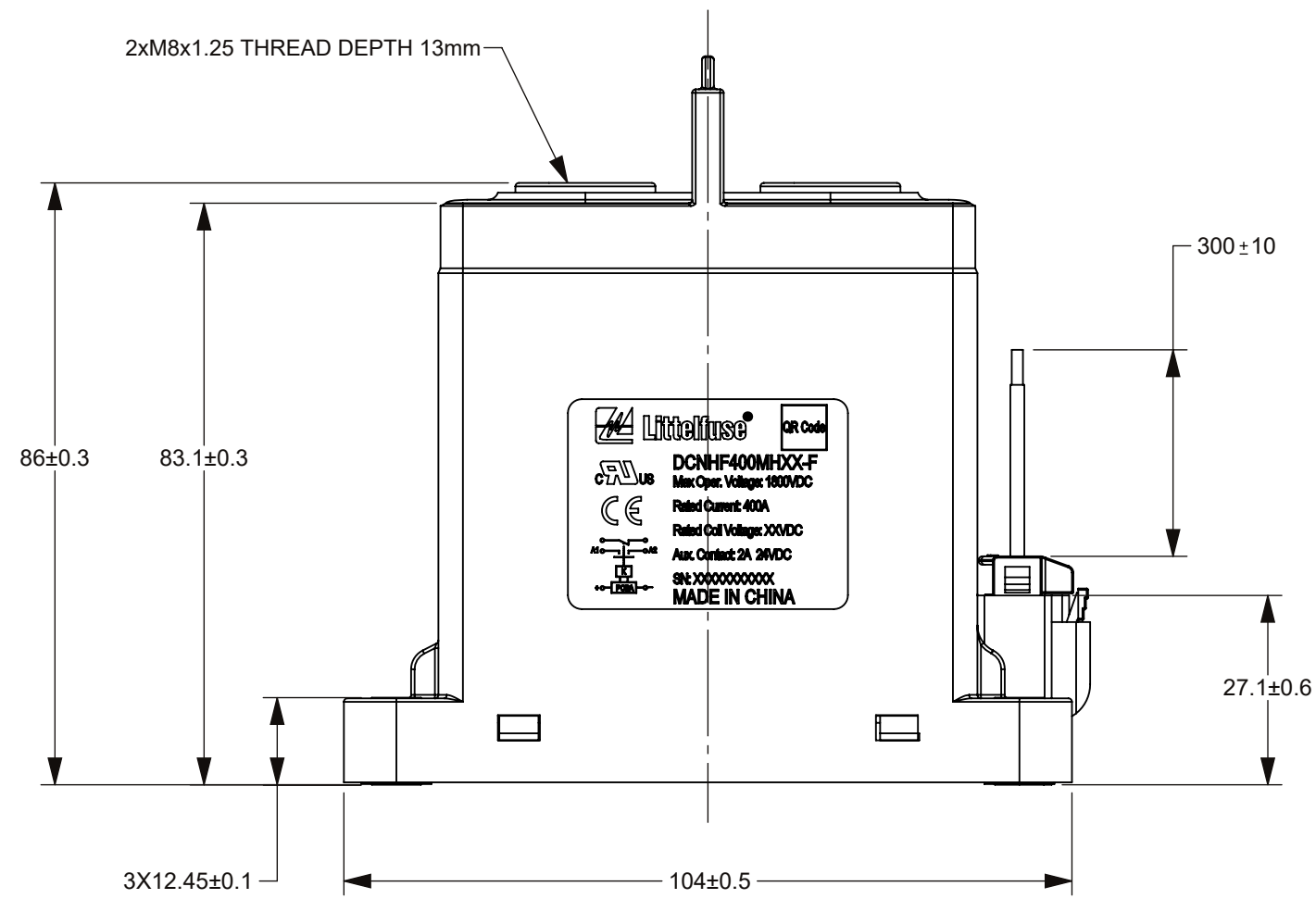
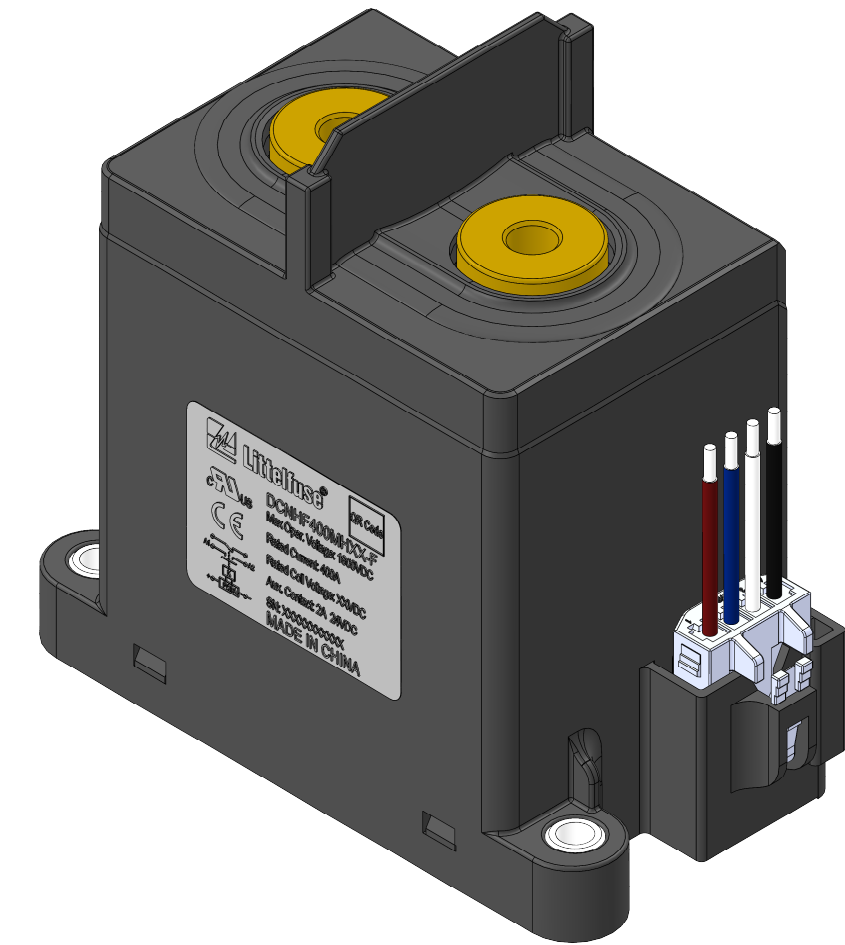
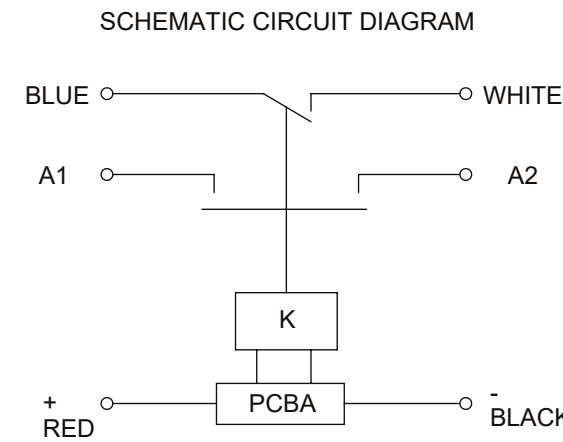
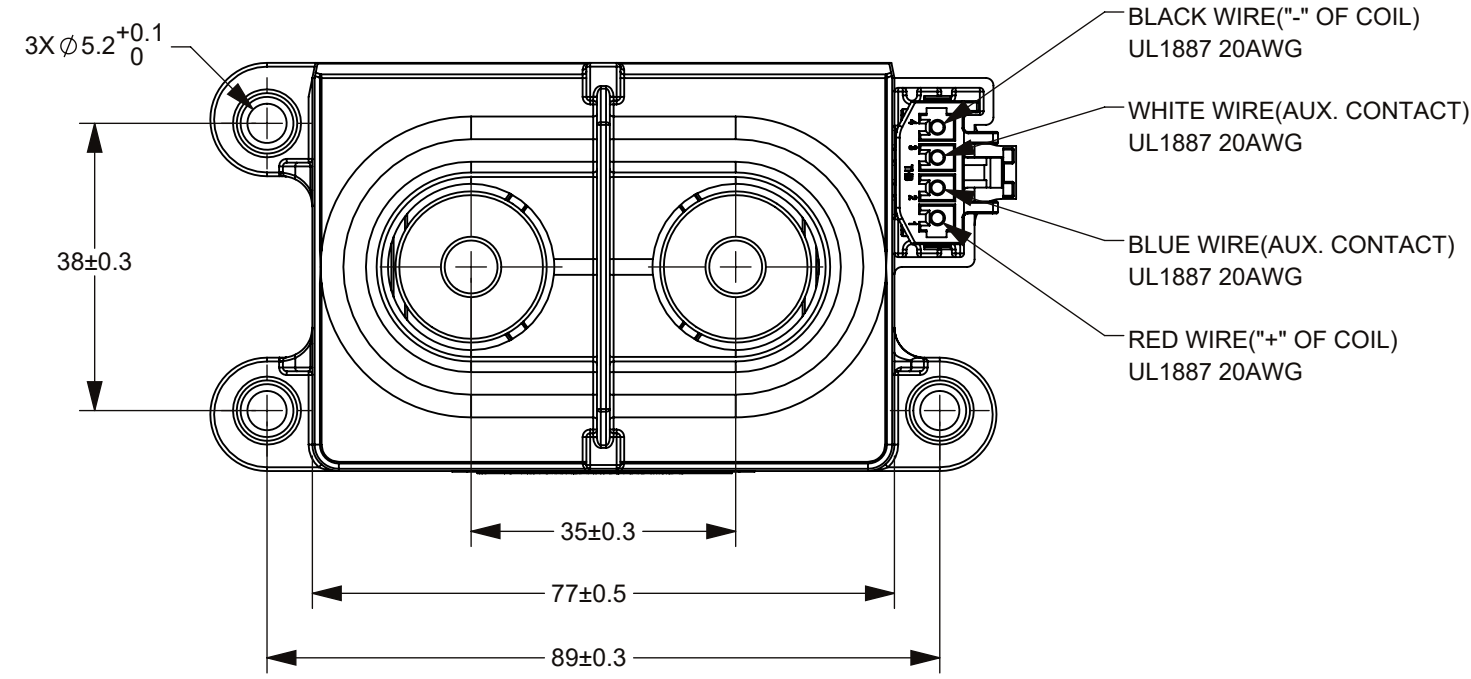


REVISIONS				
ZONE	REV.	DESCRIPTION	DATE	APPROVED
	A	PCO-500000301378 INITIAL RELEASE	JUN./03/2025	D. ZHANG



NO.	"A"	"B"	REMARK
1	DCNH400MH12-F	12VDC	NAMEPLATE(VIEW1)
2	DCNH400MH24-F	24VDC	

VIEW 1
SCALE 2:1

PART NUMBER		DCNH400MH12-F	DCNH400MH24-F
Max. SWITCHING VOLTAGE		1,800V DC	
RATED CONTACT CURRENT		400A	
OPERATING VOLTAGE IN COLD STATE @ 25°C	COIL VOLTAGE	12V DC	24V DC
	MAX. VOLTAGE	16V DC	32V DC
	COIL POWER	Starting:50W(0.3s connection) ;Holding:5W	
	PICK-UP	≤9V	≤18V
	DROP-OUT	≥1V	≥2V
MAIN CONTACT VOLTAGE DROP		≤80mV@400A	
INSULATION RESISTANCE @ 1,000 VDC (INITIAL)		≥1,000MΩ	
DIELECTRIC STRENGTH	Between open contacts	3,000V AC, 1 MINUTE, LEAKAGE CURRENT≤1 mA	
	Between contacts and coil	3,000V AC, 1 MINUTE, LEAKAGE CURRENT≤1 mA	
MAX BREAK CAPABILITY		2,000A@1000V DC, 1CYCLE	
ELECTRIC LIFE (RESISTIVE LOAD)		1000 CYCLES (400A @ 1,000V DC)	
		6000 CYCLES (100A @ 1,800V DC)	
MECHANICAL LIFE (NO LOAD, CYCLES)		200,000	

- NOTES:
- ALL DIMENSIONS ARE REFERENCE ONLY.
 - SEE TABLE 2 FOR NAME PLATE AND PNs.
 - PRODUCT TYPE: SPST-NO, NON-POLAR CONTACTOR WITH AUXILIARY CONTACT; AUXILIARY TYPE: SPST-NO.
 - MATERIALS AND FINISH:
 - HOUSING: THERMOPLASTIC PLASTICS.
 - CONTACTS: COPPER ALLOY.
 - CONTACT STUDS: PURE COPPER.
 - WEIGHT: ABOUT 800GRAMS.
 - MAIN CONTACT M8 STUD, TORQUE: 9~11N·m.
 - MOUNTING: M5 BOLT, RECOMMENDED TORQUE 3 N·m ~ 4 N·m.
 - RoHS COMPLIANT.
 - THE COIL OF THE CONTACTOR IS POLAR, SO THE CONNECTION OF THE COIL AND CONTACT SHOULD BE OPERATED ACCORDING TO THE SCHEMATIC CIRCUIT DIAGRAM.

DIMENSIONS ARE SHOWN IN MILLIMETERS. DIMENSIONS AND TOLERANCES ARE DEFINED ACCORDING TO ANSIA5ME Y14.5-1994.	
●	FTI/ FUNCTION CRITICAL CHARACTERISTICS
<S>	SAFETY/ COMPLIANCE CRITICAL CHARACTERISTICS SYMBOL
CPK	DENOTES CPK DIMENSIONS MINIMUM CPK VALUE
(ST)	DENOTES A CHARACTERISTIC THAT PROVIDES AN INDICATION OF PROCESS PERFORMANCE PROCEDURE FOR MEASUREMENT AND TRACKING TO BE DEFINED IN LITTELFUSE INSPECTION INSTRUCTIONS
CP	DENOTES CP DIMENSIONS. MINIMUM CP VALUE MUST BE WITHIN THE DIMENSIONAL LIMITATIONS SHOWN ON DRAWING AND INITIALLY LOCATED TO ALLOW FOR MAXIMUM TOOL LIFE
NAME	DATE
DRAWN V. ZHANG	JUN./03/2025
CHECKED JY. SHI	JUN./03/2025
FORM NO. CVP-PE40-0005 REV B	
THIRD ANGLE PROJECTION	
DO NOT SCALE DRAWING	SCALE 1:1
Expertise Applied Answers Delivered	
TITLE DCNH400 400A NON-POLAR CONTACTOR WITH AUXILIARY	
SIZE C	DWG. NO. OL-DCNH400MHXX-F,CHT
REV. A	REV. A
SHEET 1 OF 1	