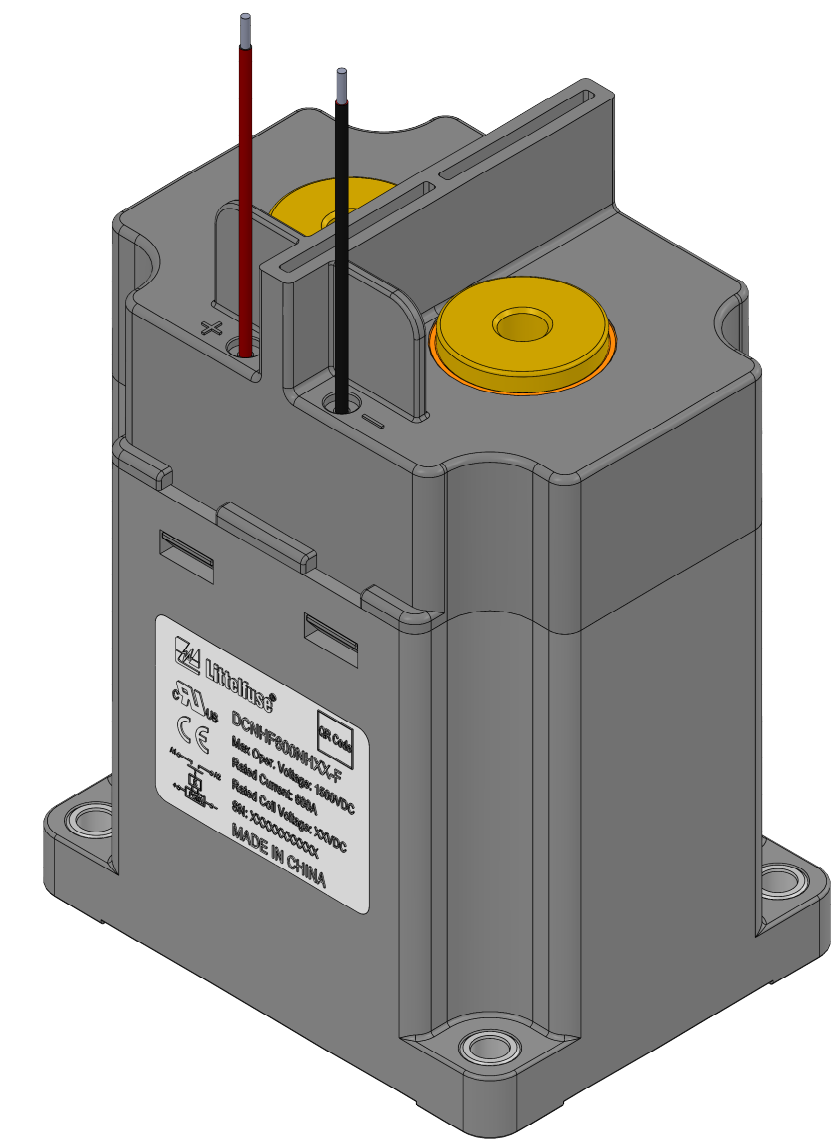
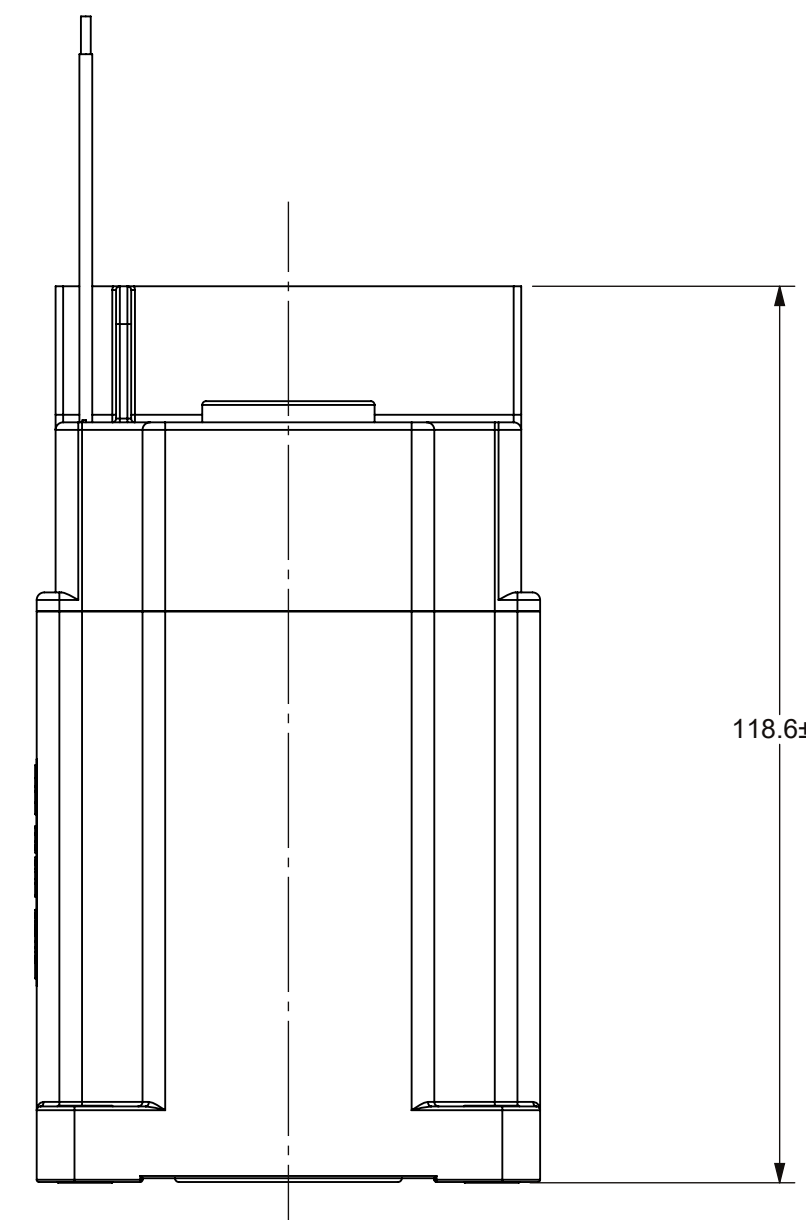
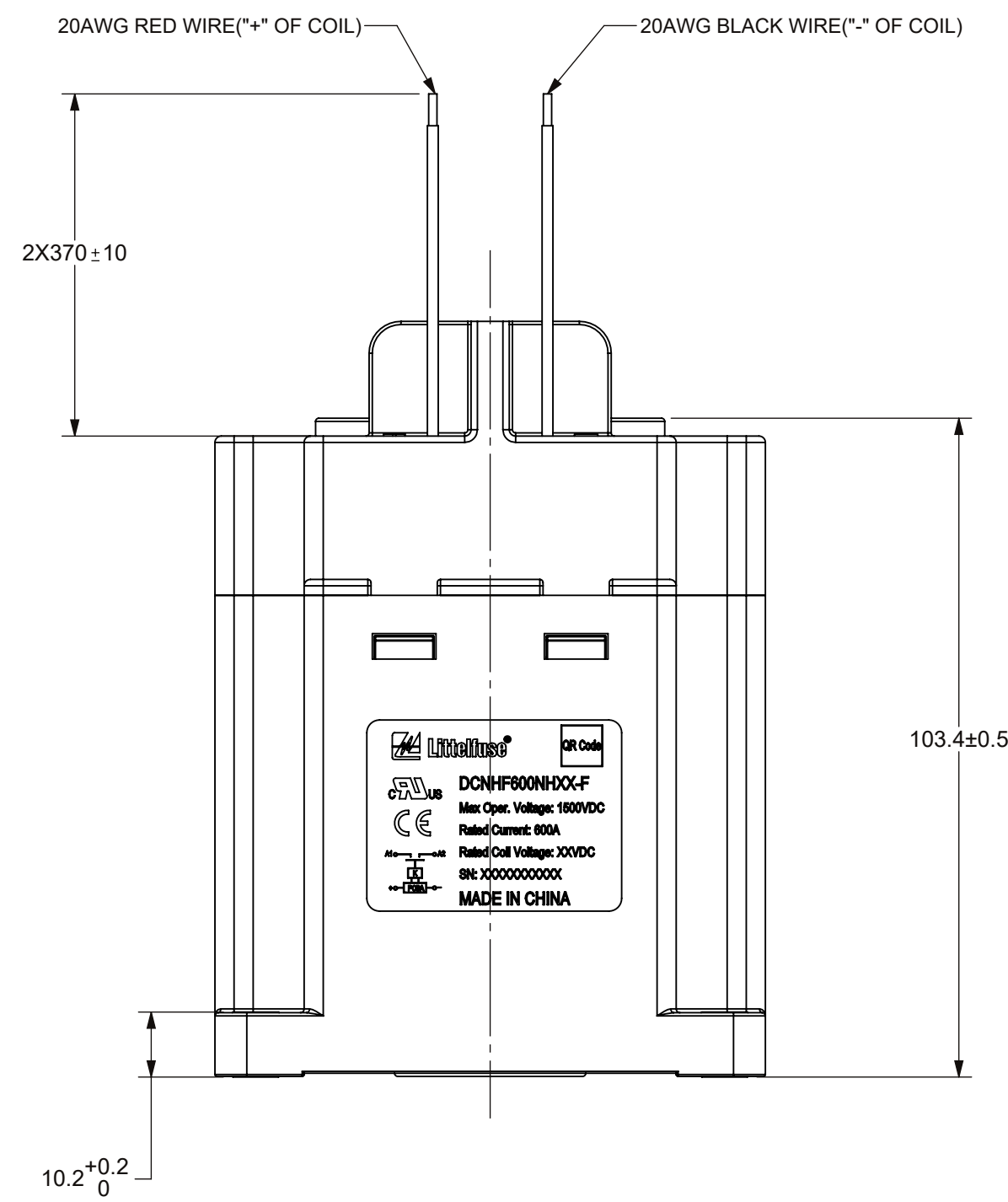
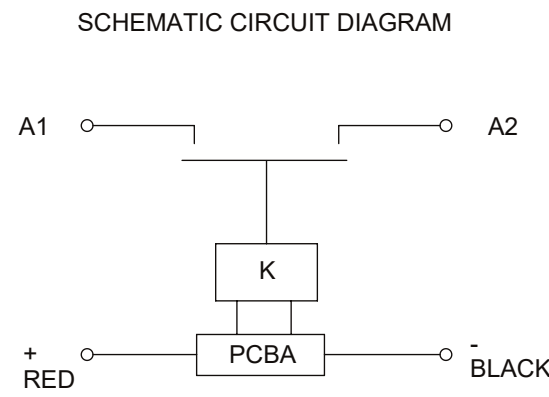
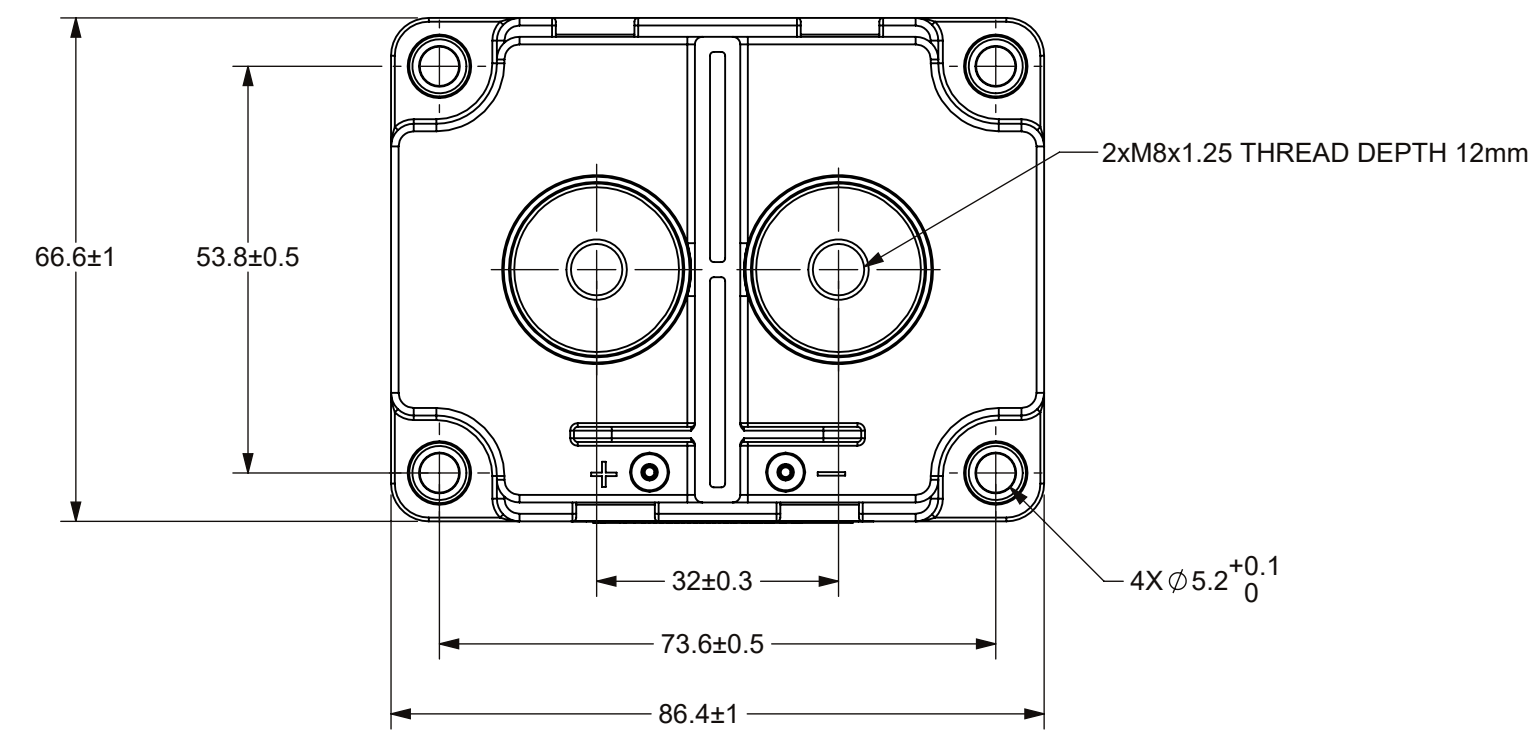
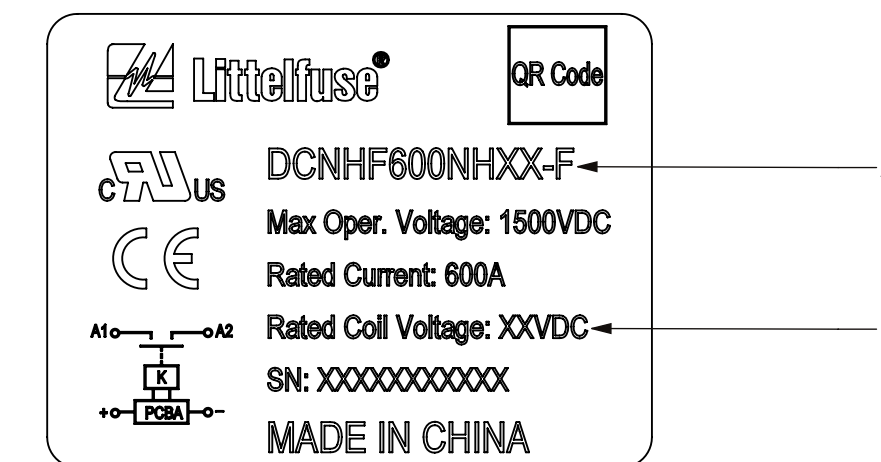


REVISIONS				
ZONE	REV.	DESCRIPTION	DATE	APPROVED
A		PCO-50000301400 INITIAL RELEASE	MAY/30/2025	D. ZHANG



NO.	"A"	"B"	REMARK
1	DCNHF600NH12-F	12VDC	NAMEPLATE(VIEW1)
2	DCNHF600NH24-F	24VDC	NAMEPLATE(VIEW1)



VIEW 1
SCALE 2:1

PART NUMBER	DCNHF600NH12-F	DCNHF600NH24-F
Max. SWITCHING VOLTAGE	1,500V DC	
RATED CONTACT CURRENT	600A	
OPERATING VOLTAGE IN COLD STATE @ 25°C	COIL VOLTAGE	12V DC 24V DC
	MAX. VOLTAGE	16V DC 32V DC
	COIL POWER	Starting: 50W(0.2s connection) ,Holding: 9W
	PICK-UP	≤8V ≤16V
	DROP-OUT	≥4.5V ≥9V
MAIN CONTACT VOLTAGE DROP	≤180mV@600A	
INSULATION RESISTANCE @ 1,500 VDC (INITIAL)	≥1,000MΩ	
DIELECTRIC STRENGTH	Between open contacts	3,000V AC, 1 MINUTE, LEAKAGE CURRENTS≤1 mA
	Between contacts and coil	4,000V AC, 1 MINUTE, LEAKAGE CURRENTS≤1 mA
MAX BREAK CAPABILITY	2,500A@800V DC, 1CYCLE	
ELECTRIC LIFE (RESISTIVE LOAD)	6000 CYCLES (100A @ 1000V DC)	
	100 CYCLES (600A @ 1000V DC)	
	50 CYCLES (300A @ 1500V DC)	
MECHANICAL LIFE (NO LOAD, CYCLES)	200,000	

- NOTES:
- ALL DIMENSIONS ARE REFERENCE ONLY.
 - SEE TABLE 2 FOR NAME PLATE AND PINS.
 - PRODUCT TYPE: SPST-NO, NON-POLAR CONTACTOR.
 - MATERIALS AND FINISH:
 - HOUSING: THERMOPLASTIC PLASTICS.
 - CONTACTS: COPPER ALLOY.
 - CONTACT STUDS: PURE COPPER.
 - WEIGHT: ABOUT 1100 GRAMS.
 - MAIN CONTACT M8 STUD, TORQUE: 9-11N·m.
 - MOUNTING: M5 BOLT, RECOMMENDED TORQUE 3 N·m ~ 4 N·m.
 - RoHS COMPLIANT.
 - THE COIL OF THE CONTACTOR IS POLAR, SO THE CONNECTION OF THE COIL AND CONTACT SHOULD BE OPERATED ACCORDING TO THE SCHEMATIC CIRCUIT DIAGRAM.

DIMENSIONS ARE SHOWN IN MILLIMETERS. DIMENSIONS AND TOLERANCES ARE DEFINED ACCORDING TO ANSI/ASME Y14.5-1994.			
FIT/FUNCTION CRITICAL CHARACTERISTICS			
SAFETY COMPLIANCE CRITICAL CHARACTERISTICS SYMBOL			
<S>	CPK DENOTES CPK DIMENSIONS MINIMUM CPK VALUE		
(ST)	DENOTES A CHARACTERISTIC THAT PROVIDES AN INDICATION OF PROCESS PERFORMANCE PROCEDURE FOR MEASUREMENT AND TRACKING TO BE DEFINED IN LITTELFUSE INSPECTION INSTRUCTIONS		
CP	DENOTES CP DIMENSIONS. MINIMUM CP VALUE MUST BE WITHIN THE DIMENSIONAL LIMITATIONS SHOWN ON DRAWING AND INITIALLY LOCATED TO ALLOW FOR MAXIMUM TOOL LIFE.		
NAME	DATE	Littelfuse	
DRAWN: V. ZHANG	MAY/30/2025	Expertise Applied Answers Delivered	
CHECKED: JF. SHI	MAY/30/2025	TITLE: DCNHF 600A NON-POLAR CONTACTOR	
FORM NO. CVP-F66-020 REV. A			
THIRD ANGLE PROJECTION			
SCALE: 1:1	DWG. NO. OL-DCNHF600NHXX-F.CHT	REV. A	SHEET 1 OF 1